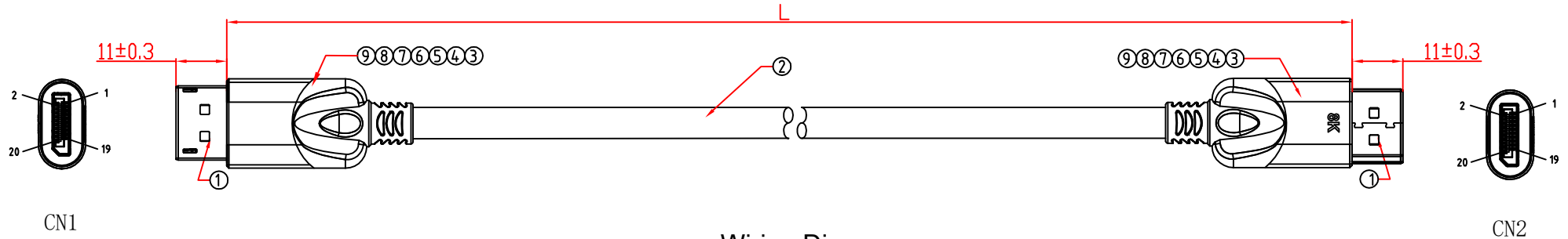


REV	DESCRIPTION	DATE



Wiring Diagram

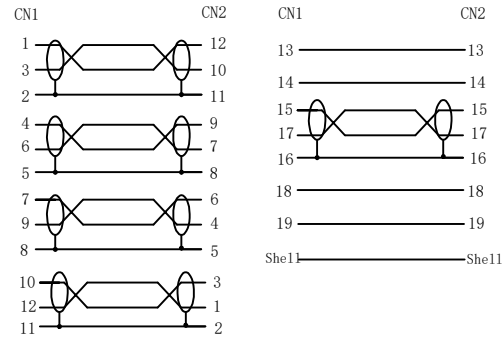


Figure No.	Length	Tolerance
CG635-0.5	500mm	±20
CG635-1.0	1000mm	±20
CG635-1.5	1500mm	±20
CG635-2.0	2000mm	±20

1. Electrical Testing

- (1). 100% open circuit, short circuit and misalignment test;
 - (2). Insulation impedance: DC voltage 300V impedance 10MΩMIN;
 - (3). Conduction impedance: 5Ω;
 - (4). Hi-pot test: AC 200V/S, 1mA ;
2. The products meet the requirements of ROHS, the company's environmental substance management standard.
3. 100% Computer + display/TV 7680*4320/60HZ test .

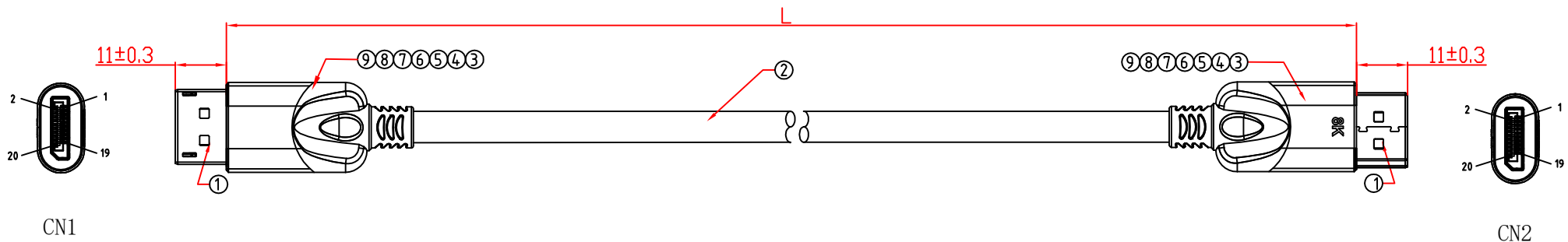
⑨	SHELL	Silver white aluminum alloy shell	2PCS
⑧	COPPER FOIL	Double-sided conductive copper foil	/m
⑦	SHIELDING SHELL	DP Lower shield shell	2PCS
⑥	SHIELDING SHELL	DP Upper shield shell	2PCS
⑤	COMPOUND	PVC 45P Black Compound	/KG
④	COMPOUND	PE Compound, Transparent color	/KG
③	WIRE CLIP	DP wire clip 30AWG Black PBT	2PCS
②	CABLE	(30AWG*1P+D+AL/ML)*5P+30AWG*4C+AL+D+B Black matte + black cotton mesh braid	/M
①	CONNECTOR	Gold-plated black rubber core in DP cardless iron case	2PCS
NO	NAME	Material Description	Usage



VCOM International Ltd.

TITLE	DP1.4V 20P A/M TO 20P A/M	CUSTOMER	UNIT	mm	PAGE:1of1
PART NO.		CUSTOMER NO.			
PRODUCT NO.	CG635	REV	A/0	DATE	2022-12-8
DRAWN BY: CHEN		CHECKED BY:		APPROVED BY: XIANG	

REV	DESCRIPTION	DATE



Wiring Diagram

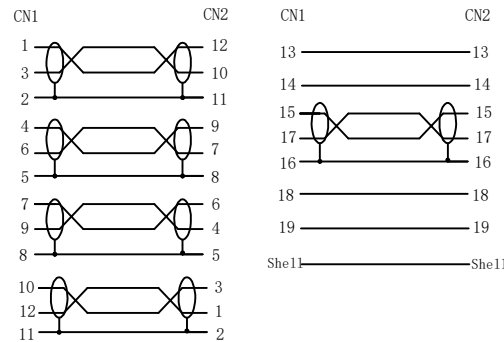


Figure No.	Length	Tolerance
CG635-3.0	3000mm	±30

1. Electrical Testing

- 100% open circuit, short circuit and misalignment test;
 - Insulation impedance: DC voltage 300V impedance 10MΩMIN;
 - Conduction impedance: 5Ω;
 - Hi-pot test: AC 200V/S, 1mA ;
2. The products meet the requirements of ROHS, the company's environmental substance management standard.
3. 100% Computer + display/TV 7680*4320/60HZ & 3840*2160/144HZ test .

⑨	SHELL	Silver white aluminum alloy shell	2PCS
⑧	COPPER FOIL	Double-sided conductive copper foil	/m
⑦	SHIELDING SHELL	DP Lower shield shell	2PCS
⑥	SHIELDING SHELL	DP Upper shield shell	2PCS
⑤	COMPOUND	PVC 45P Black Compound	/KG
④	COMPOUND	PE Compound, Transparent color	/KG
③	WIRE CLIP	DP wire clip 30AWG Black PBT	2PCS
②	CABLE	(28AWG*1P+D30AWG*1C)*5P+30AWG*5C+ADB Black and gray mesh Braid	/M
①	CONNECTOR	Gold-plated black rubber core in DP cardless iron case	2PCS
NO	NAME	Material Description	Usage



VCOM International Ltd.

TITLE	DP1.4V 20P A/M TO 20P A/M	CUSTOMER	UNIT	mm	PAGE:1of1
PART NO.		CUSTOMER NO.			
PRODUCT NO.	CG635-3.0	REV	A/0	DATE	2022-12-8
DRAWN BY: CHEN	CHECKED BY:	APPROVED BY: XIANG			