

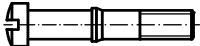


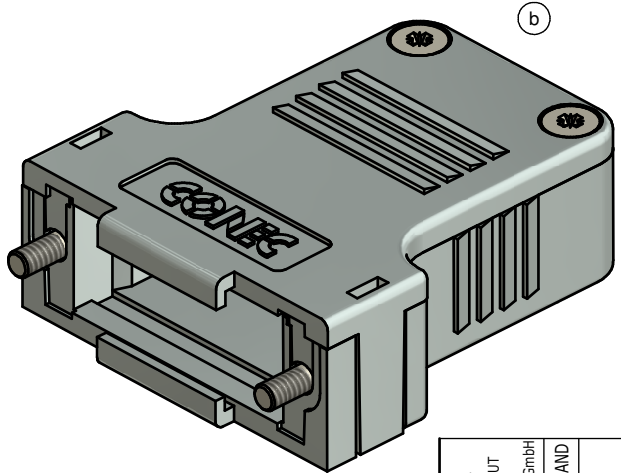


(b)

	
CABLE STRAIN RELIEF (1x)	LENS HEAD SCREW (2x)
	
SHORT SCREW (2x)	PRESS INSERT (1x)
	
	COVER SCREW (2x)



(b)


NOTES:

- HOOD + COVER: ABS UL 94 V-0; METALLIZED
- CABLE STRAIN RELIEF: STEEL; NICKEL PLATED
- PRESS INSERT: ABS UL 94 V-0; METALLIZED
- SHORT SCREWS: STEEL; NICKEL PLATED
- COVER SCREWS: STEEL; NICKEL PLATED
- LENS HEAD SCREWS: STEEL; NICKEL PLATED

TECHNICAL DATA:

- TEMPERATURE RANGE: -33 °C to + 90 °C

Directive 2002/95/EC RoHS compliant

THIS DRAWING MAY NOT BE COPIED OR REPRODUCED IN ANY WAY, AND MAY NOT BE PASSED ON TO A THIRD PARTY WITHOUT WRITTEN PERMISSION. OWNERSHIP AND COPYRIGHT OF CONEC GmbH DO NOT ALTER CAD DRAWING BY HAND	tolerance			scale: 2:1
	dim. in mm			material: SEE NOTES
	date	name		title: PLASTIC HOOD 15pos. with straight cable exit
	drawn 03.09.14	Unkrüer		
	appd. 03.09.14	Lehmenkühler		
	norm			dwg no: (b) 16K1A3494
d-old 16K2A171A			DIN-A3	
3 x b	Ä 5304	03.09.2014	Unkrüer	sh: 1
a	Original			
rev.	description	date	name	part no: 165X13479X



Mouser Electronics

Authorized Distributor

Click to View Pricing, Inventory, Delivery & Lifecycle Information:

[Amphenol:](#)

[165X13479X](#)