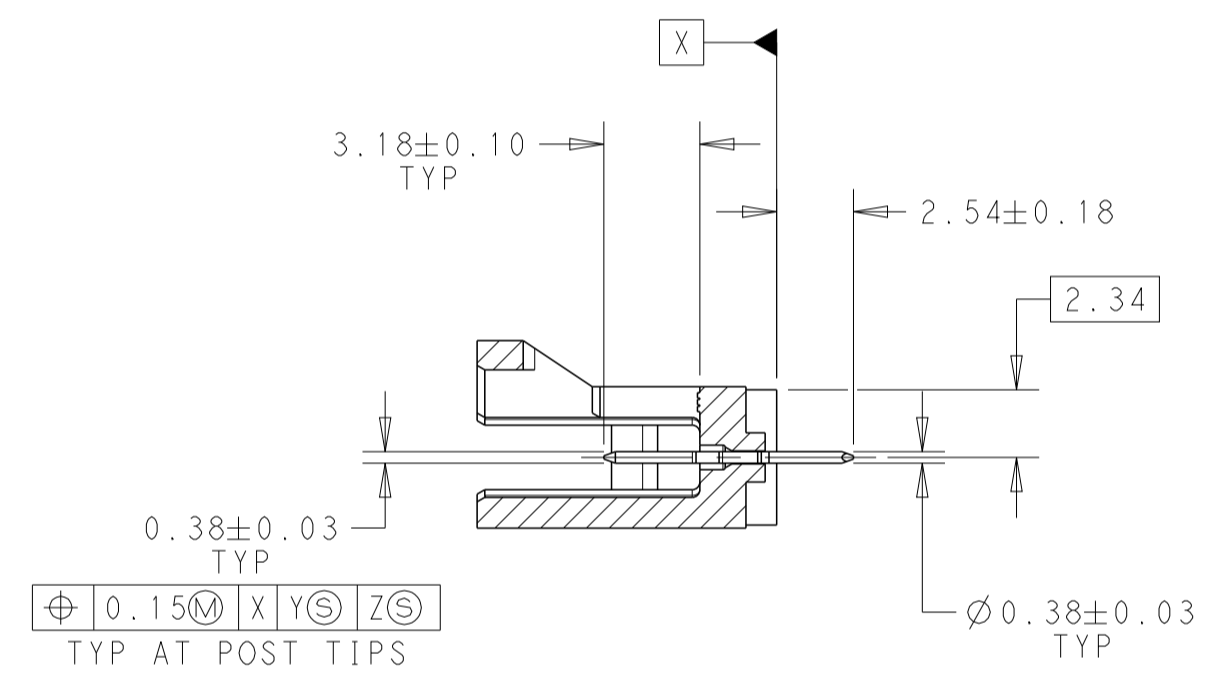
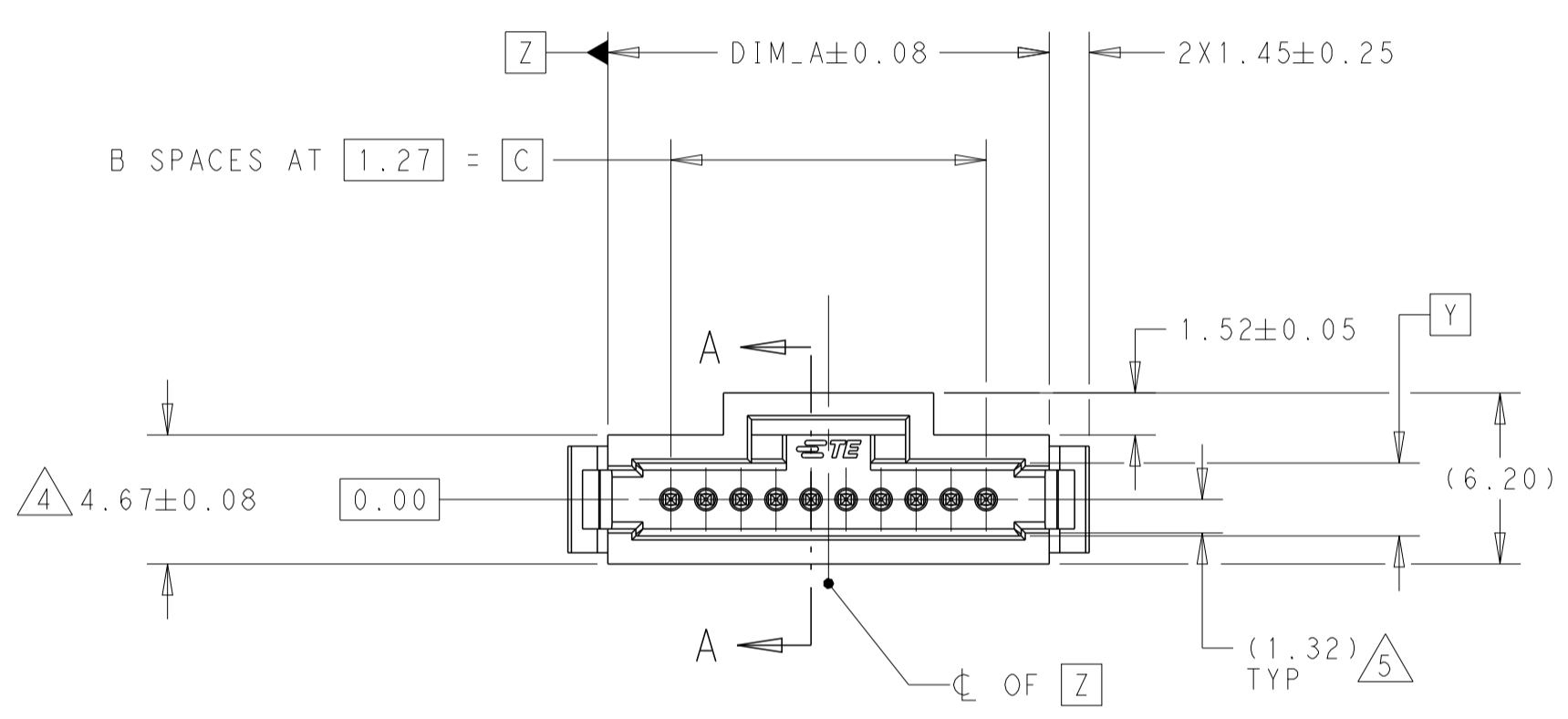
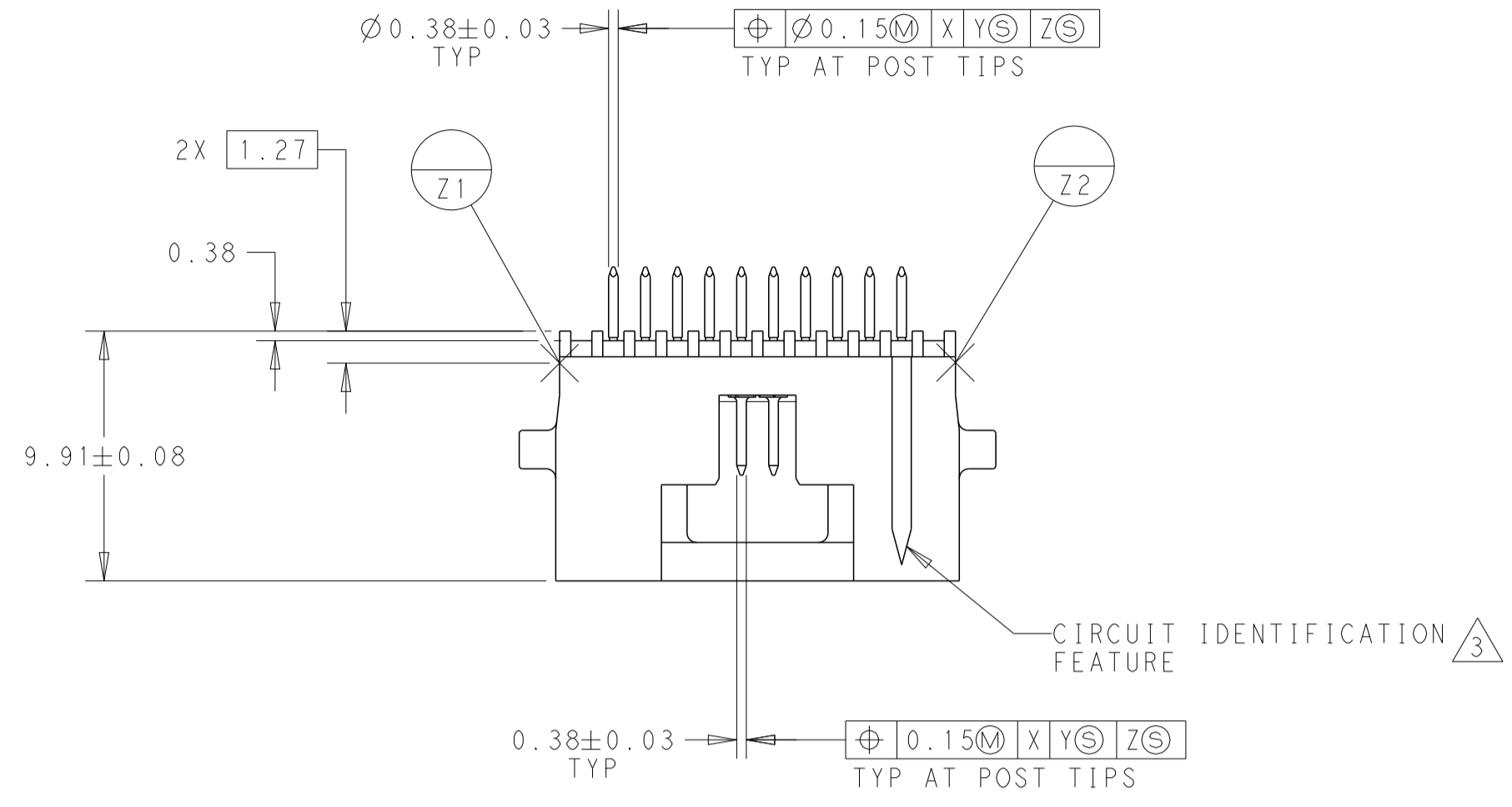
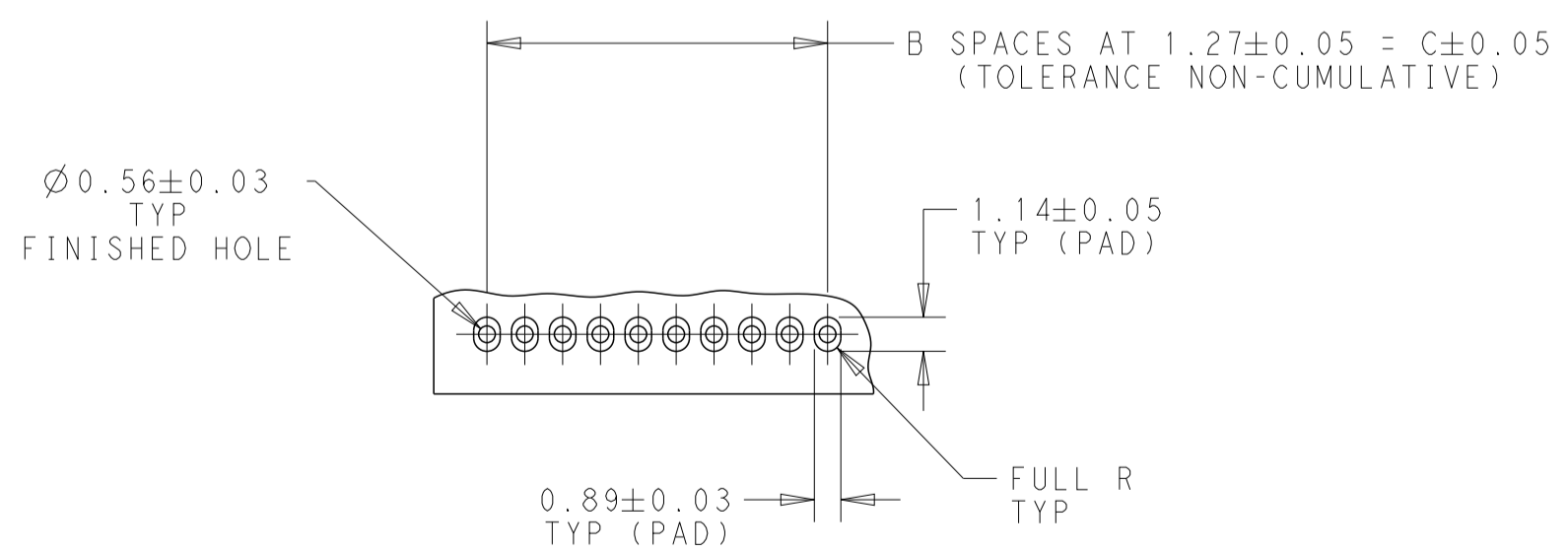


| REVISIONS |     |                                   |           |       |
|-----------|-----|-----------------------------------|-----------|-------|
| P         | LTN | DESCRIPTION                       | DATE      | APVD  |
| R         |     | REDRAWN/REVISED PER ECO-17-001745 | 30NOV2017 | KS JO |
|           |     |                                   |           |       |
|           |     |                                   |           |       |

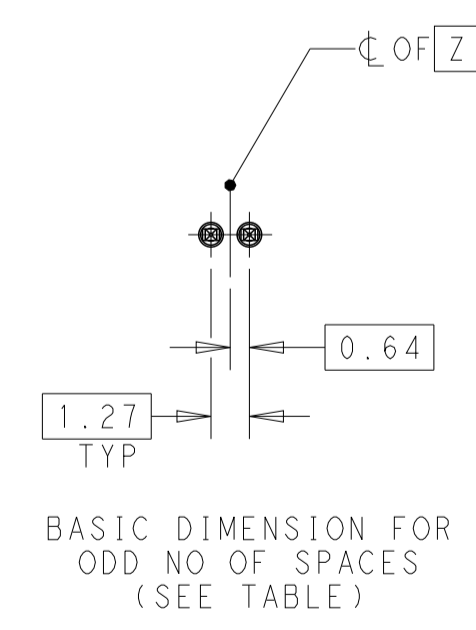


SECTION A-A

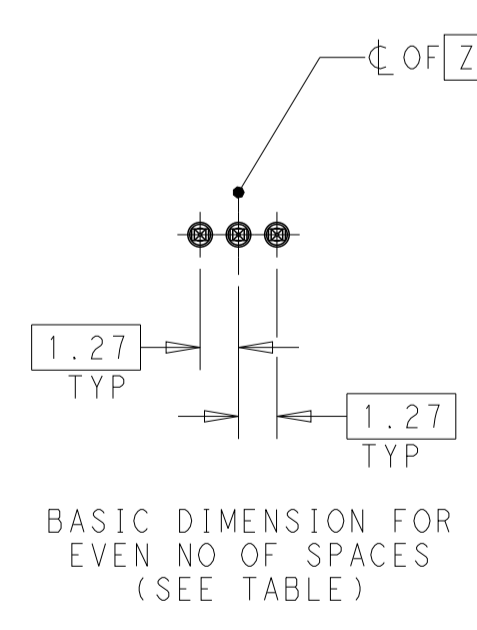
- 1 CONTACT AREAS PLATED WITH 0.76µm GOLD, SOLDER TAILS PLATED WITH 3.81µm TIN-LEAD, ALL OVER 1.27µm NICKEL.
- 2. NOTE DELETED
- 3 CIRCUIT IDENTIFICATION FEATURE OMITTED ON 4, 5, 6 & 7 POSITION HEADER ASSEMBLIES
- 4 DIMENSION APPLIES AT BASE OF SHROUD
- 5 THE NOTED DIMENSIONS APPLY AT THE INTERSECTION OF THE POST AND HOUSING
- 6. NOTE DELETED
- 7 CONTACT AREAS PLATED WITH 0.76µm GOLD, SOLDER TAILS PLATED WITH 3.81µm TIN, ALL OVER 1.27µm NICKEL
- 8 FINISH: 0.03µm MIN GOLD ON GOLD PLATED AREA 3.81µm MATTE TIN-LEAD ON TIN PLATED AREA. UNDER PLATING TO BE 1.27µm NICKEL ON ENTIRE CONTACT.
- 9. NOTE DELETED.
- 10. NOTE DELETED.
- 11. NOTE DELETED
- 12. NOTE DELETED
- 13 FINISH: 0.03µm MIN GOLD ON GOLD PLATED AREA 3.81µm MATTE TIN ON TIN PLATED AREA. UNDER PLATING TO BE 1.27µm NICKEL ON ENTIRE CONTACT.
- 14 MATERIAL: HOUSING-LCP, COLOR-BLACK CONTACT-COPPER ALLOY



RECOMMENDED HOLE PATTERN



BASIC DIMENSION FOR ODD NO OF SPACES (SEE TABLE)



BASIC DIMENSION FOR EVEN NO OF SPACES (SEE TABLE)

FOR TABLE SEE SHT-2


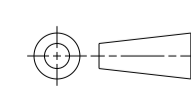
|  |           |                          |  |  |
|--|-----------|--------------------------|--|--|
| THIS DRAWING IS A CONTROLLED DOCUMENT. |           | OWN: RL KOLLER 25JUL2017 | TE Connectivity  |  |
| DIMENSIONS: mm                         |           | CHK: J. OLSON 27JUL2017  |  |  |
| TOLERANCES UNLESS OTHERWISE SPECIFIED: |           | APVD: J. OLSON 27JUL2017 | NAME: HEADER ASSEMBLY, VERTICAL SINGLE ROW W/LATCHES AMPMODU SYSTEM 50 |  |
| 0 PLC                                  | ±         | PRODUCT SPEC             | SIZE: CAGE CODE DRAWING NO   |  |
| 2 PLC                                  | ±0.3      | 108-1093                 | RESTRICTED TO  |  |
| 3 PLC                                  | ±0.13     | APPLICATION SPEC         | A100779C=104071  |  |
| 4 PLC                                  | ±         | 114-25031                | SCALE: 4:1 SHEET 1 OF 2 REV R  |  |
| ANGLES                                 | ±0.5°     | WEIGHT                   |  |  |
| FINISH                                 | SEE TABLE | CUSTOMER DRAWING         |  |  |

THIS DRAWING IS UNPUBLISHED. RELEASED FOR PUBLICATION  
 © COPYRIGHT copyright dbt ALL RIGHTS RESERVED.

| REVISIONS |     |             |      |      |
|-----------|-----|-------------|------|------|
| P         | LTN | DESCRIPTION | DATE | APVD |
| -         |     | SEE SHEET 1 | -    | -    |
|           |     |             |      |      |
|           |     |             |      |      |

|        |       |          |       |            |             |
|--------|-------|----------|-------|------------|-------------|
| 3      | 31.75 | 25       | 36.32 | 26         | 9-104071-0  |
|        | 62.23 | 49       | 66.80 | 50         | 8-104071-9  |
|        | 55.88 | 44       | 60.45 | 45         | 8-104071-8  |
|        | 49.53 | 39       | 54.10 | 40         | 8-104071-7  |
|        | 44.45 | 35       | 49.02 | 36         | 8-104071-6  |
|        | 33.02 | 26       | 37.59 | 27         | 8-104071-5  |
|        | 26.67 | 21       | 31.24 | 22         | 8-104071-4  |
|        | 20.32 | 16       | 24.89 | 17         | 8-104071-3  |
|        | 15.24 | 12       | 19.81 | 13         | 8-104071-2  |
|        | 13.97 | 11       | 18.54 | 12         | 8-104071-1  |
|        | 8.89  | 7        | 13.46 | 8          | 8-104071-0  |
|        | 7.62  | 6        | 12.19 | 7          | 7-104071-9  |
|        | 6.35  | 5        | 10.92 | 6          | 7-104071-8  |
|        | 3.81  | 3        | 8.38  | 4          | 7-104071-7  |
|        | 36.83 | 29       | 41.40 | 30         | 7-104071-6  |
|        | 30.48 | 24       | 35.05 | 25         | 7-104071-5  |
|        | 24.13 | 19       | 28.70 | 20         | 7-104071-4  |
|        | 17.78 | 14       | 22.35 | 15         | 7-104071-3  |
|        | 5.08  | 4        | 9.65  | 5          | 7-104071-2  |
|        | 11.43 | 9        | 16.00 | 10         | 7-104071-1  |
| 7      | 31.75 | 25       | 36.32 | 26         | 7-104071-0  |
|        | 62.23 | 49       | 66.8  | 50         | 6-104071-9  |
|        | 55.88 | 44       | 60.45 | 45         | 6-104071-8  |
|        | 49.53 | 39       | 54.10 | 40         | 6-104071-7  |
|        | 44.45 | 35       | 49.02 | 36         | 6-104071-6  |
|        | 33.02 | 26       | 37.59 | 27         | 6-104071-5  |
|        | 26.67 | 21       | 31.24 | 22         | 6-104071-4  |
|        | 20.32 | 16       | 24.89 | 17         | 6-104071-3  |
|        | 15.24 | 12       | 19.81 | 13         | 6-104071-2  |
|        | 13.97 | 11       | 18.54 | 12         | 6-104071-1  |
|        | 8.89  | 7        | 13.46 | 8          | 6-104071-0  |
|        | 7.62  | 6        | 12.19 | 7          | 5-104071-9  |
|        | 6.35  | 5        | 10.92 | 6          | 5-104071-8  |
|        | 3.81  | 3        | 8.38  | 4          | 5-104071-7  |
|        | 36.83 | 29       | 41.40 | 30         | 5-104071-6  |
|        | 30.48 | 24       | 35.05 | 25         | 5-104071-5  |
|        | 24.13 | 19       | 28.70 | 20         | 5-104071-4  |
|        | 17.78 | 14       | 22.35 | 15         | 5-104071-3  |
|        | 5.08  | 4        | 9.65  | 5          | 5-104071-2  |
|        | 11.43 | 9        | 16.00 | 10         | 5-104071-1  |
| FINISH | DIM_C | B SPACES | DIM_A | NO OF POSN | PART NUMBER |

|        |       |          |       |            |             |
|--------|-------|----------|-------|------------|-------------|
| 8      | 31.75 | 25       | 36.32 | 26         | 4-104071-0  |
|        | 62.23 | 49       | 66.80 | 50         | 3-104071-9  |
|        | 55.88 | 44       | 60.45 | 45         | 3-104071-8  |
|        | 49.53 | 39       | 54.10 | 40         | 3-104071-7  |
|        | 44.45 | 35       | 49.02 | 36         | 3-104071-6  |
|        | 33.02 | 26       | 37.59 | 27         | 3-104071-5  |
|        | 26.67 | 21       | 31.24 | 22         | 3-104071-4  |
|        | 20.32 | 16       | 24.89 | 17         | 3-104071-3  |
|        | 15.24 | 12       | 19.81 | 13         | 3-104071-2  |
|        | 13.97 | 11       | 18.54 | 12         | 3-104071-1  |
|        | 8.89  | 7        | 13.46 | 8          | 3-104071-0  |
|        | 7.62  | 6        | 12.19 | 7          | 2-104071-9  |
|        | 6.35  | 5        | 10.92 | 6          | 2-104071-8  |
|        | 3.81  | 3        | 8.38  | 4          | 2-104071-7  |
|        | 36.83 | 29       | 41.40 | 30         | 2-104071-6  |
|        | 30.48 | 24       | 35.05 | 25         | 2-104071-5  |
|        | 24.13 | 19       | 28.70 | 20         | 2-104071-4  |
|        | 17.78 | 14       | 22.35 | 15         | 2-104071-3  |
|        | 5.08  | 4        | 9.65  | 5          | 2-104071-2  |
|        | 11.43 | 9        | 16.00 | 10         | 2-104071-1  |
| 1      | 31.75 | 25       | 36.32 | 26         | 2-104071-0  |
|        | 62.23 | 49       | 66.80 | 50         | 1-104071-9  |
|        | 55.88 | 44       | 60.45 | 45         | 1-104071-8  |
|        | 49.53 | 39       | 54.10 | 40         | 1-104071-7  |
|        | 44.45 | 35       | 49.02 | 36         | 1-104071-6  |
|        | 33.02 | 26       | 37.59 | 27         | 1-104071-5  |
|        | 26.67 | 21       | 31.24 | 22         | 1-104071-4  |
|        | 20.32 | 16       | 24.89 | 17         | 1-104071-3  |
|        | 15.24 | 12       | 19.81 | 13         | 1-104071-2  |
|        | 13.97 | 11       | 18.54 | 12         | 1-104071-1  |
|        | 8.89  | 7        | 13.46 | 8          | 1-104071-0  |
|        | 7.62  | 6        | 12.19 | 7          | 104071-9    |
|        | 6.35  | 5        | 10.92 | 6          | 104071-8    |
|        | 3.81  | 3        | 8.38  | 4          | 104071-7    |
|        | 36.83 | 29       | 41.40 | 30         | 104071-6    |
|        | 30.48 | 24       | 35.05 | 25         | 104071-5    |
|        | 24.13 | 19       | 28.70 | 20         | 104071-4    |
|        | 17.78 | 14       | 22.35 | 15         | 104071-3    |
|        | 5.08  | 4        | 9.65  | 5          | 104071-2    |
|        | 11.43 | 9        | 16.00 | 10         | 104071-1    |
| FINISH | DIM_C | B SPACES | DIM_A | NO OF POSN | PART NUMBER |

|  |  |  |   |  |
|--|--|--|---|--|
| THIS DRAWING IS A CONTROLLED DOCUMENT.   |  | DWN R. SHRISHALLI 25JUL2017<br>CHK J. OLSON 27JUL2017<br>APVD J. OLSON 27JUL2017   |  TE Connectivity |  |
| DIMENSIONS:<br>mm<br> | TOLERANCES UNLESS OTHERWISE SPECIFIED:<br>0 PLC ±<br>1 PLC ±0.3<br>2 PLC ±0.13<br>3 PLC ±<br>4 PLC ±<br>ANGLES ±0.5°<br>FINISH | NAME HEARER ASSEMBLY, VERTICAL<br>SINGLE ROW W/LATCHES<br>AMPMODU SYSTEM 50<br>PRODUCT SPEC 108-1093<br>APPLICATION SPEC 114-25031 | SIZE A100779<br>CAGE CODE C=104071<br>DRAWING NO.   | RESTRICTED TO<br>-<br>SCALE 5:1 SHEET 2 OF 2 REV R |
| MATERIAL - SEE TABLE   |  | CUSTOMER DRAWING   |   |  |

# Mouser Electronics

Authorized Distributor

Click to View Pricing, Inventory, Delivery & Lifecycle Information:

[TE Connectivity:](#)

[5-104071-5](#)