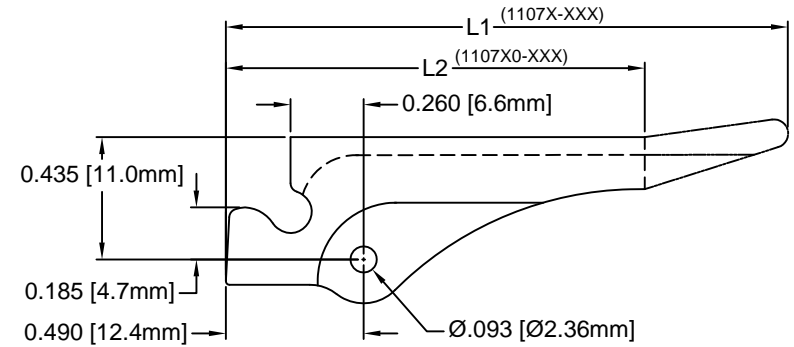
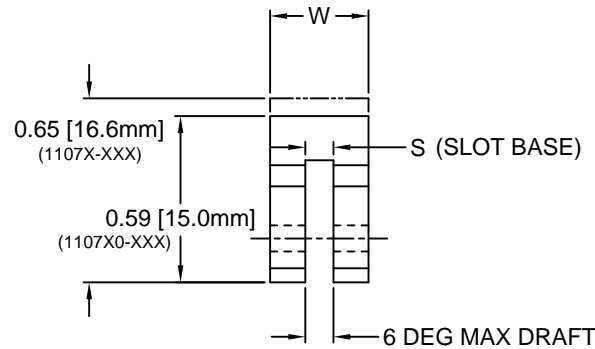
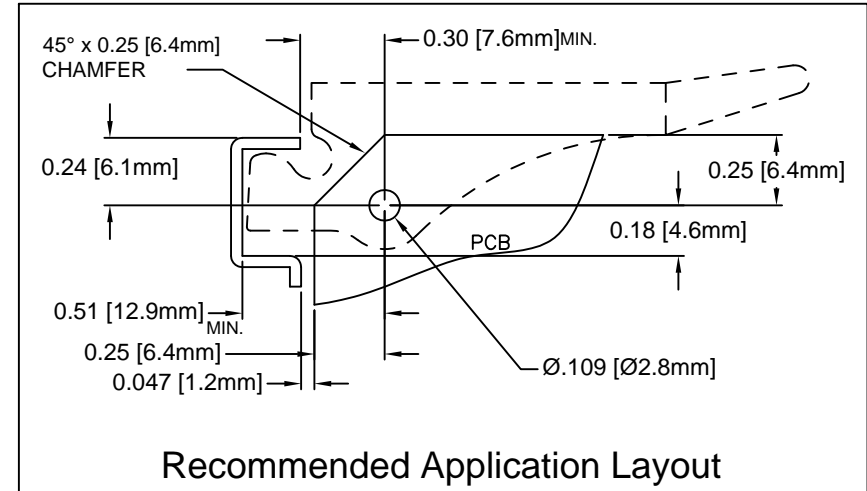


REV.	DESCRIPTION	DATE	APPROVED
C	Engineering Update w/o Changes	02/13/04	M. C.
D	Updated S Dimension	11/26/07	M. C.
E	Updated 14-NL Material to 94V-0	09/11/12	T. Y.
F	Added Notes 3, 4, 5 & Color Options Sheet #2	05/16/16	J. C.



PART NO.	COLOR	S	W	L1	L2	PCB THICKNESS	ROLL PIN	DESC
1107-062 NT	NATURAL	.075 (1.9mm)	.290 (7.4mm)	2.0 (50.8mm)	-	.062 (1.6mm)	RP-250	83023-09
1107-062 XX	SEE S.#2							
11073-062 NT	NATURAL	.075 (1.9mm)	.350 (8.9mm)	2.0 (50.8mm)	-	.062 (1.6mm)	RP-312	-
11073-062 XX	SEE S.#2							
11073-093 NT	NATURAL	.100 (2.5mm)	.350 (8.9mm)	2.0 (50.8mm)	-	.093 (2.4mm)	RP-312	-
11073-093 XX	SEE S.#2							
11073-125 NT	NATURAL	.140 (3.6mm)	.350 (8.9mm)	2.0 (50.8mm)	-	.125 (3.2mm)	RP-312	83023-10
11073-125 XX	SEE S.#2							
110710-062 NT	NATURAL	.075 (1.9mm)	.290 (7.4mm)	-	1.5 (38.1mm)	.062 (1.6mm)	RP-250	83023-11
110710-062 XX	SEE S.#2							
1107310-062 NT	NATURAL	.075 (1.9mm)	.350 (8.9mm)	-	1.5 (38.1mm)	.062 (1.6mm)	RP-312	-
1107310-062 XX	SEE S.#2							
1107310-093 NT	NATURAL	.100 (2.5mm)	.350 (8.9mm)	-	1.5 (38.1mm)	.093 (2.4mm)	RP-312	-
1107310-093 XX	SEE S.#2							
1107310-125 NT	NATURAL	.140 (3.6mm)	.350 (8.9mm)	-	1.5 (38.1mm)	.125 (3.2mm)	RP-312	-
1107310-125 XX	SEE S.#2							



Recommended Application Layout

STANDARD TOLERANCE (UNLESS OTHERWISE SPECIFIED)		 4 THOMAS, IRVINE, CA. 92618 TEL: (949) 951-8808 FAX: (949) 951-3974	
DECIMALS	ANGULAR		
.X ± .1	X° ± 1°		<b>TITLE:</b> PCB INSERTER/EXTRACTOR
.XX ± .01			
.XXX ± .005		<b>DESIGNED:</b> D. Green	<b>DATE:</b> 04/16/03
<b>CHECKED:</b> M. Chen		<b>DATE:</b> 04/16/03	<b>PART NO:</b> 1107XXX-XXX XX
		<b>CAGE CODE :</b> 32559	<b>REVISION:</b> F
		<b>SHEET # 1 OF 2</b>	
CAD GENERATED DOCUMENT. DO NOT MEASURE DRAWING.			

4. PRE-ASSEMBLED ROLL PINS AVAILABLE UPON REQUEST.
3. ROLL PINS INCLUDED. PACKAGED SEPARATELY.
2. MATERIAL: NYLON 6/6, 30% GLASS, 94V-0 NATURAL.
1. GENERAL SPECIFICATIONS: BIVAR MOLDED COMPONENT SPECIFICATION BV00-E101.

OTHER AVAILABLE COLORS  
 \* SEE TABLE FOR ORDERING INFORMATION


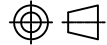
REV.	DESCRIPTION	DATE	APPROVED
	SEE SHEET #1		

1 1 0 7 \_ \_ \_ - \_ \_ \_ \_ \_ \_ \_ \_

SERIES
1107-062
11073-062
11073-093
11073-125
110710-062
1107310-062
1107310-093
1107310-125

ORDER CODE	COLOR
AA	AQUA
BK	BLACK
BE	BLUE
BN	BROWN
FG	FOREST GREEN
GY	GRAY
GN	GREEN
LE	LIME
OE	ORANGE
PK	PINK
RD	RED
VT	VIOLET
YW	YELLOW

5. PARTS ARE DYED TO COLOR UPON REQUEST.

STANDARD TOLERANCE ( UNLESS OTHERWISE SPECIFIED )		 4 THOMAS, IRVINE, CA. 92618 TEL: (949) 951-8808 FAX: (949) 951-3974		
DECIMALS	ANGULAR			
		TITLE: PCB INSERTER/EXTRACTOR		
		DESIGNED: <b>D. Green</b>	DATE: <b>04/16/03</b>	PART NO: <b>1107XXX-XXX XX</b>
CHECKED: <b>M. Chen</b>		DATE: <b>04/16/03</b>	CAGE CODE : 32559 SHEET # 2 OF 2	
CAD GENERATED DOCUMENT. DO NOT MEASURE DRAWING.				

# Mouser Electronics

Authorized Distributor

Click to View Pricing, Inventory, Delivery & Lifecycle Information:

## BIVAR:

[1107-062 BK](#) [1107-062 NT](#) [110710-062 BK](#) [110710-062 NT](#) [11073-062 BK](#) [11073-062 NT](#) [1107310-062 BK](#)  
[1107310-062 NT](#) [1107310-093 BK](#) [1107310-125 BK](#) [1107310-125 NT](#) [11073-125 BK](#) [11073-125 NT](#) [1107-062 PK](#)  
[1107-062 VT](#) [1107-062 AA](#) [1107-062 YW](#) [1107-062 BE](#) [11073-062 YW](#) [11073-093 LE](#) [11073-093 RD](#) [1107-062 GN](#)  
[11073-093 BE](#) [11073-125 YW](#) [1107-062 RD](#) [1107-062 BN](#) [1107-062 OE](#) [1107-062 LE](#)