

TABLE I								
DASH NO	SHELL SIZE CODE (REF)	A THREAD ISO METRIC	B DIA MAX	C ±1.6	D MAX	E CABLE ENTRY		
						MIN	MAX	
09	A	M12 X 1 - 6H	15.7	14.1	19.1	3.2	5.2	
11	B	M15 X 1 - 6H	18.7	16.9	22.6	4.7	7.3	
13	C	M18 X 1 - 6H	21.8	20.1	25.1	7.4	10.6	
15	D	M22 X 1 - 6H	25.0	20.1	26.6	8.9	12.1	
17	E	M25 X 1 - 6H	28.3	23.2	33.5	12.7	15.9	
19	F	M28 X 1 - 6H	30.5	29.6	36.9	13.2	17.9	
21	G	M31 X 1 - 6H	33.7	32.8	39.5	14.8	21.1	
23	H	M34 X 1 - 6H	36.8	35.9	42.0	16.4	24.3	
25	J	M37 X 1 - 6H	40.0	39.1	45.1	17.9	27.5	

REV.	DESCRIPTION	BY	DATE
A	REVISED PER DCN 05698	07/23/86	J.S.
B	REVISED PER DCN 11977	08/31/95	T.L.
C	REVISED PER DCN 21288	08/16/03	T.L.
D	REVISED PER DCN 26536	10/24/06	T.L.

TABLE II	
SYM	FINISH DESCRIPTION
A	CADMIUM PLATE / BRIGHT DIP
B	CADMIUM PLATE / OLIVE DRAB
C	BLACK ANODIZE
D	CLEAR ANODIZE
E	GOLD IRIDITE
F	GRAY ANODIZE
G	HARD COAT
H	BLACK ANODIZE/OUTSIDE DIA. WITH CADMIUM PLATE/INSIDE DIA.
J	GOLD IRIDITE OVER CADMIUM PLATE OVER NICKEL PLATE
K	HARD CHROME
L	CADMIUM PLATE / BRIGHT DIP OVER ELECTROLESS NICKEL
M	ELECTROLESS NICKEL
N	CADMIUM PLATE / OLIVE DRAB OVER NICKEL PLATE
P	NICKEL PLATE
R	RED ANODIZE
S	GREEN ANODIZE
T	CADMIUM PLATE OVER NICKEL PLATE
W	LEACHED IRIDITE
Y	GOLD IRIDITE OVER CADMIUM PLATE
Z	SPECIAL PER PURCHASE ORDER
AB	NICKEL/ALUMINUM/BRONZE DE-GREASE/NO PLATING
NF	CAD/O.D. OVER ELECTROLESS NICKEL (1000 HOUR SALT SPRAY)

PART NUMBER DEVELOPMENT

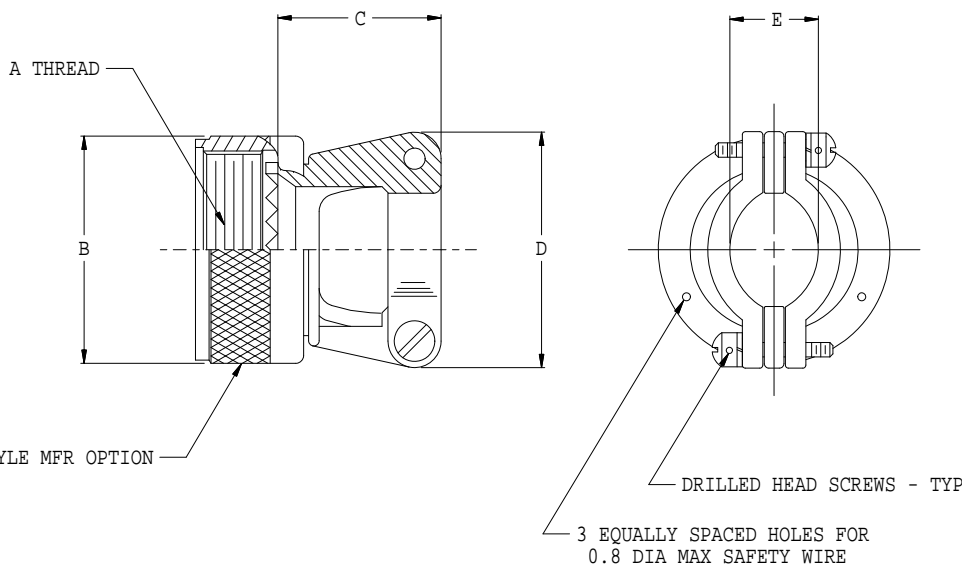
EXAMPLE: G8801 S 15 M

BASIC NO _____

S = STAINLESS STEEL
OMIT FOR AL ALLOY
SUBSTITUTE DASH

DASH NO, TABLE I _____

FINISH SYM, TABLE II
(OMIT FOR STAINLESS)



NOTES:

- ASSEMBLY IDENTIFIED WITH MANUFACTURER'S NAME AND P/N, SPACE PERMITTING
- UNLESS OTHERWISE SPECIFIED, ALL DIMENSIONS ARE IN MILLIMETERS (mm).
- GLENAIR 600 SERIES BACKSHELL ASSEMBLY TOOLS ARE RECOMMENDED FOR ASSEMBLY AND INSTALLATION
- MATERIAL/FINISH:
ADAPTER, COUPLING NUT, CLAMP - AL ALLOY/SEE TABLE II OR 300 SERIES STAINLESS STEEL/PASSIVATE
LOCKWASHERS, SCREWS - CRES/PASSIVATE

METRIC DIMENSIONS

UNLESS OTHERWISE SPECIFIED DIMENSIONS ARE IN INCHES TOLERANCES: FRACTIONS ± 1/16 DECIMALS .XX ±.03 .XXX ±.015 ANGLES ± 2°	DRAWN T.LE	08/31/95	GLENAIR, INC. CAD 1995 [®] 1211 AIR WAY - GLENDALE - CALIFORNIA 91201 STRAIN RELIEF FOR MIL-C-38999 SERIES III & IV CONNECTORS
	CHECK P.O.	08/31/95	
	ENGR P.OAKES	08/31/95	
	DO NOT SCALE THIS DRAWING	RELEASE DATE	09/01/95
B/F 95-8785	P/C 62	NON REPARABLE COMMERCIAL ITEM	SCALE N/A WEIGHT N/A SHEET 1 OF 1

Mouser Electronics

Authorized Distributor

Click to View Pricing, Inventory, Delivery & Lifecycle Information:

[Glenair:](#)

[G8801-09M](#) [G8801-11N](#)