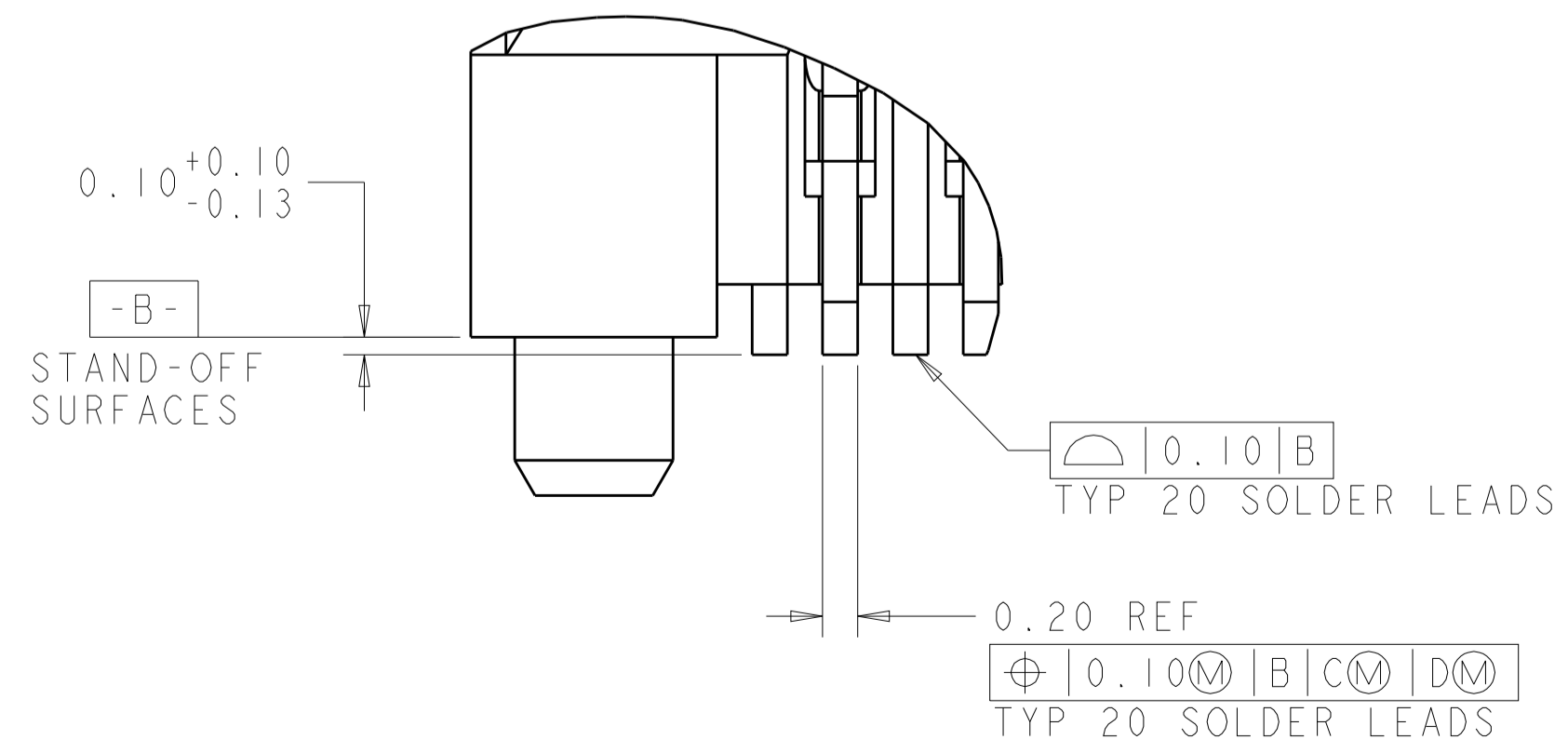
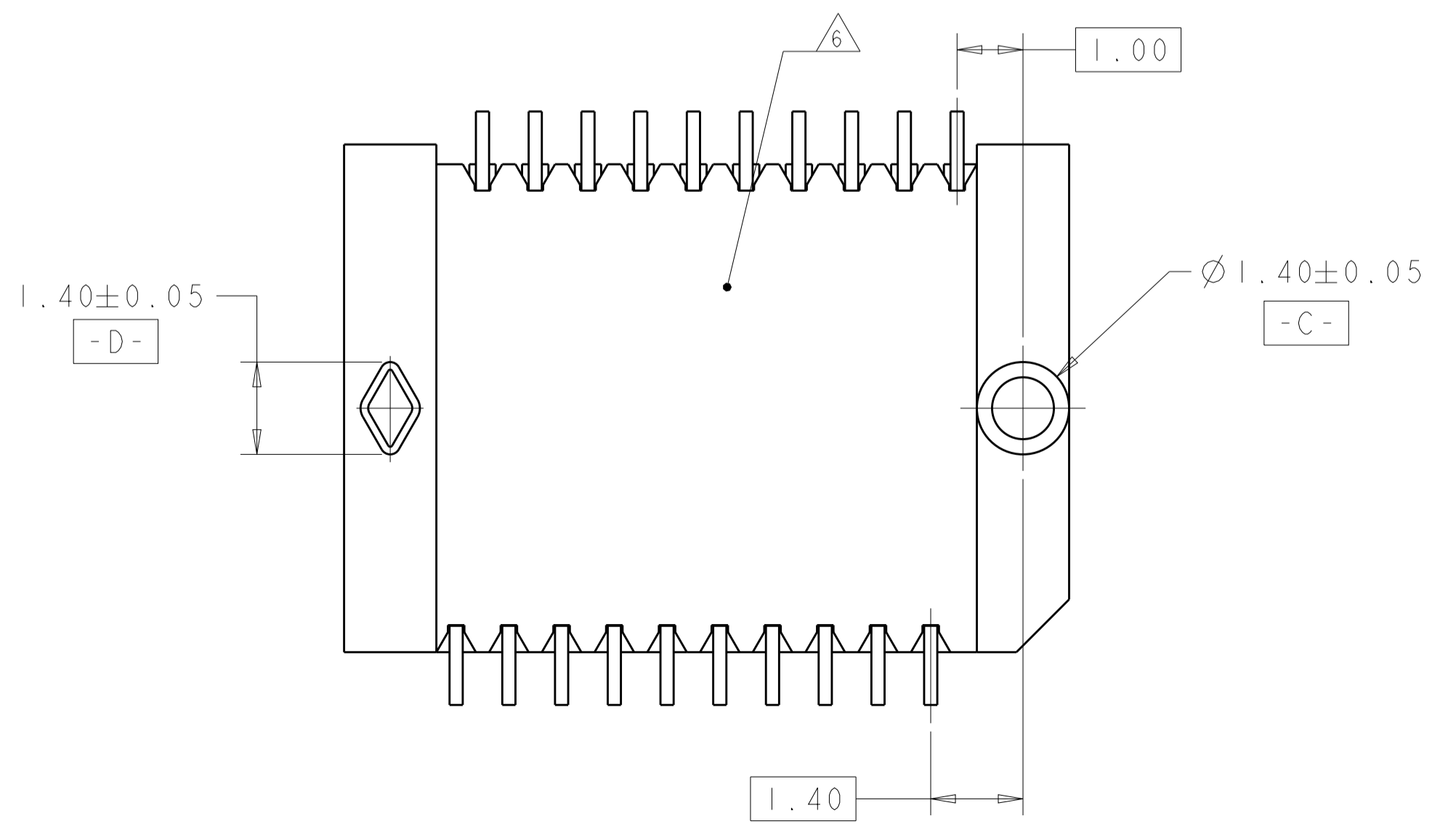
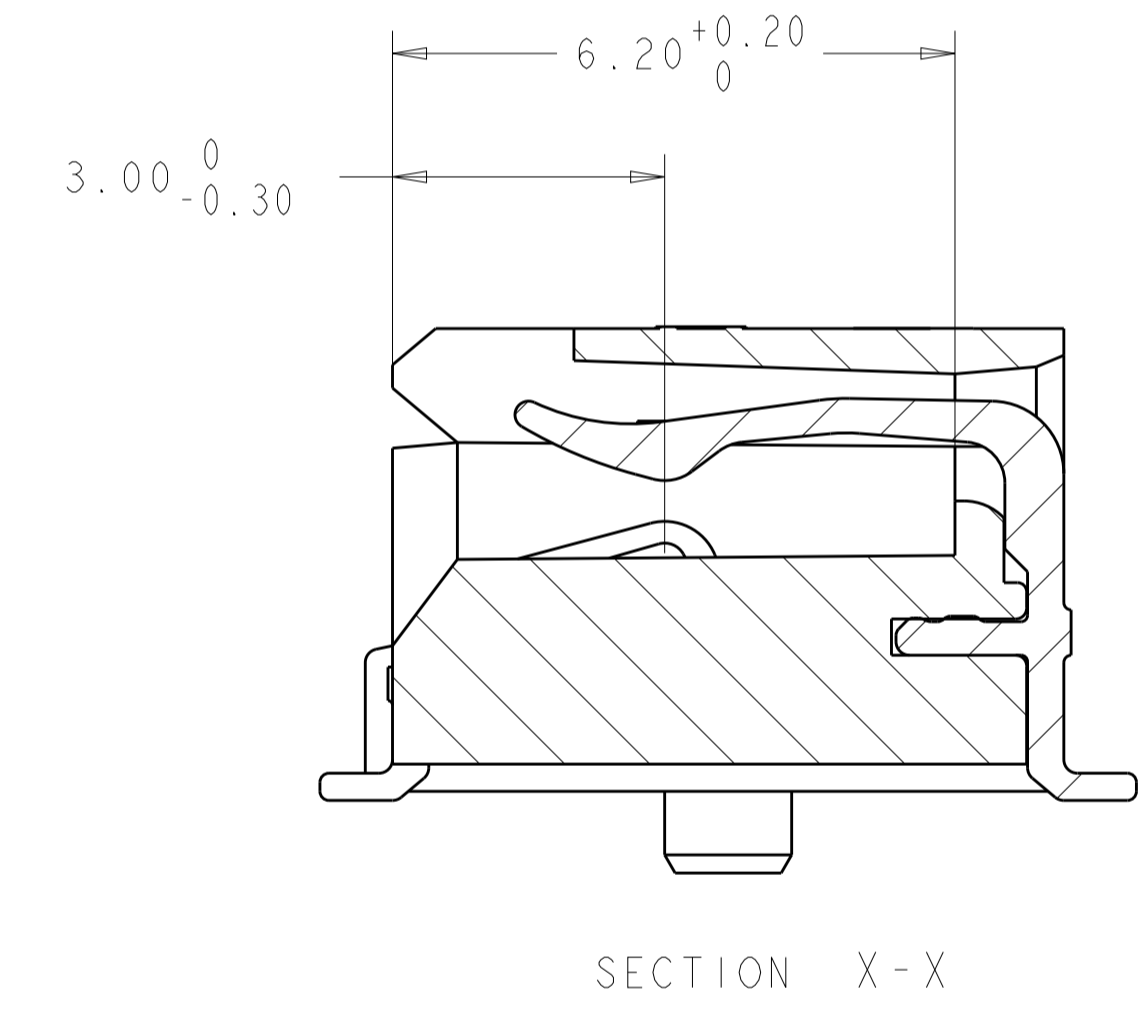
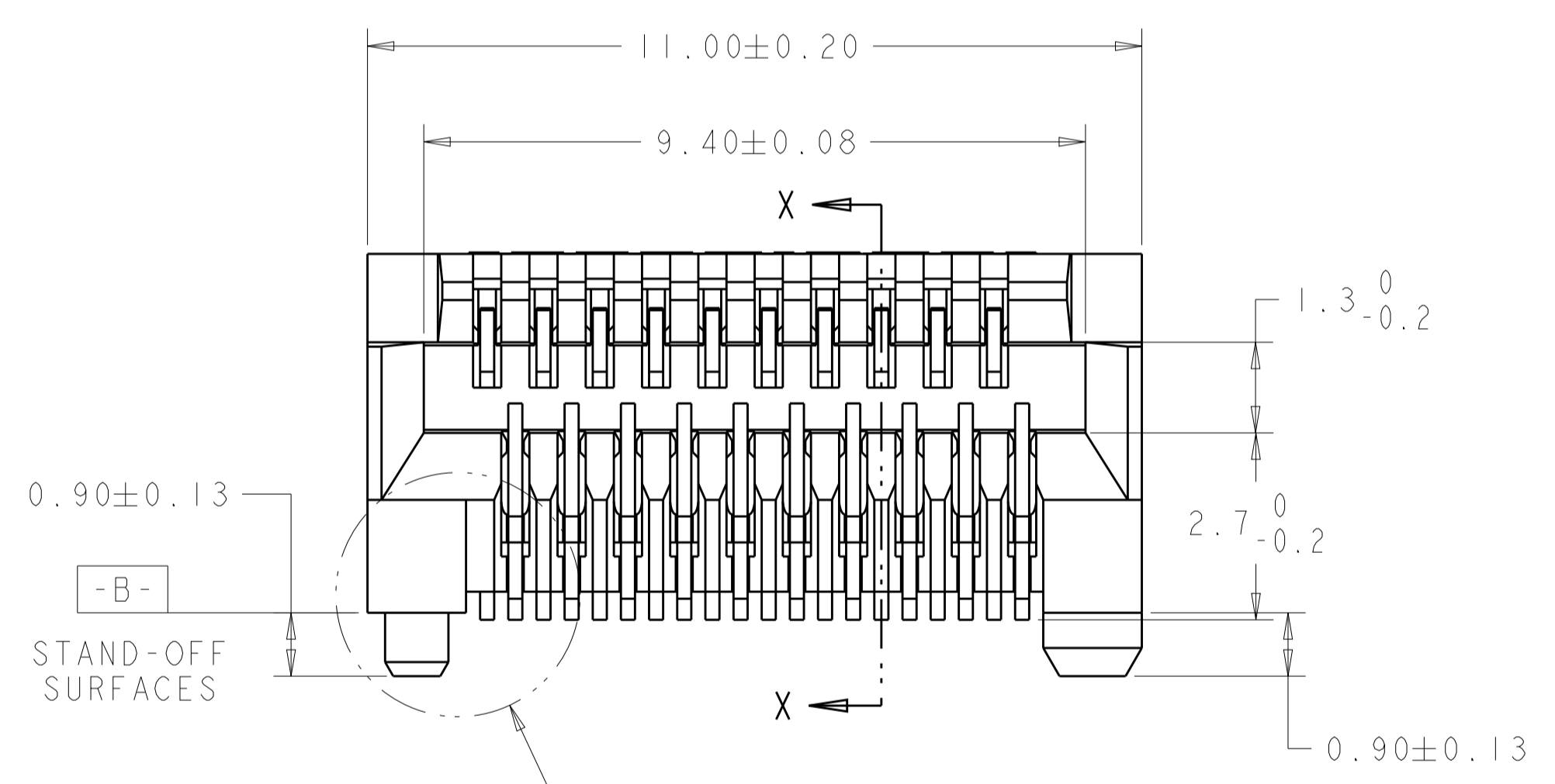
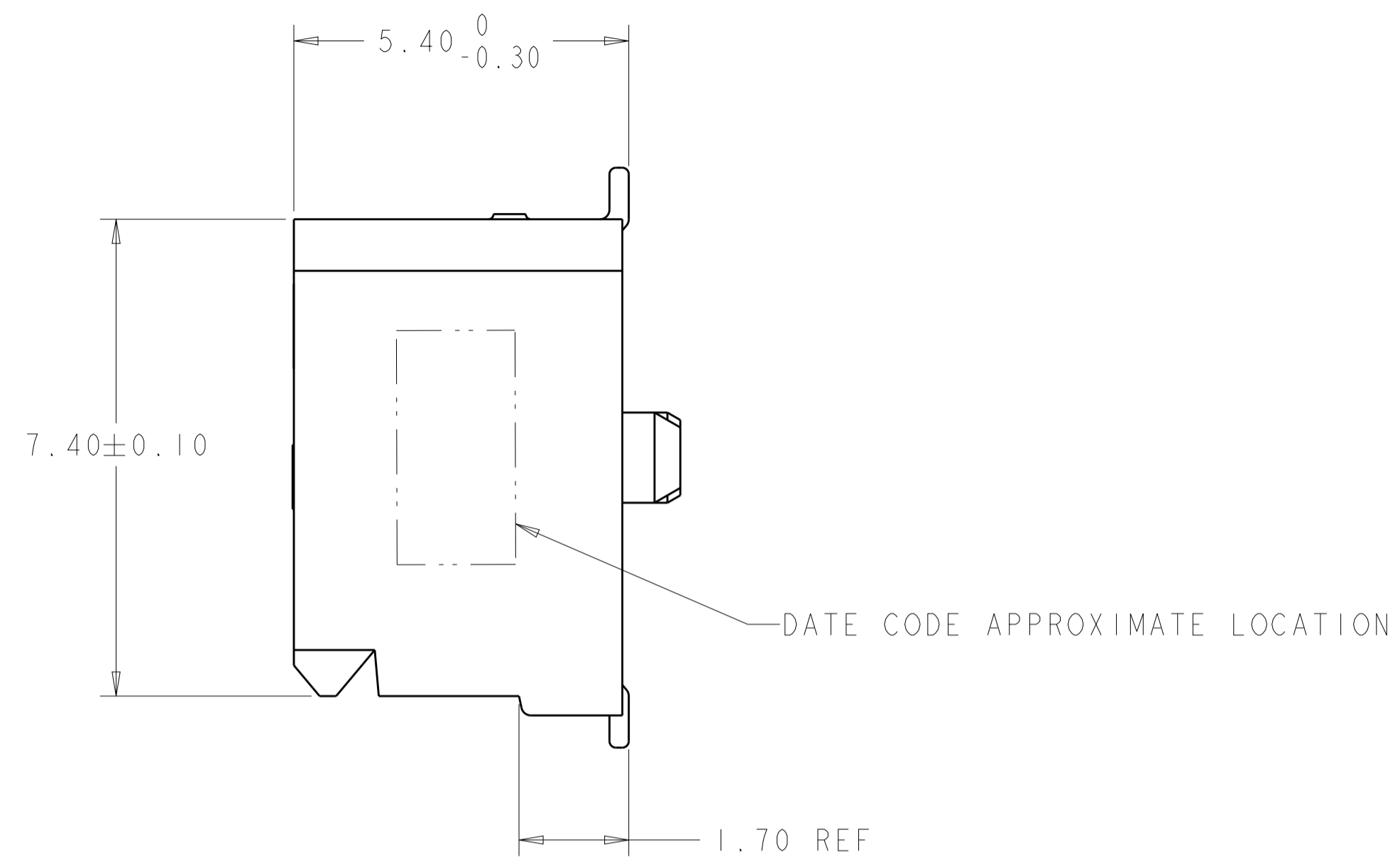
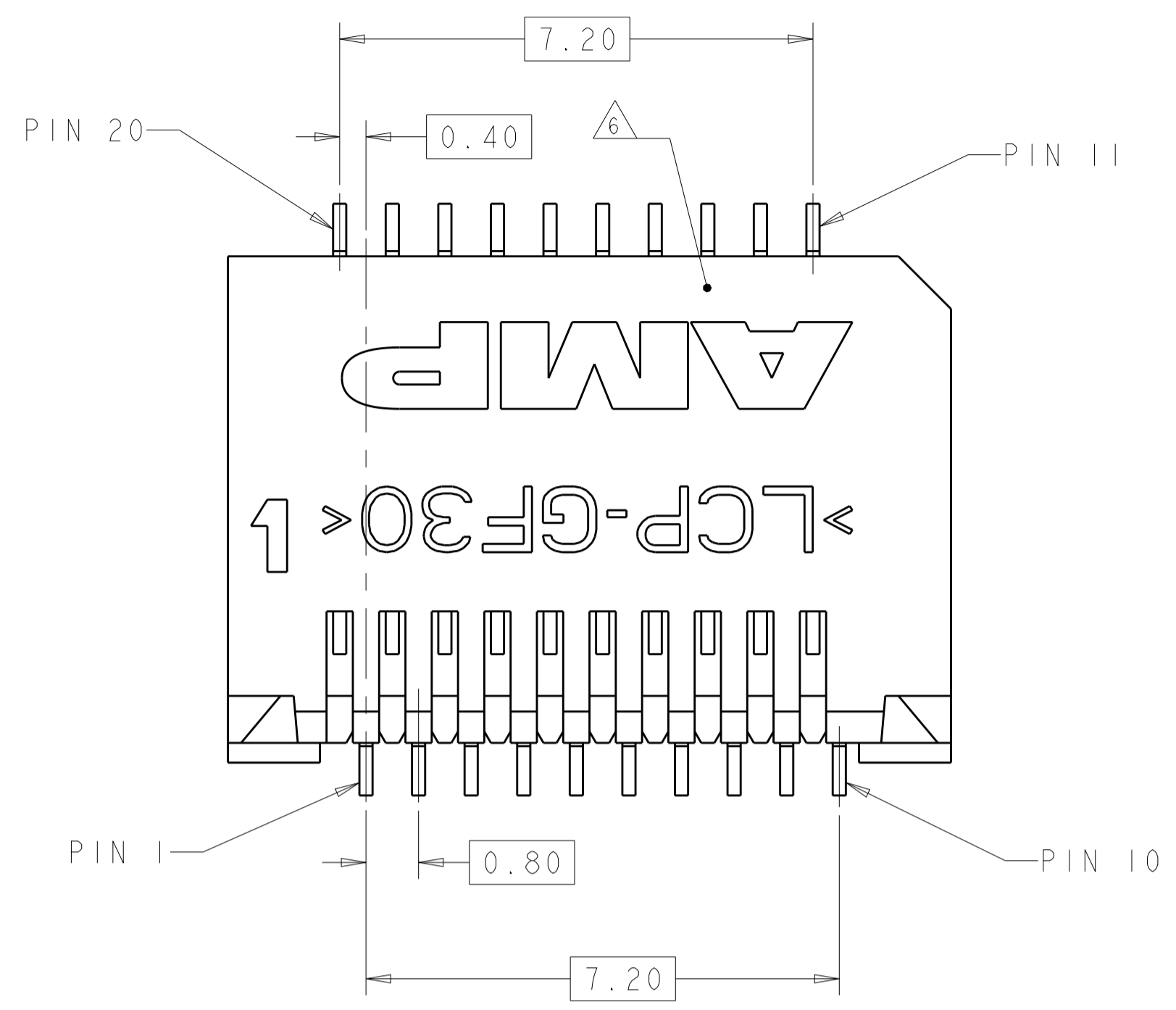
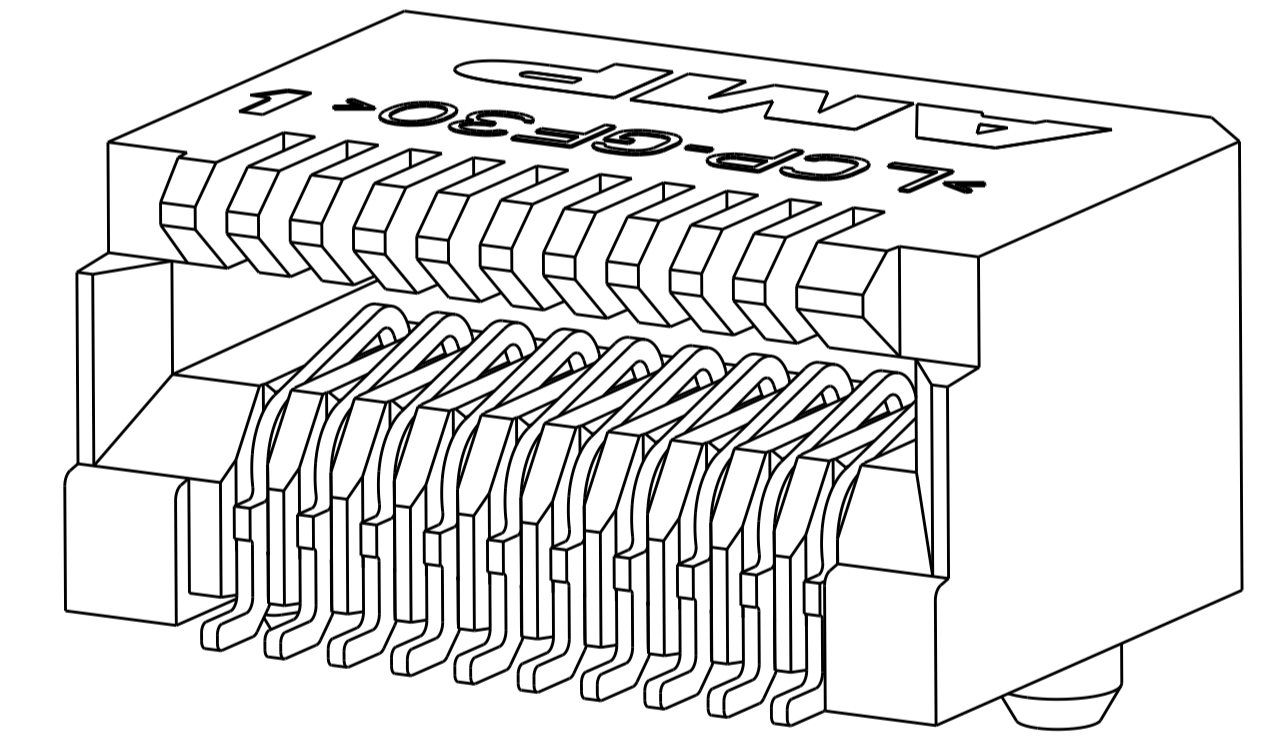


LOC	DIST	REVISIONS			
P	LTN	DESCRIPTION	DATE	DWN	APVD
K		REVISED PER ECO-12-015815	07NOV2012	TX	AC
L		REVISED PER ECO-15-018066	16DEC2015	PP	SH
M		UPDATE NICKEL PLATING AND ADD NOTE 8	20JUN2017	JW	SH



- 1. MATERIAL:  
HOUSING: HIGH TEMPERATURE LCP, UL 94V-0 RATED, BLACK  
CONTACTS: PHOSPHOR BRONZE.
- 2. FINISH:  
CONTACTS: 0.00076 MIN GOLD ON CONTACT AREA, 0.00013 MIN GOLD ON SOLDER AREA. ALL OVER 0.00127 MIN NICKEL UNDERPLATE ON ENTIRE CONTACT. LUBRICANT ON GOLD PLATE CONTACT AREAS.
- 3. PACKAGED 480 PIECES PER REEL.
- 4. DATUMS AND BASIC DIMENSIONS TO BE ESTABLISHED BY CUSTOMER, SEE DRAWING 1367034 FOR LAYOUT WHEN USED WITH 1367034-1 BOTTOM CAGE (STANDARD SFP APPLICATION).
- 5. FINISH:  
CONTACTS: 0.00038 MIN GOLD ON CONTACT AREA, 0.00013 MIN GOLD ON SOLDER AREA. ALL OVER 0.00127 MIN NICKEL UNDERPLATE ON ENTIRE CONTACT. LUBRICANT ON GOLD PLATE CONTACT AREAS.
- 6. PULL GROOVES PERMITTED ON THESE SURFACES AT MOLDING ENGINEERING DISCRETION
- 7. FOR ESD PROTECTION TAPE AND REEL PACKAGE ONLY. MATERIALS (COVER TAPE, EMBOSS TAPE, REEL, INNER LABEL ON REEL) USED WITH AN EPA AREA MUST PRIMARILY BE ELECTROSTATIC CONDUCTIVE OR ELECTROSTATIC DISSIPATIVE. NO MATERIAL SHOULD BE CHARGED UP TO MORE THAN 100 VOLTS.
- 8. TEMPERATURE RATING: -55°C TO 105°C



NO	2	1888247-5
YES	3	1888247-4
YES	2	1888247-3
NO	3	1888247-2
NO	2	1888247-1
DATE CODE	FINISH	PART NUMBER

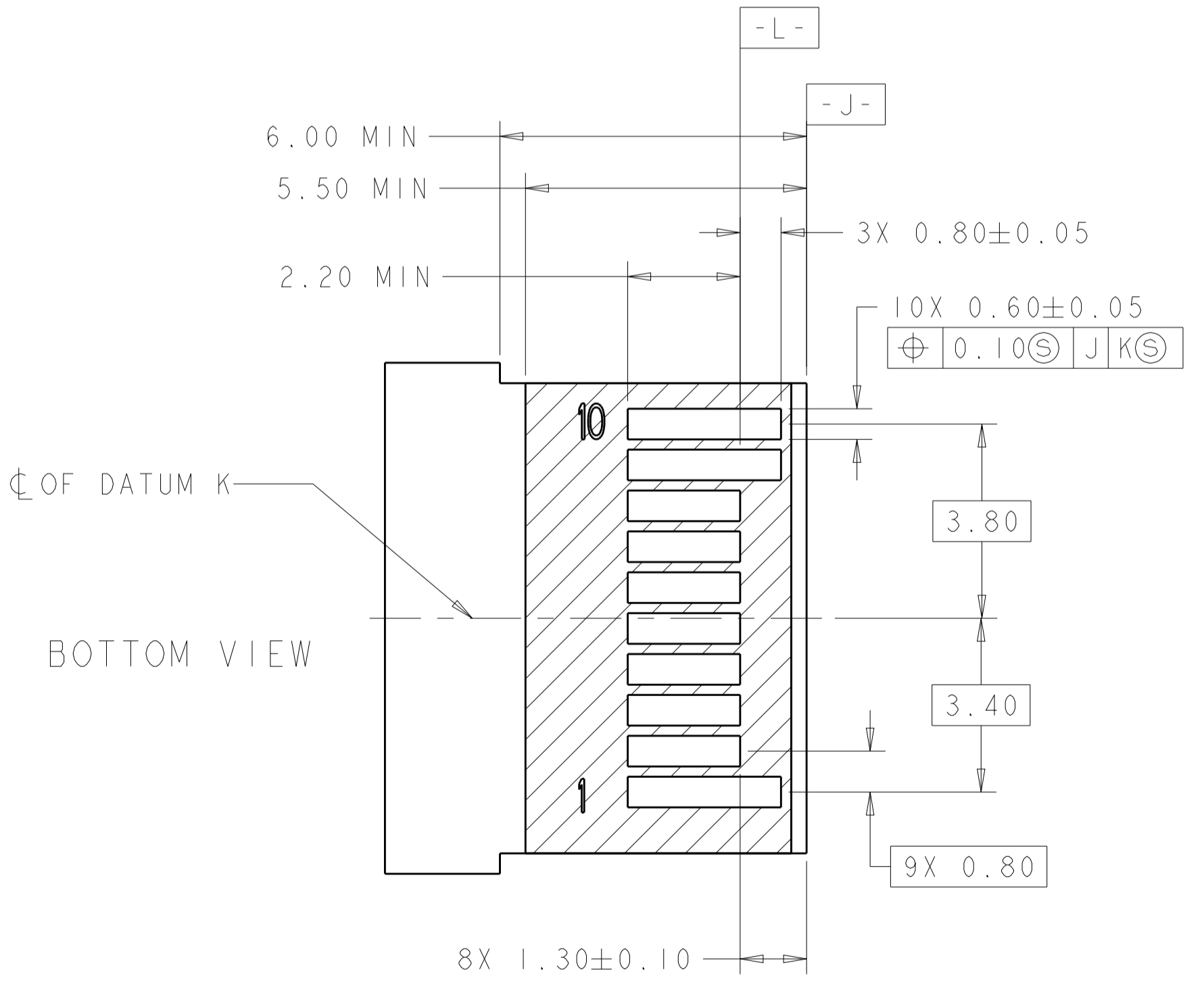
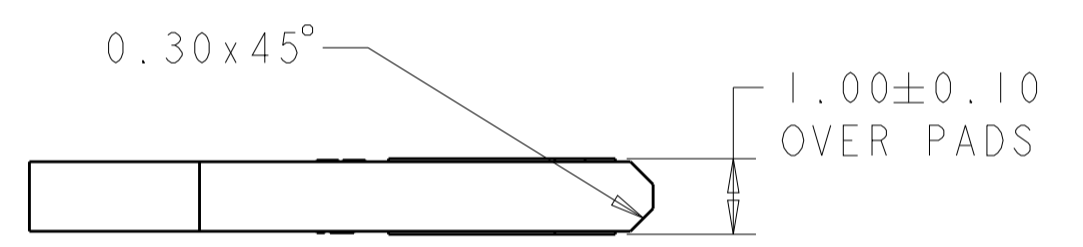
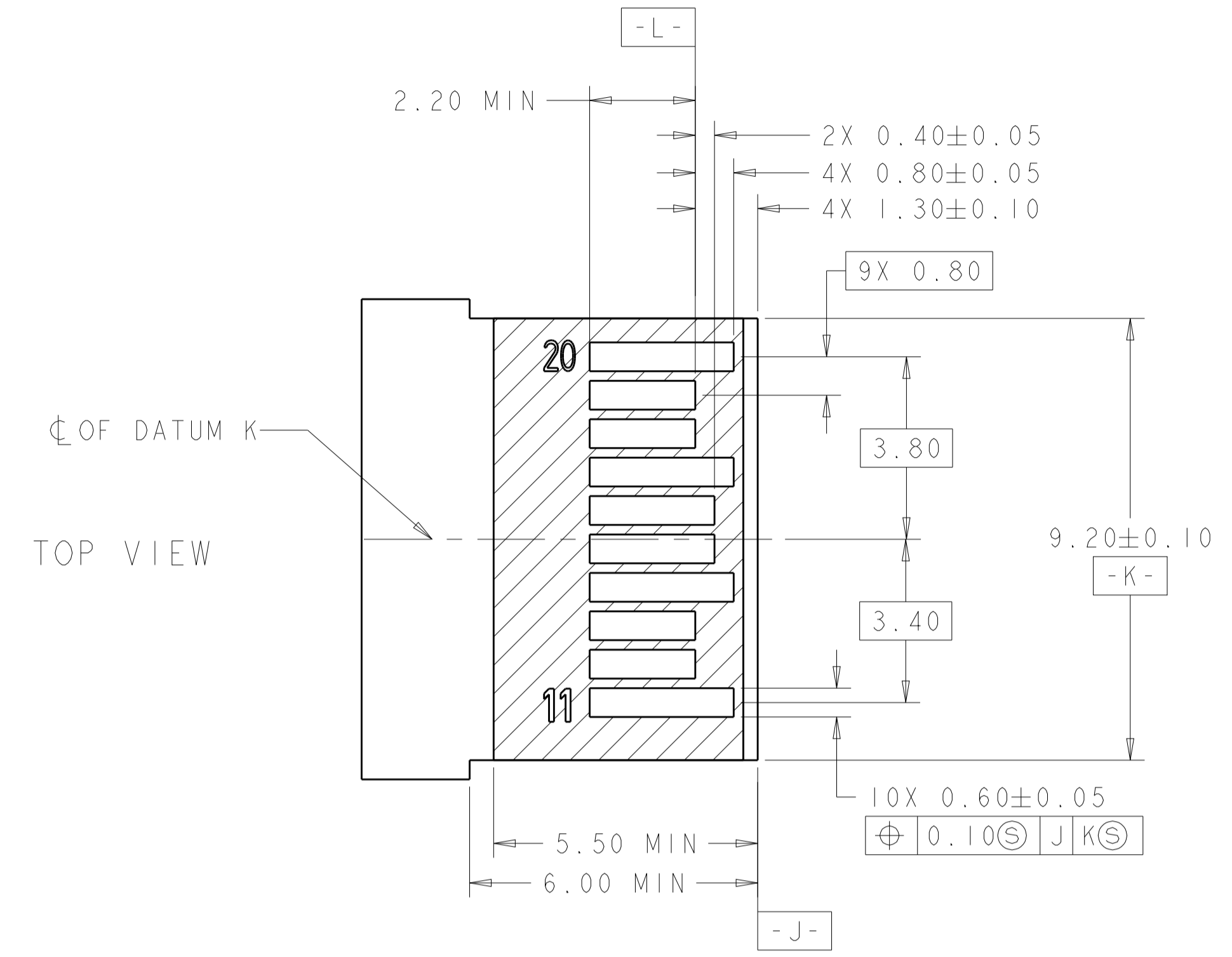
DIMENSIONS:		TOLERANCES UNLESS OTHERWISE SPECIFIED:		MATERIAL:	
mm	0 PLC ±	1 PLC ±0.10	2 PLC ±	3 PLC ±	4 PLC ±
	ANGLES	FINISH			

OWN	B. MCMASTER	14FEB06
CHK	S. SHUEY	14FEB06
APPD	S. SHUEY	14FEB06
PRODUCT SPEC	108-1949	
APPLICATION SPEC	114-13017	
WEIGHT		
CUSTOMER DRAWING		

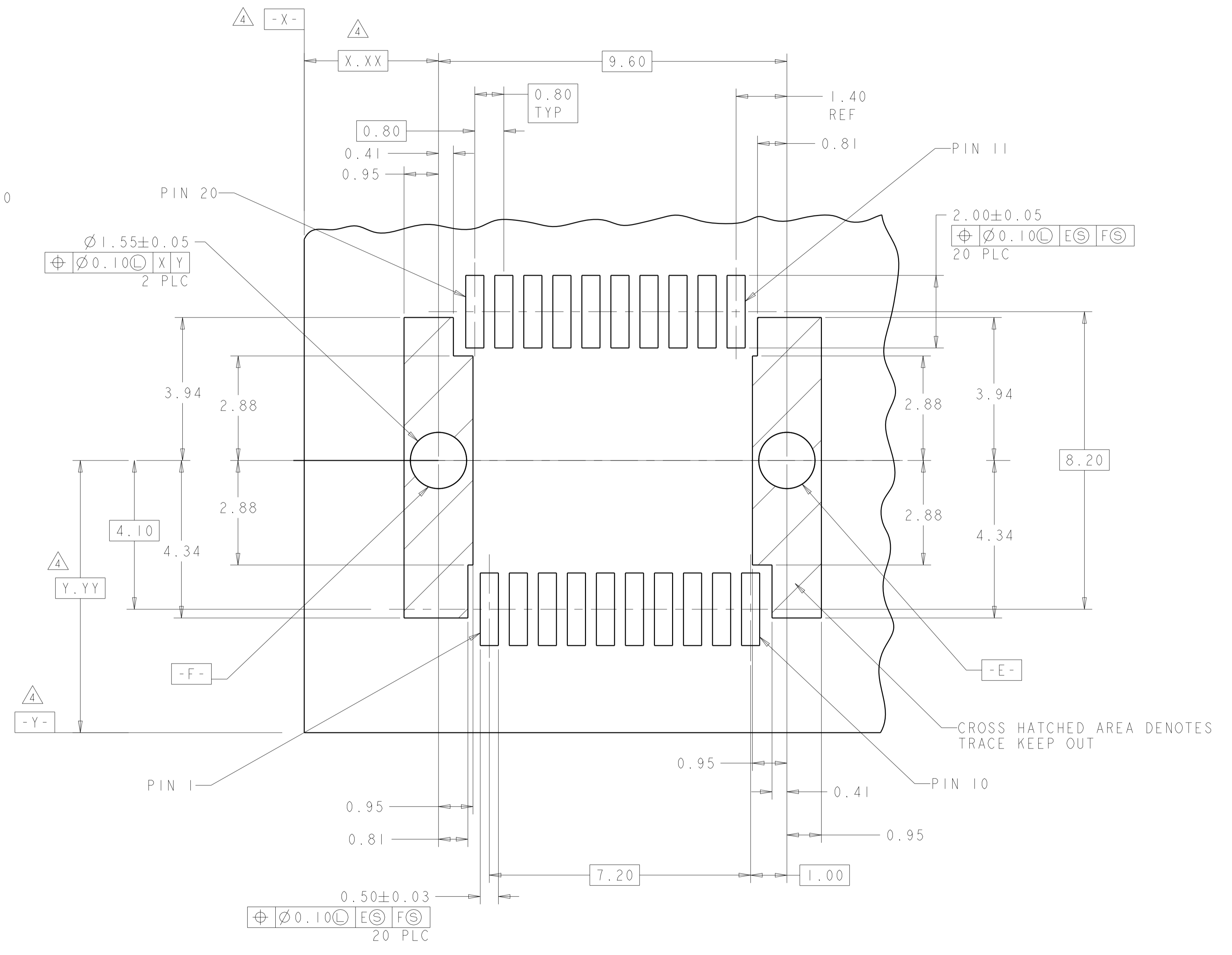
NAME	PT CONNECTOR ASSEMBLY, 20 POS, RIGHT ANGLE, 0.8mm PITCH, SFP+
SIZE	CAGE CODE DRAWING NO
RESTRICTED TO	A100779C=1888247
SCALE	12:1
SHEET	1 OF 3
REV	M

DETAIL H  
SCALE 25:1

LOC		DIST		REVISIONS			
ES	00	P	LTN	DESCRIPTION	DATE	DWN	APVD
		-		SEE SHEET 1			



RECOMMENDED LAYOUT DETAIL  
 MATING TRANSCEIVER PCB  
 SCALE 10:1



RECOMMENDED PCB LAYOUT DETAIL  
 CONNECTOR MOUNTING SIDE  
 SCALE 14:1

THIS DRAWING IS A CONTROLLED DOCUMENT.		DWN B. MCMASTER 14FEB06	14FEB06		TE Connectivity
DIMENSIONS:		CHK S. SHUEY 14FEB06	14FEB06		
TOLERANCES UNLESS OTHERWISE SPECIFIED:		APVD S. SHUEY 14FEB06	14FEB06	NAME PT CONNECTOR ASSEMBLY, 20 POS, RIGHT ANGLE, 0.8mm PITCH, SFP+	
mm	0 PLC ± 1 PLC ±0.10 2 PLC ± 3 PLC ± 4 PLC ±	PRODUCT SPEC 108-1949		APPLICATION SPEC	
MATERIAL		FINISH	114-13017	RESTRICTED TO	
CUSTOMER DRAWING		SCALE	12:1	SHEET 2 OF 3	
A100779		C=1888247		REV M	



# Mouser Electronics

Authorized Distributor

Click to View Pricing, Inventory, Delivery & Lifecycle Information:

[TE Connectivity:](#)

[1888247-2](#)