



DC POWER CONNECTORS: KLDHCX-MM Series
High Current Mid Mount DC Power Jack

Product Features

- 2.0mm and 2.5mm
- Built-In DC On/Off Switch
- High Current, Rated 5A
- Good For Low Profile Applications
- Shielded
- CSA/NRTL Certified File No. LR78160

Performance Specifications

Materials and Finish

- Body:** High Temperature Thermoplastic, UL 94V-0, Color Black
- Contact #1:** Brass, Gold Flash
- Contact #2:** Phosphor Bronze, Gold Flash
- Contact #3:** Brass, Gold Flash

Electrical Characteristics

- Rated Voltage:** 24V RMS
- Rated Current:** 5A
- Contact Resistance:**
Between Terminals: 30 milliohms Max.
Plug to Contacts: 50 milliohms Max.
- Insulation Resistance:** 100 Megohms Min. at 500V DC
- Dielectric Withstanding Voltage:** 500V for 1 Minute

Mechanical Characteristics

- Durability:** 5000 Cycles
- Insertion Force:** 0.3kg - 3.0kg
- Extraction Force:** 0.3kg -3.0kg
- Operating Temperature:** -25°C to +70°C

2D Drawing	IGES	STEP	3D PDF
Solder Profile	CofC RoHS Compliant	CofC REACH Compliant	UL Plastic File
Certificate of Origin	Check Stock	Request a Sample	Send Us An Email

Generated Part Number



Part Number Builder

-
 Series Diameter Packaging

Series

KLDHCX-MM-0202 - High Current Mid Mount DC Power Jack

Diameter

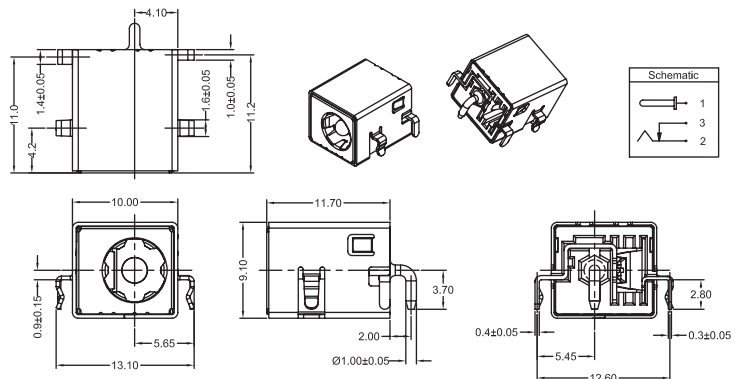
- A - 2.0mm Center Pin Diameter
- B - 2.5mm Center Pin Diameter

Packaging

TR - Tape and Reel

Contact Kycon For Other Options

KLDHCX-MM Series
Dimensions in mm



Mouser Electronics

Authorized Distributor

Click to View Pricing, Inventory, Delivery & Lifecycle Information:

[Kycon:](#)

[KLDHCX-MM-0202-ATR](#) [KLDHCX-MM-0202-BTR](#)