

Features

Switching Regulator

- Efficiency up to 96%, no need for heatsinks
- Build-in diode protection circuit
- Low profile (LxWxH= 11.5 x 8.5 x 17.5mm)
- Continuous short circuit protection
- RoHS compliant
- IEC/EN60950 certified



R-78W-0.5

0.5 Amp
SIP3 Wired
Single Output



Description

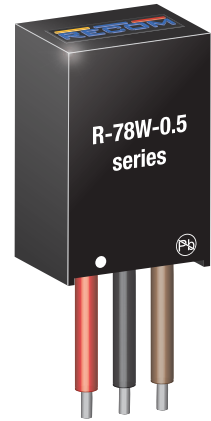
The R-78W series offers wired 0.5A switching regulators which are ideally suited to offer a stable voltage supply without the need for a PCB for applications like high power LED lighting, battery powered systems, cooling systems, or fans. Due to the high efficiencies of up to 96% there is no need for a heat sink. The compact modules feature fully protected outputs and draw only 1mA under no load conditions.

Selection Guide

| Part Number | Input Voltage Range [VDC] | Output Voltage [VDC] | Output Current [A] | Efficiency @ min Vin [%] | Max. Capacitive Load ⁽¹⁾ [µF] |
|--------------|---------------------------|----------------------|--------------------|--------------------------|--|
| R-78W3.3-0.5 | 6.5 - 32 | 3.3 | 0.5 | 88 | 220 |
| R-78W5.0-0.5 | 6.5 - 32 | 5.0 | 0.5 | 93 | 220 |
| R-78W9.0-0.5 | 11 - 32 | 9.0 | 0.5 | 95 | 220 |
| R-78W12-0.5 | 15 - 32 | 12.0 | 0.5 | 96 | 220 |

Notes:

Note1: Max. Cap Load is tested at nominal input and full resistive load 6800µF with <1sec start-up time



Model Numbering

R-78W -0.5

Output Voltage _____ Output Current _____

IEC60950-1 certified
EN60950-1 certified

Specifications (measured at Ta= 25°C, full load, nominal input voltage and after warm-up)

| BASIC CHARACTERISTICS | | | | |
|--|------------------|--------|---------|---------|
| Parameter | Condition | Min. | Typ. | Max. |
| Input Voltage Range | nom. Vin = 24VDC | 6.5VDC | 24VDC | 32VDC |
| Quiescent Current | | | 5mA | 7mA |
| Internal Power Dissipation | | | | 0.4W |
| Minimum Load ⁽²⁾ | | 0% | | |
| Internal Operating Frequency | | 280kHz | 330kHz | 380kHz |
| Output Ripple and Noise ⁽³⁾ | 20MHz BW limited | | 50mVp-p | 75mVp-p |

Notes:

- Note2: Operation under no load will not harm the converter, but specifications may not be met
A minimum load of 6mA is recommended
- Note3: Measurements are made with a 100nF MLCC across output (low ESR)

Specifications (measured at Ta= 25°C, full load, nominal input voltage and after warm-up)

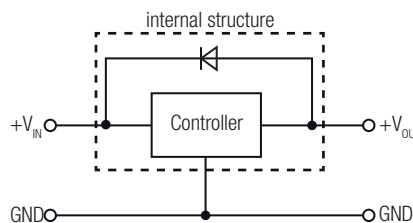
REGULATIONS

| Parameter | Condition | Type | Value |
|-------------------------|--|-----------------------------|---|
| Output Accuracy | | all models | ±2% typ. / ±3% max. |
| Line Voltage Regulation | low line to high line, full load | 3.3VDC, 5VDC 9VDC, 12VDC | ±0.2% typ. / ±0.4% max. ±0.1% typ. / ±0.2% max. |
| Load Voltage Regulation | 10% to 100% load | 3.3VDC, 5VDC 9VDC, 12VDC | ±0.4% typ. / ±0.6% max. ±0.25% typ. / ±0.4% max. |
| Transient Response | 50% - 100% Load, $\Delta I_o/\Delta t$ 25mA/ μ s 10% - 100% Load, $\Delta I_o/\Delta t$ 25mA/ μ s | all models | ±75mV typ. ±100mV max. |

PROTECTIONS

| Parameter | Type | Value |
|--------------------------------|------|--------------------------------|
| Short Circuit Protection (SCP) | | continuous, automatic recovery |

Reverse Current Protection

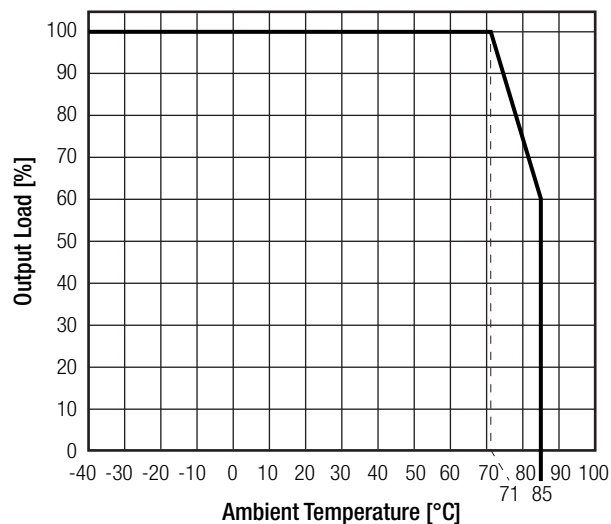


An internal blocking diode can prevent reverse current flow backwards into the output, as this can damage the converter when it is powered down.

ENVIRONMENTAL

| Parameter | Condition | Value |
|-----------------------------|---|--|
| Operating Temperature Range | with derating @ natural convection 0.1m/s (see graph) | -40°C to +85°C |
| Maximum Case Temperature | | +100°C |
| Temperature Coefficient | -40°C to +85°C ambient | 0.015%/°C |
| Thermal Impedance | 0.1m/s, vertical | 70°C/W typ. |
| Operating Altitude | | 2000m |
| Operating Humidity | non-condensing | 95% RH max. |
| Pollution Degree | | PD2 |
| MTBF | according to MIL-HDBK-217F, G.B. | + 25°C 9368 x 10 ³ hours |

Derating Graph



Specifications (measured at Ta= 25°C, full load, nominal input voltage and after warm-up)

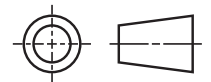
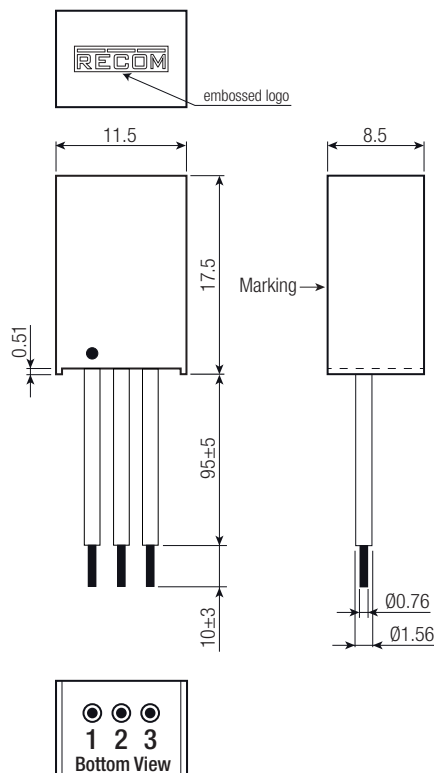
SAFETY AND CERTIFICATIONS

| Certificate Type (Safety) | Report / File Number | Standard |
|---|----------------------|--|
| Information Technology Equipment, General Requirements for Safety (LVD) | LVD1407030-1 | IEC60950-1:2005, 2nd Edition + AM 2:2013 EN60950-1:2006 + AM:2013 |
| EAC | RU-AT.49.09571 | TP TC 004/2011 |
| RoHs 2+ | | RoHS 2011/65/EU + AM2015/863 |

DIMENSION and PHYSICAL CHARACTERISTICS

| Parameter | Type | Value |
|---------------------------|-----------------|---|
| Material | case potting | non-conductive black plastic, (UL94 V-0) epoxy, (UL94 V-0) |
| Package Dimension (LxWxH) | | 17.5 x 11.5 x 8.5mm |
| Package Weight | | 4.8g typ. |

Dimension Drawing (mm)



Wire/cable information

| # | Function | Wire color | Type | AWG | Strands |
|---|----------|------------|---------|-----|---------|
| 1 | +Vin | red | UL-1430 | 22 | 14/0.16 |
| 2 | GND | black | UL-1430 | 22 | 14/0.16 |
| 3 | +Vout | brown | UL-1430 | 22 | 14/0.16 |

Tolerance: xx.x= ±0.5mm
xx.xx= ±0.25mm

PACKAGING INFORMATION

| Parameter | Type | Value |
|-----------------------------------|----------------|------------------------|
| Packaging Dimension (LxWxH) | cardboard box | 140.0 x 130.0 x 65.0mm |
| Packaging Quantity ⁽³⁾ | | 25pcs. |
| Storage Temperature Range | | -55°C to +125°C |
| Storage Humidity | non-condensing | 95% RH max. |

Notes:

Note3: 5 bubble packs each containing 5pcs in a cardboard box

The product information and specifications may be subject to changes even without prior written notice. The product has been designed for various applications; its suitability lies in the responsibility of each customer. The products are not authorized for use in safety-critical applications without RECOM's explicit written consent. A safety-critical application is an application where a failure may reasonably be expected to endanger or cause loss of life, inflict bodily harm or damage property. The applicant shall indemnify and hold harmless RECOM, its affiliated companies and its representatives against any damage claims in connection with the unauthorized use of RECOM products in such safety-critical applications.

Mouser Electronics

Authorized Distributor

Click to View Pricing, Inventory, Delivery & Lifecycle Information:

RECOM:

[R-78W12-0.5](#) [R-78W9.0-0.5](#) [R-78W5.0-0.5](#) [R-78W3.3-0.5](#)