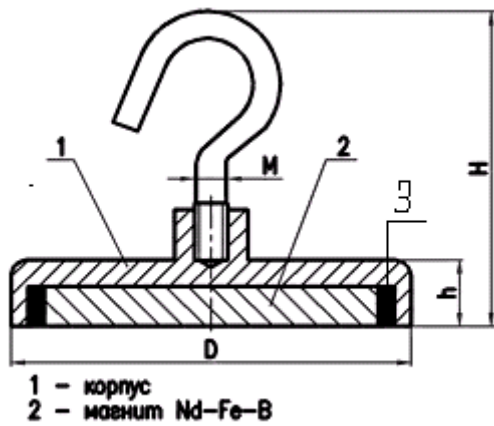


Magnetic Hook D = 16



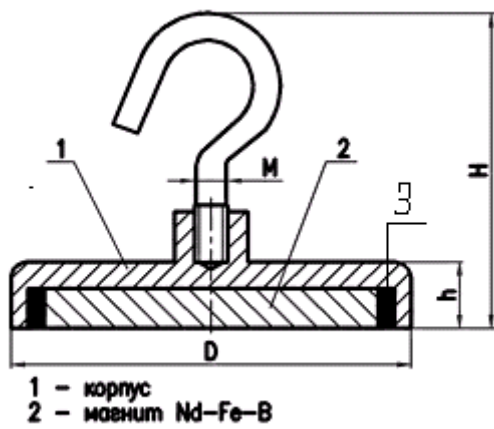
1 – Case (case & hook – non magnetic)

2 – magnetic Nd-Fe-B

3 - filler

D = 16mm; M = 4mm; h = 5mm; H = 33mm.

Magnetic Hook D = 20



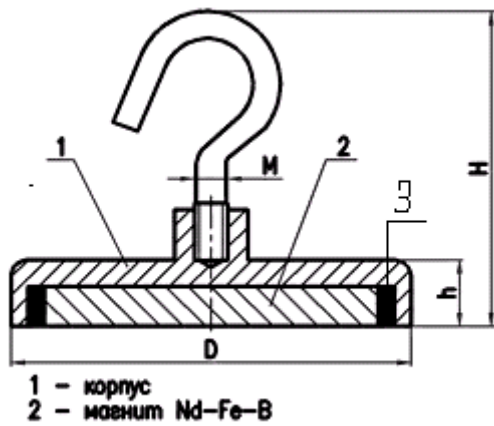
1 – Case (case & hook – non magnetic)

2 – magnetic Nd-Fe-B

3 - filler

D = 20mm; M = 4mm; h = 7mm; H = 40mm.

Magnetic Hook D = 25



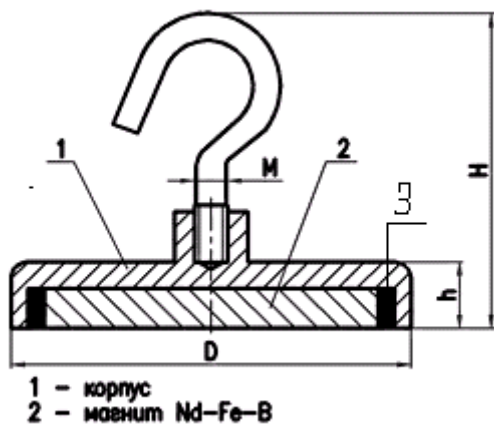
1 – Case (case & hook – non magnetic)

2 – magnetic Nd-Fe-B

3 - filler

D = 25mm; M = 5mm; h = 8mm; H = 46mm.

Magnetic Hook D = 32



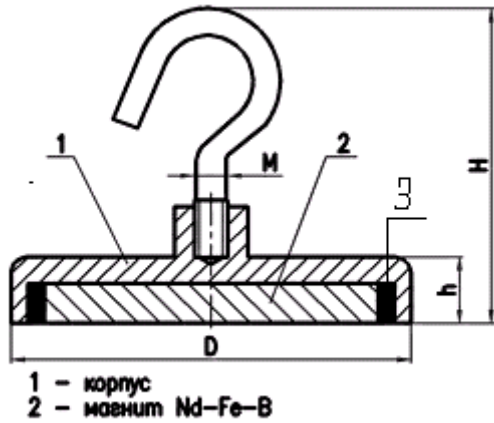
1 – Case (case & hook – non magnetic)

2 – magnetic Nd-Fe-B

3 - filler

D = 32mm; M = 6mm; h = 8mm; H = 46mm.

Magnetic Hook D = 36



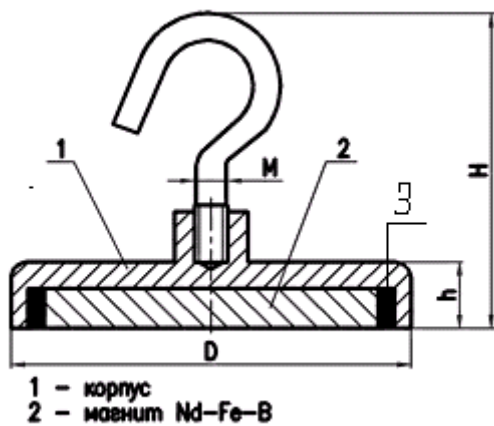
1 – Case (case & hook – non magnetic)

2 – magnetic Nd-Fe-B

3 - filler

D = 36mm; M = 6mm; h = 8mm; H = 46mm.

Magnetic Hook D = 42



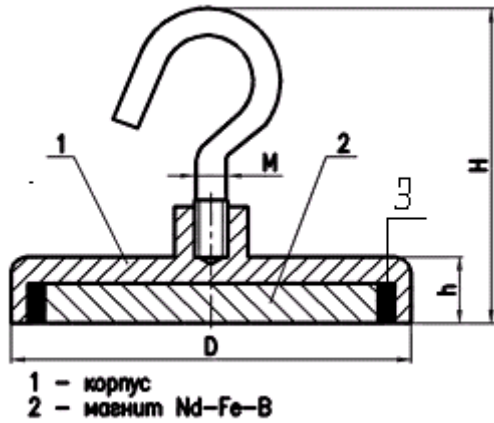
1 – Case (case & hook – non magnetic)

2 – magnetic Nd-Fe-B

3 - filler

D = 42mm; M = 6mm; h = 9mm; H = 47mm.

Magnetic Hook D = 48



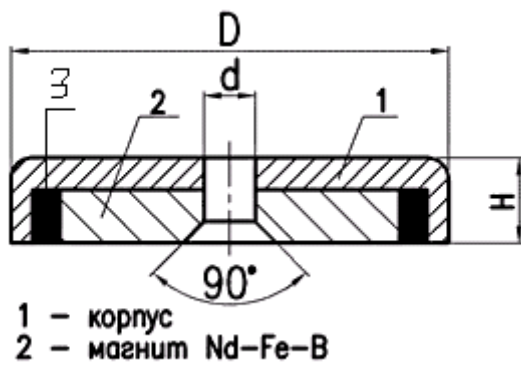
1 – Case (case & hook – non magnetic)

2 – magnetic Nd-Fe-B

3 - filler

D = 48mm; M = 8mm; h = 11,5mm; H = 58mm.

Magnetic disc D = 16



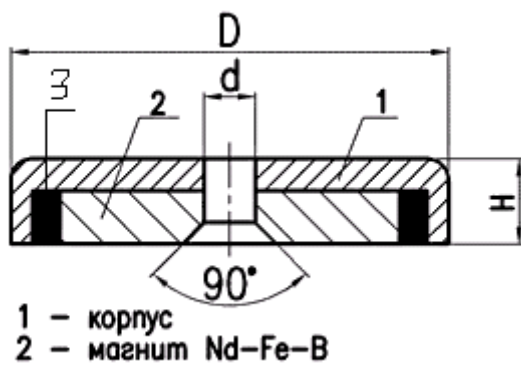
1 – Case (case non magnetic)

2 – magnetic Nd-Fe-B

3 – filler

D = 16mm; d = 3,5mm; H = 5mm

Magnetic disc D = 25



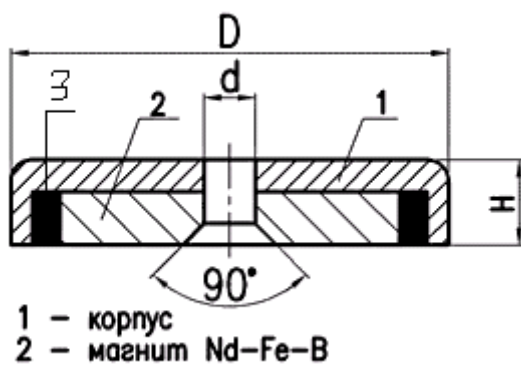
1 – Case (case non magnetic)

2 – magnetic Nd-Fe-B

3 – filler

D = 25mm; d = 5,5mm; H = 8mm

Magnetic disc D = 36



1 – Case (case non magnetic)

2 – magnetic Nd-Fe-B

3 – filler

D = 36mm; d = 6,5mm; H = 9mm