

# REGULATING AUTOTRANSFORMER

# OIEA



Open built autotransformers for non-step input voltage regulation in electrical installation and devices. Protection grade IP00. Maximum ambient temperature 45°C. Panel montage destination. Manufactured in compliance with EN61558-1, EN61558-2-14.

**Rated voltage PRI.:** 230 V

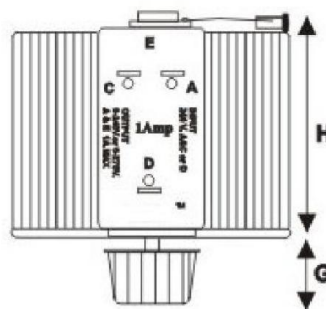
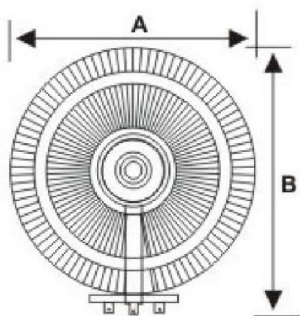
**Rated voltage SEC.:** 0 - 260 V

**Frequency:** 50 - 300 Hz

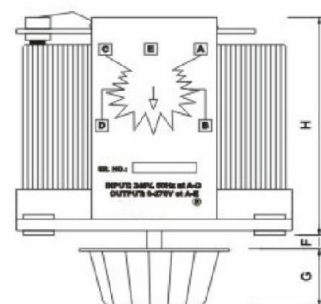
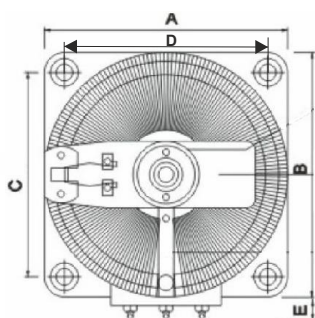
**Rated current SEC:** 1A, 2.8A, 5A, 6.5A, 12A



OIEA 1



OIEA 3; 6; 8; 15



Type	Current [A]	Maximum current [A]	Dimensions [mm]							Weight [kg]	IPXX	Frequency range [Hz]	Output voltage range		
			A	B	C=D	E	F	G	H				Ø	0..230 V	0..260V
OIEA 1	1,0	1,0	83	99	x	x	x	25	75	x	1,60	IP00	50-300	yes	yes
OIEA 3	2,8	3,0	110	110	92	10	6	25	75	7,5	3,30	IP00	50-300	yes	yes
OIEA 6	5,0	6,0	175	175	146	25	6	35	110	10	6,80	IP00	50-300	yes	yes
OIEA 8	6,5	8,0	175	175	146	25	6	35	130	10	8,00	IP00	50-300	yes	yes
OIEA 15	12,0	15,0	225	225	176	25	10	35	135	10	13,50	IP00	50-300	yes	yes

As a result of constant development of product construction and changes concerning technical requirements, Breve Tufvassons reserves the right to change the parameters mentioned above.

