

Spring-loaded rotating test probe

**DKS-100 217 150 G 2000**

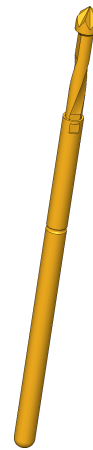
Item DKS-100-0002



**ingun**<sup>®</sup>

Partner for Future Technology

**INGUN SELECTION**



1:1

# Spring-loaded rotating test probe

## DKS-100 217 150 G 2000

Item DKS-100-0002



GO TO PRODUCT

ingun®

Partner for Future Technology

### General data

Product group	ICT / FCT (in-circuit test and function test)
Sub-product group	Rotating test probes
Series	DKS-100
Grid	2.54 mm [100 mil]
Contacting from	Pad, Via, Female connector
Magnetic	Yes
Installation type	Plug-in
Quick-exchange system	Yes
Adjustable installation height	No
Non-rotating	No
Compatible receptacle(s)	KS-100
Min. temperature	- 40 °C [- 104 °F]
Max. temperature	+ 80 °C [+ 176 °F]
RoHS-compliant	Yes

### Electrical data

Current load capacity / rated current	5 A
Typical resistance (Ri)	<20 mOhm

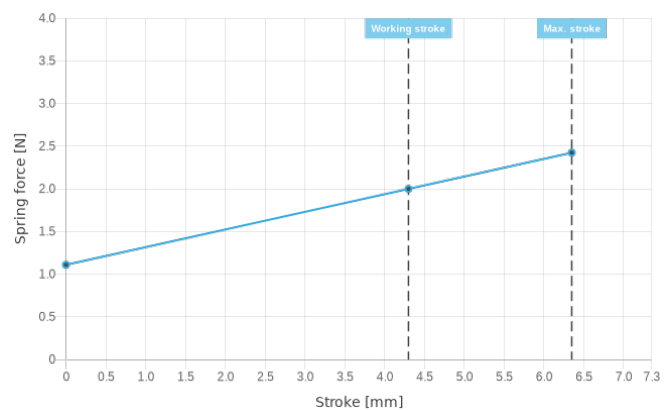
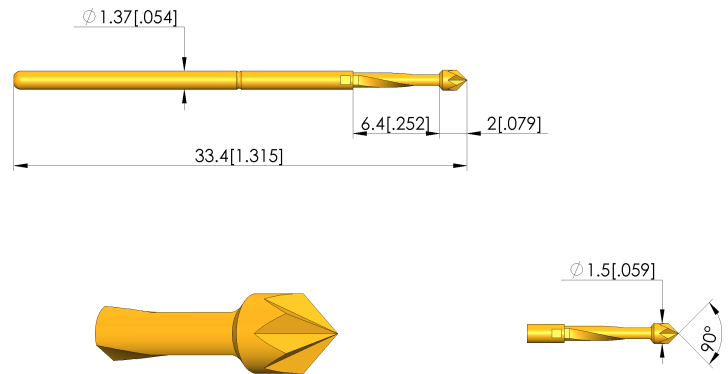
### Mechanical data

Total length	33.4 mm [1.31 in]
Barrel diameter	1.37 mm [.053 in]
Maximum stroke	6.35 mm [.25 in]
Spring pre-load	1.11 N [3.99 ozf]
Collar height	00
Spring force at working stroke	2 N [7.19 ozf]
Recommended working stroke	4.3 mm [.169 in]

### Tip style data

Tip style	17 hexagonal pyramid with cutting edges, self-cleaning
Tip diameter	1.5 mm [.059 in]
Tip style surface	G aurun
Tip style material	2 steel

### INGUN SELECTION



### INGUN Prüfmittelbau GmbH

Max-Stromeyer-Straße 162  
78467, Constance, Germany  
Phone +49 7531 8105-0  
Customer hotline +49 7531 8105-888  
Fax +49 7531 8105-65  
info@ingun.com



Prices and delivery times on request.  
Technical changes reserved. 11/22 EN

Weitere Informationen zum Thema  
ICT/FCT Test probes

