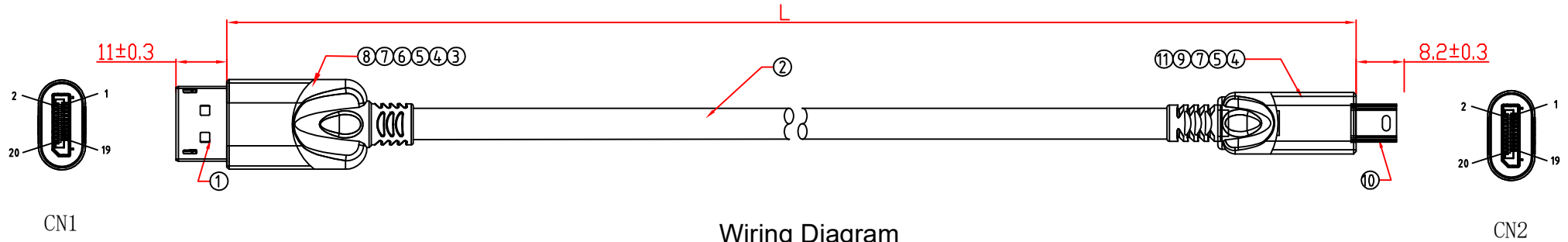


REV	DESCRIPTION	DATE



Wiring Diagram

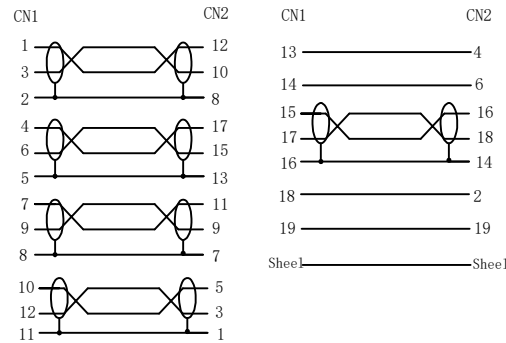


Figure No.	Length	Tolerance
CG685-1.5	1500mm	±20
CG685-1.8	1800mm	±20
CG685-2.0	2000mm	±20
CG685-3.0	3000mm	±30

1.Electrical Testing

- (1).100% open circuit, short circuit and misalignment test;
 - (2). Insulation impedance: DC voltage 300V impedance 10MΩMIN;
 - (3). Conduction impedance:5Ω;
 - (4). Hi-pot test: AC 200V/S,1mA ;
- 2.The products meet the requirements of ROHS, the company's environmental substance management standard.
- 3.100% Computer + display/TV 7680*4320/60HZ & 3840*2160/144HZ test .

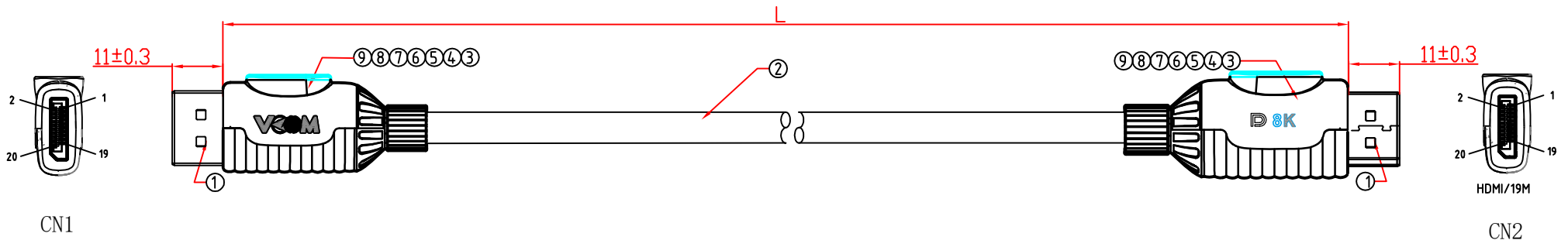
①	WIRE CLIP	MINI DP wire clip 30AWG Black PBT	1PCS
⑩	CONNECTOR	MINI DP A/M, PIN Gold plated G/F, Gold plated shell	1PCS
⑨	SHELL	MINI DP Silver white aluminum alloy shell	1PCS
⑧	SHELL	DP Silver white aluminum alloy shell	1PCS
⑦	COPPER FOIL	Double-sided conductive copper foil	/m
⑥	SHIELDING SHELL	DP Upper & Lower shield shell	1SET
⑤	COMPOUND	PVC 45P Black Compound	/KG
④	COMPOUND	PE Compound, Transparent color	/KG
③	WIRE CLIP	DP wire clip 30AWG Black PBT	1PCS
②	CABLE	(32AWG*1P+D32AWG*1C)*5P+32AWG*5C+ADB+Black and gray mesh Braid	/M
①	CONNECTOR	DP 20PA/M, PIN Gold plated G/F, Gold plated housing	1PCS
NO	NAME	Material Description	Usage



VCOM International Ltd.

TITLE	DP1.4V 20P A/M-MIN DP/M	CUSTOMER		UNIT	mm	PAGE:1of1
PART NO.		CUSTOMER NO.				
PRODUCT NO.	CG685	REV		A/0	DATE	2022-12-8
DRAWN BY:CHEN		CHECKED BY:		APPROVED BY:XIANG		

REV	DESCRIPTION	DATE



Wiring Diagram

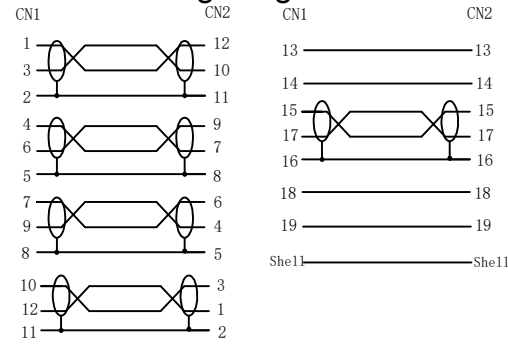


Figure No.	Length	Tolerance
CG634-3.0	3000mm	±30

1. Electrical Testing

- (1). 100% open circuit, short circuit and misalignment test;
 - (2). Insulation impedance: DC voltage 300V impedance 10MΩMIN;
 - (3). Conduction impedance: 5Ω;
 - (4). Hi-pot test: AC 200V/S, 1mA ;
2. The products meet the requirements of ROHS, the company's environmental substance management standard.
3. 100% Computer + display/TV 7680*4320/60HZ & 3840*2160/144HZ test .

⑨	SHELL	Gun black high-gloss zinc shell	2PCS
⑧	COPPER FOIL	Double-sided conductive copper foil	/m
⑦	SHIELDING SHELL	DP Lower shield shell	2PCS
⑥	SHIELDING SHELL	DP Upper shield shell	2PCS
⑤	COMPOUND	PVC 45P Black Compound	/KG
④	COMPOUND	PE Compound, Transparent color	/KG
③	WIRE CLIP	DP wire clip 30AWG Black PBT	2PCS
②	CABLE	(28AWG*1P+D30AWG*1C)*5P+30AWG*5C+ADB Black and gray mesh Braid	/M
①	CONNECTOR	Gold-plated black rubber core in DP cardless iron case	2PCS
NO	NAME	Material Description	Usage



VCOM International Ltd.

TITLE	DP1.4V 20P A/M TO 20P A/M	CUSTOMER	UNIT	mm	PAGE:1of1
PART NO.		CUSTOMER NO.			
PRODUCT NO.	CG634-3.0	REV	A/0	DATE	2022-12-8
DRAWN BY: CHEN		CHECKED BY:		APPROVED BY: XIANG	