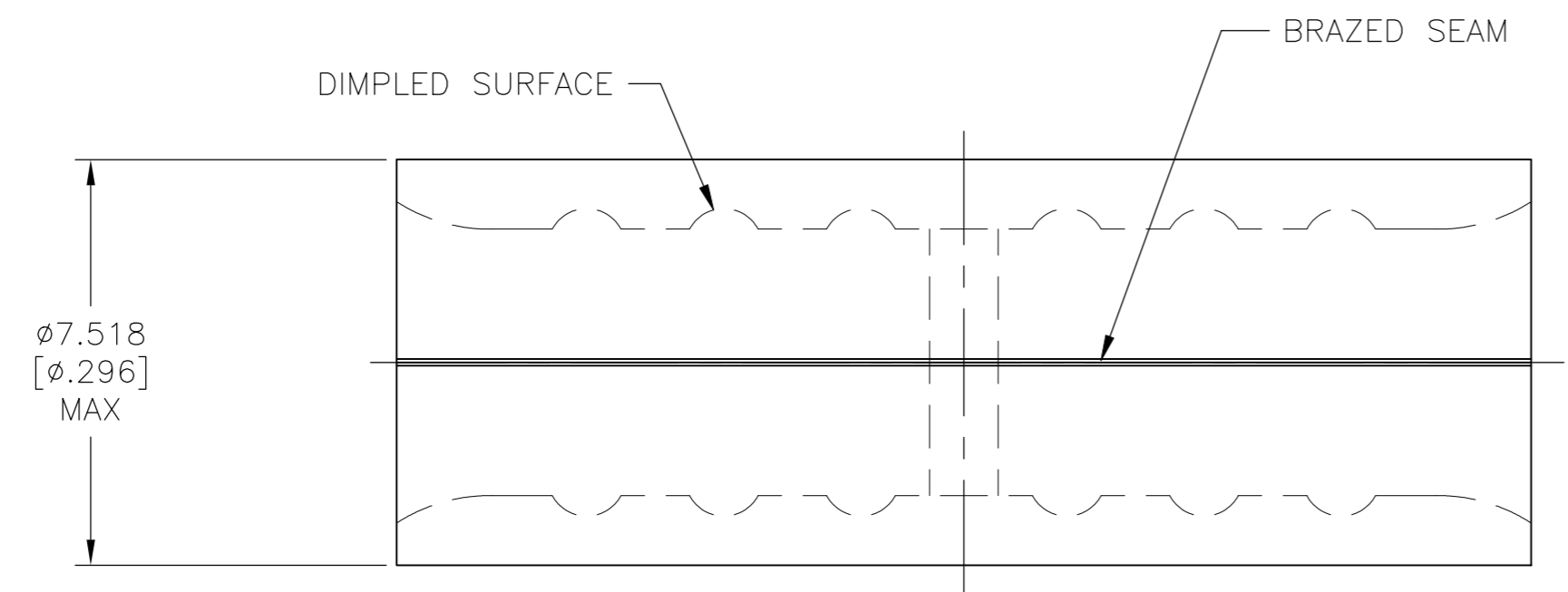


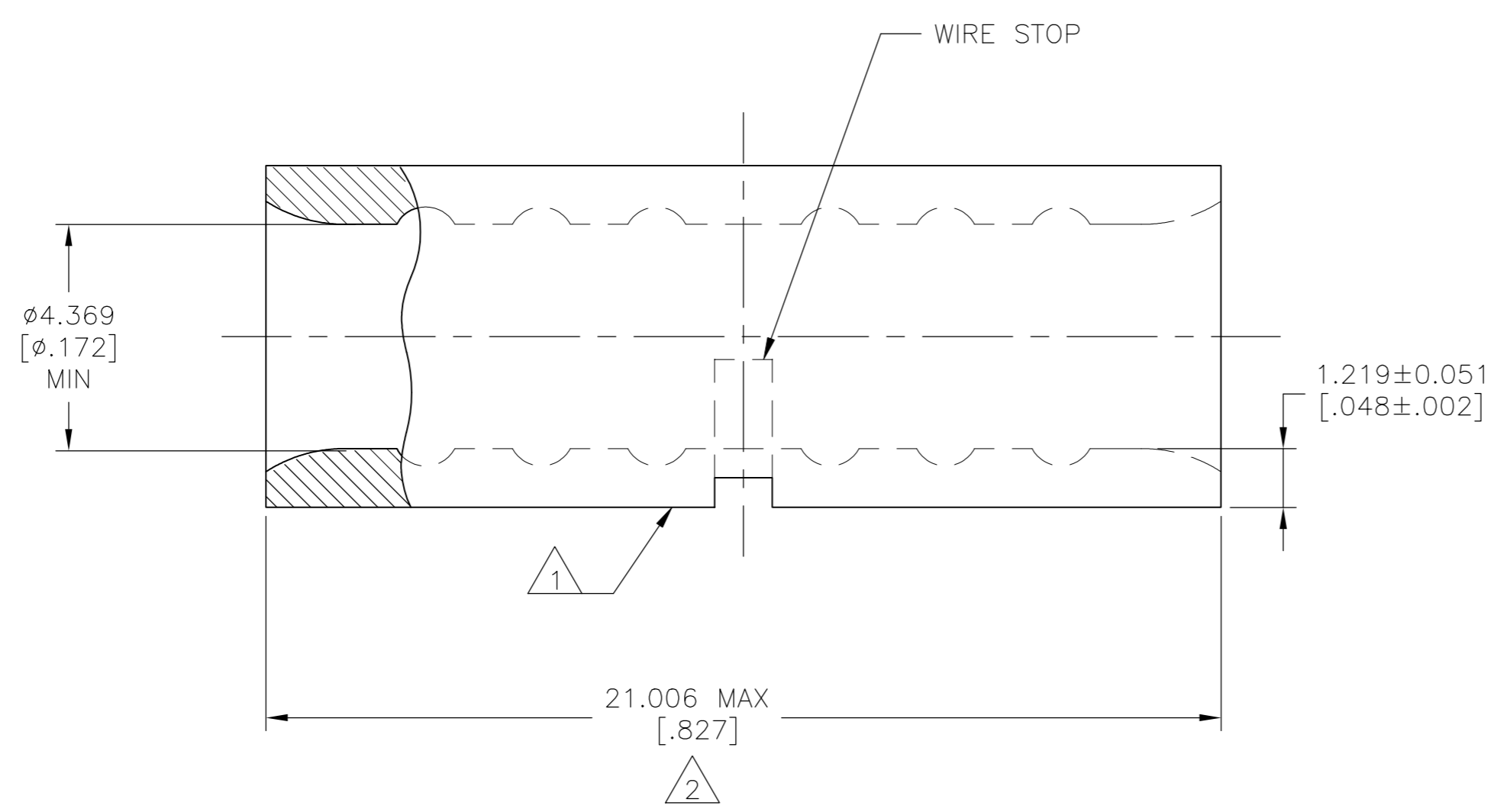
THIS DRAWING IS UNPUBLISHED.
 RELEASED FOR PUBLICATION
 ALL RIGHTS RESERVED.

REVISIONS					
P	LTR	DESCRIPTION	DATE	DWN	APVD
	C3	REVISED PER ECO-11-004917	11MAR11	RK	HMR
	C4	REVISED PER ECO-17-008806	19FEB2018	RS	DR



AMP WIRE RANGE	Listed FILE E13288	LR7189 Certified
8 AWG SOLID OR STRANDED	8 AWG STRANDED	8 AWG SOLID OR STRANDED

- 1 STAMP AMP 8W* APPROX AS SHOWN
- 2 MAXIMUM LENGTH DOES NOT INCLUDE MANUFACTURING TABS
- 3 COPPER PER ASTM B-152, ANNEALED
- 4 .000100 MIN TIN PLATE PER ASTM B-545
- 5 NOTE DELETED



AMP INCORPORATED CUSTOMER SERVICE SYSTEMS		MAX RECOMMENDED OPERATING TEMPERATURE: 170°C [338°F] MAX
FOR ADDITIONAL PRODUCT INFORMATION OR COPIES OF DRAWINGS AND TECHNICAL DOCUMENTS	PRODUCT INFORMATION CENTER 1-800-522-6752	VOLTAGE RATING: N/A
FOR APPLICATION TOOLING INFORMATION	TOOLING ASSISTANCE CENTER 1-800-722-1111	CIRCULAR MIL AREA: 6.64-10.5mm ² [13,100-20,800] SOLID OR STRANDED
FOR ORDER ENTRY	1-800-526-5142	THIS DRAWING IS A CONTROLLED DOCUMENT FOR AMP INCORPORATED. IT IS SUBJECT TO CHANGE AND THE CONTROLLING ENGINEERING ORGANIZATION SHOULD BE CONTACTED FOR THE LATEST REVISION.

THIS DRAWING IS A CONTROLLED DOCUMENT.		DWN 19JAN07 JR RUTH
DIMENSIONS: mm [INCHES]		CHK 19JAN07 M SPICER
TOLERANCES UNLESS OTHERWISE SPECIFIED:		APVD 19JAN07 M SPICER
0 PLC ± -	1 PLC ± -	PRODUCT SPEC
2 PLC ± -	3 PLC ± 0.127[.005]	APPLICATION SPEC
4 PLC ± -	ANGLES ± -	UL 486 A-B
MATERIAL	FINISH	WEIGHT
- 3	- 4	

25	LOOSE PIECE, BOX	8-34321-3
100	LOOSE PIECE	34321
QTY	PACKAGING TYPE	PART NO.
STE TE Connectivity Ltd.		
NAME SPLICE, BUTT, STANDARD, SOLISTRAND 8 AWG		
SIZE	CAGE CODE	DRAWING NO
A2	00779	C-34321
CUSTOMER DRAWING		RESTRICTED TO
SCALE	SHEET	REV
8:1	1 of 1	C4

Mouser Electronics

Authorized Distributor

Click to View Pricing, Inventory, Delivery & Lifecycle Information:

[TE Connectivity:](#)

[34321](#)