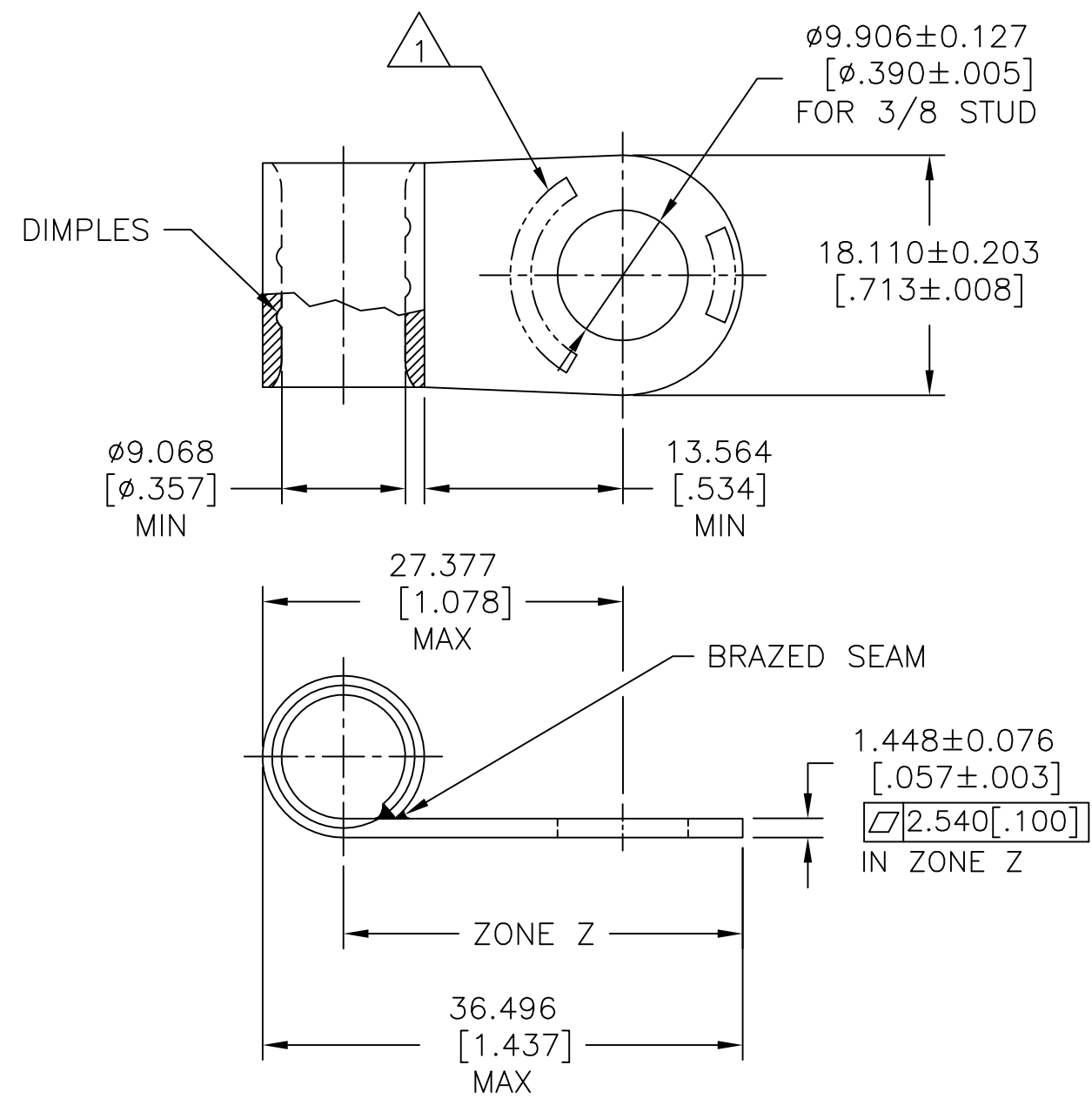


REVISIONS					
P	LTR	DESCRIPTION	DATE	DWN	APVD
	C	REVISED PER 0L20-0220-97	02OCT97	DKS	MJS
	C1	REVISED PER ECO-17-016781	10JAN2018	RS	DR



AMP WIRE RANGE	E13288 Listed
2 AWG SOLID OR STRANDED	2 AWG STRANDED
LR7189 Certified	MILITARY P/N AND CLASS
2 AWG SOLID OR STRANDED	NOT APPLICABLE

STAMP AMP 2W* 60-75 APPROX AS SHOWN.

50	LOOSE PIECE	321253
QTY	PACKAGE TYPE	AMP PART NUMBER

**AMP INCORPORATED
CUSTOMER SERVICE SYSTEMS**

FOR ADDITIONAL PRODUCT INFORMATION OR COPIES OF DRAWINGS AND TECHNICAL DOCUMENTS	PRODUCT INFORMATION CENTER 1-800-522-6752	RECOMMENDED OPERATING TEMPERATURE: 170°[338°F] MAX
FOR APPLICATION TOOLING INFORMATION	TOOLING ASSISTANCE CENTER 1-800-722-1111	VOLTAGE RATING: NOT APPLICABLE
FOR ORDER ENTRY	1-800-526-5142	WIRE CROSS SECTIONAL AREA RANGE: 26.7-42.4mm ² [52,600-83,700] CIR MILS SOLID OR STRANDED

THIS DRAWING IS A CONTROLLED DOCUMENT.

DIMENSIONS: mm [INCHES]	TOLERANCES UNLESS OTHERWISE SPECIFIED:
	0 PLC ± - 1 PLC ± - 2 PLC ± - 3 PLC ± 0.127[.005] 4 PLC ± - ANGLES ± -
MATERIAL COPPER PER ASTM B-152 ANNEALED	FINISH TIN PLATE 0.00254[.000100] MIN THK PER ASTM B-545

DWN DK SCHRUM 02OCT97	TE Connectivity	NAME		
CHK MJ SPICER 03OCT97		TERMINAL, RING TONGUE, FLAG, SOLISTRAND™ 2 AWG		
APVD JL MECKLEY 03OCT97		SIZE	CAGE CODE	DRAWING NO
PRODUCT SPEC UL 486 A-B		A3	00779	C=321253
APPLICATION SPEC	WEIGHT	RESTRICTED TO		
-	-	-		
CUSTOMER DRAWING	SCALE 2:1	SHEET 1 OF 1	REV C1	

Mouser Electronics

Authorized Distributor

Click to View Pricing, Inventory, Delivery & Lifecycle Information:

[TE Connectivity:](#)

[321253](#)