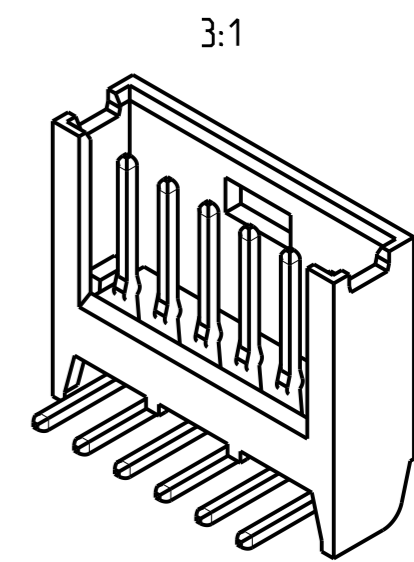
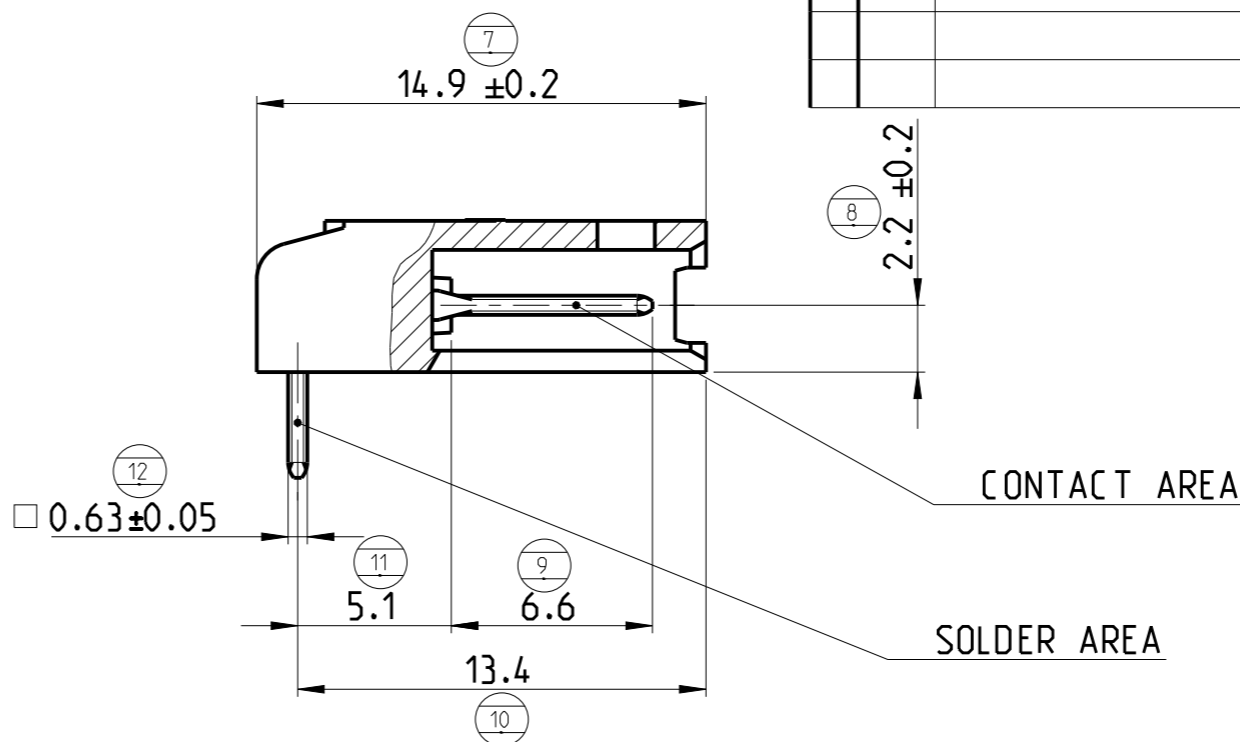
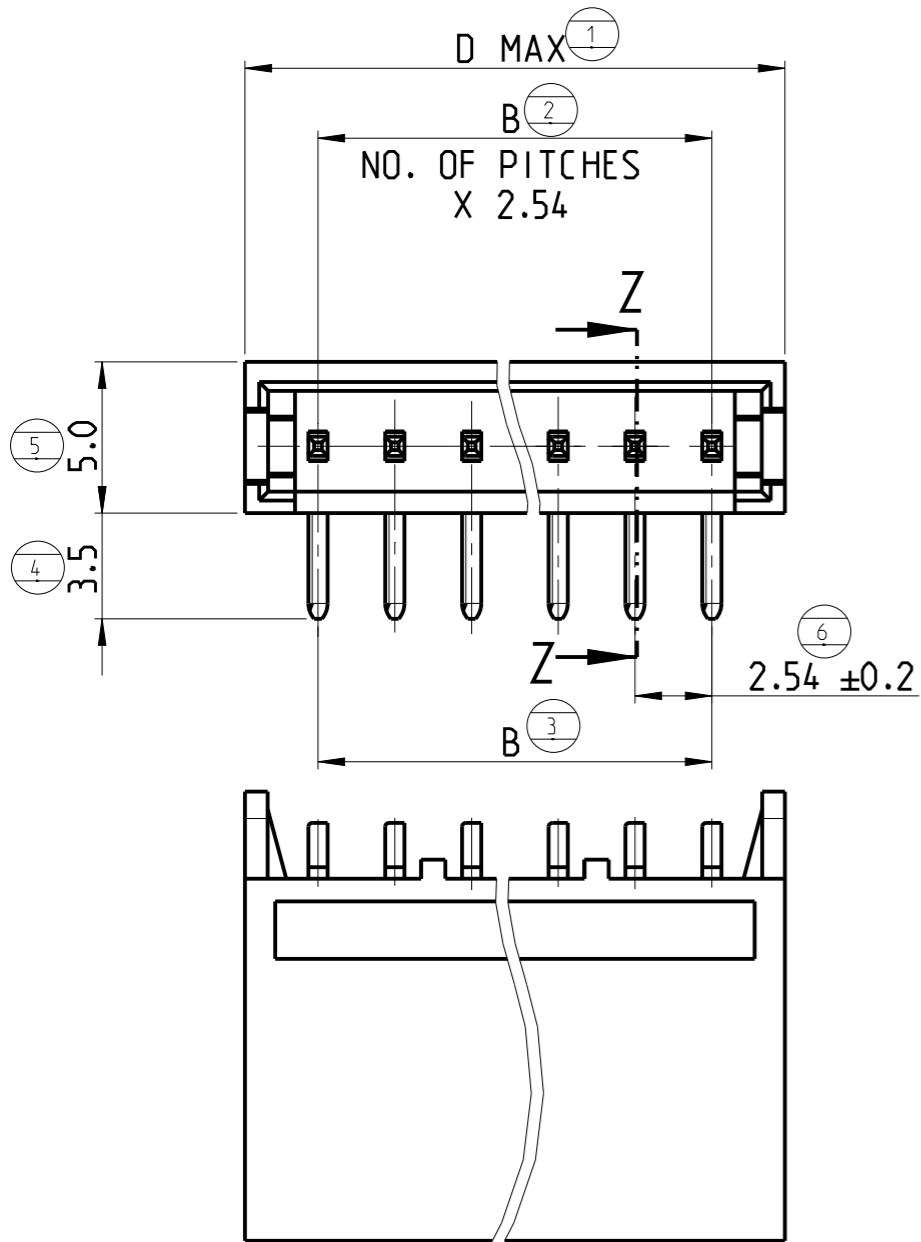


© 2021 TE Connectivity. All Rights Reserved.

REVISIONS

| P | LTR | DESCRIPTION | DATE | DWN | APVD |
|---|-----|-----------------------------------|-----------|-----|------|
| | T | REDRAWN. PLASTIC SUPPLIER CHANGED | 28MAY2021 | SB | KJK |



PARTIAL SEC. Z-Z

- NOTES:
- 1 FINISH: 3-5 μm TIN OVER MIN 1.27 μm NICKEL
 - 2 FINISH: DUPLEX PLATED MIN 0.38 μm GOLD IN CONTACT AREA AND 2.5 μm TIN IN SOLDER AREA. OVER MIN 1.27 μm NICKEL.
 - 3 FINISH: DUPLEX PLATED MIN 0.76 μm GOLD IN CONTACT AREA AND 2.5 μm TIN IN SOLDER AREA. OVER MIN 1.27 μm NICKEL.
 - 4 MATERIALS:
-HOUSINGS: FLAME RETARDANT THERMOPLASTIC. UL94V0. COLOR BLACK.
-TIN AND GOLD PLATED CONTACTS: BRASS
 - 5 OBSOLETE
 - 6 RECOMMENDED PCB HOLES DIA: 1.1⁺⁰_{-0.2}; 0.75 MIN. ADMITTED FOR 2 POS. ONLY

| | | | | | | | |
|------|-------|---|---------------------|---------------------|-------------|----|----------------------|
| 58.5 | 53.34 | 5 | 280383-3 | 280383-2 | 280383-1 | 22 | |
| 40.7 | 35.56 | 5 | 280382-3 | 280382-2 | 280382-1 | 15 | |
| 33.1 | 27.94 | 5 | 280523-3 | 280523-2 | 280523-1 | 12 | |
| 28.0 | 22.86 | | 280381-3 | 280381-2 | 280381-1 | 10 | |
| 25.4 | 20.32 | 5 | 280511-3 | 280511-2 | 280511-1 | 9 | |
| 22.9 | 17.78 | | 280380-3 | 280380-2 | 280380-1 | 8 | |
| 17.8 | 12.70 | | 280379-3 | 280379-2 | 280379-1 | 6 | |
| 12.7 | 7.62 | | 280378-3 | 280378-2 | 280378-1 | 4 | |
| 7.7 | 2.54 | | 280377-3 | 280377-2 | 280377-1 | 2 | |
| D | B | 3 | PART NUMBER | 2 | PART NUMBER | 1 | PART NUMBER NO. POS. |

THIS DRAWING IS A CONTROLLED DOCUMENT.

DWN G. CAMPIA 12FEB1990

CHK -

APVD -

PRODUCT SPEC 108-20025

APPLICATION SPEC -

WEIGHT -

CUSTOMER DRAWING

TE TE Connectivity

NAME AMPMODU II SHROUDED HEADER SINGLE ROW, RIGHT ANGLE POST

SIZE A3 CAGE CODE 00779 DRAWING NO C-280377 RESTRICTED TO

SCALE 4:1 SHEET 1 OF 1 REV T

Mouser Electronics

Authorized Distributor

Click to View Pricing, Inventory, Delivery & Lifecycle Information:

[TE Connectivity:](#)

[280380-1](#)