

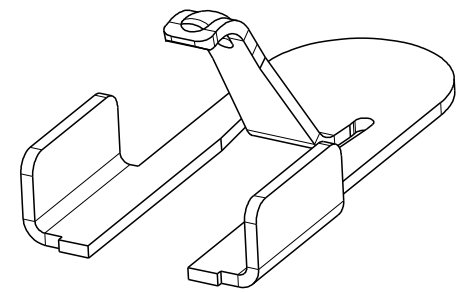
THIS DRAWING IS UNPUBLISHED. RELEASED FOR PUBLICATION

© COPYRIGHT - BY - ALL RIGHTS RESERVED.

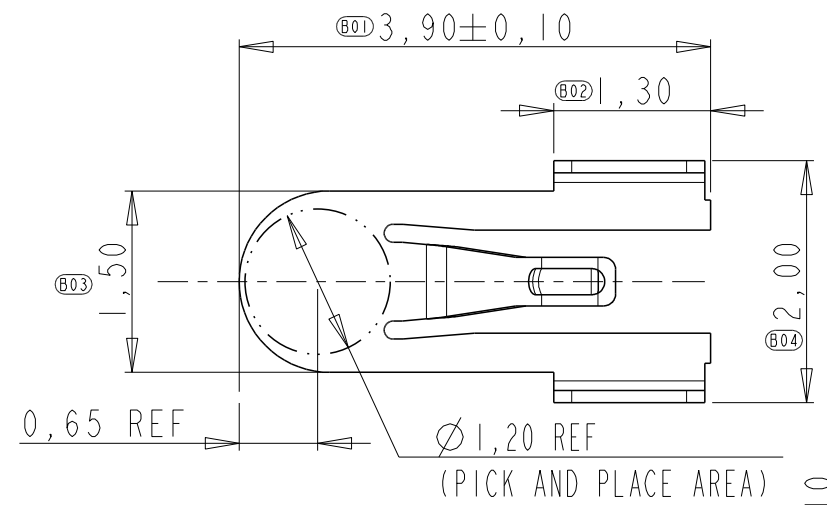
LOC ES DIST 00

REVISIONS

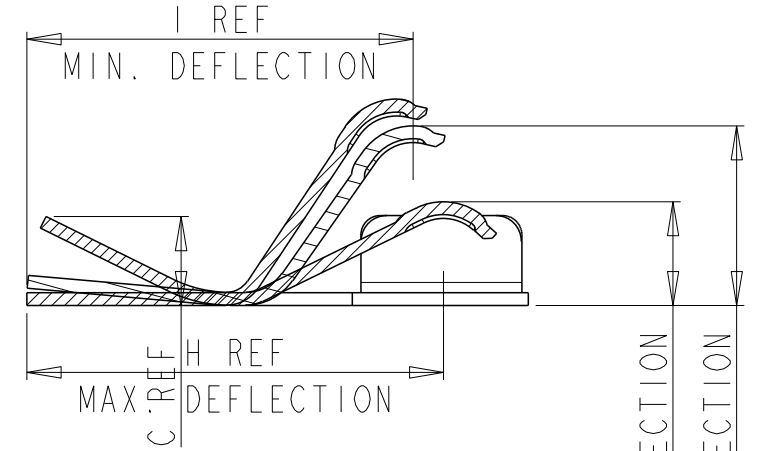
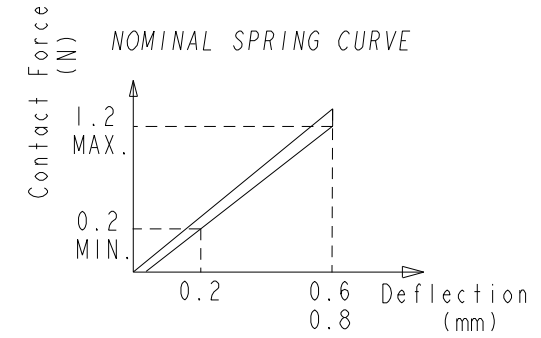
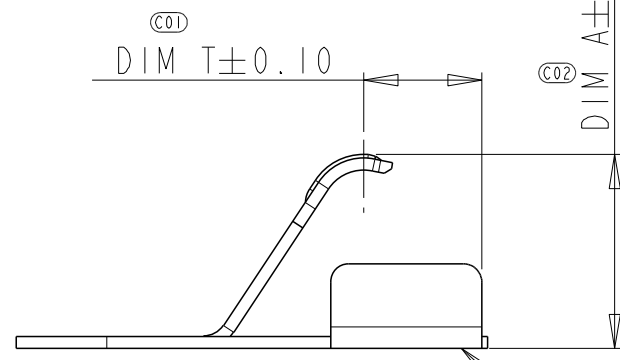
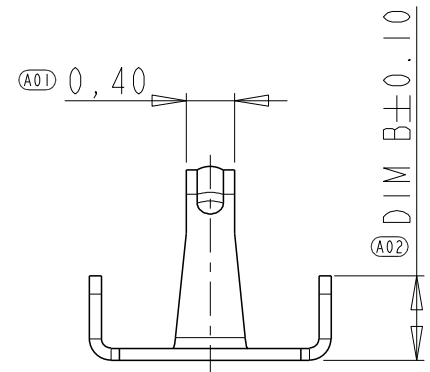
P	LTR	DESCRIPTION	DATE	DWN	APVD
	A	RELEASED	21JUL2014	J. J	W. H



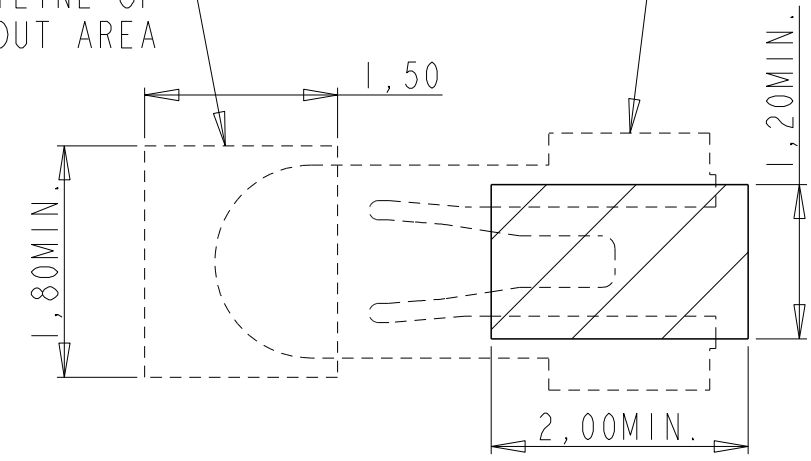
3D VIEW ONLY FOR REFERENCE



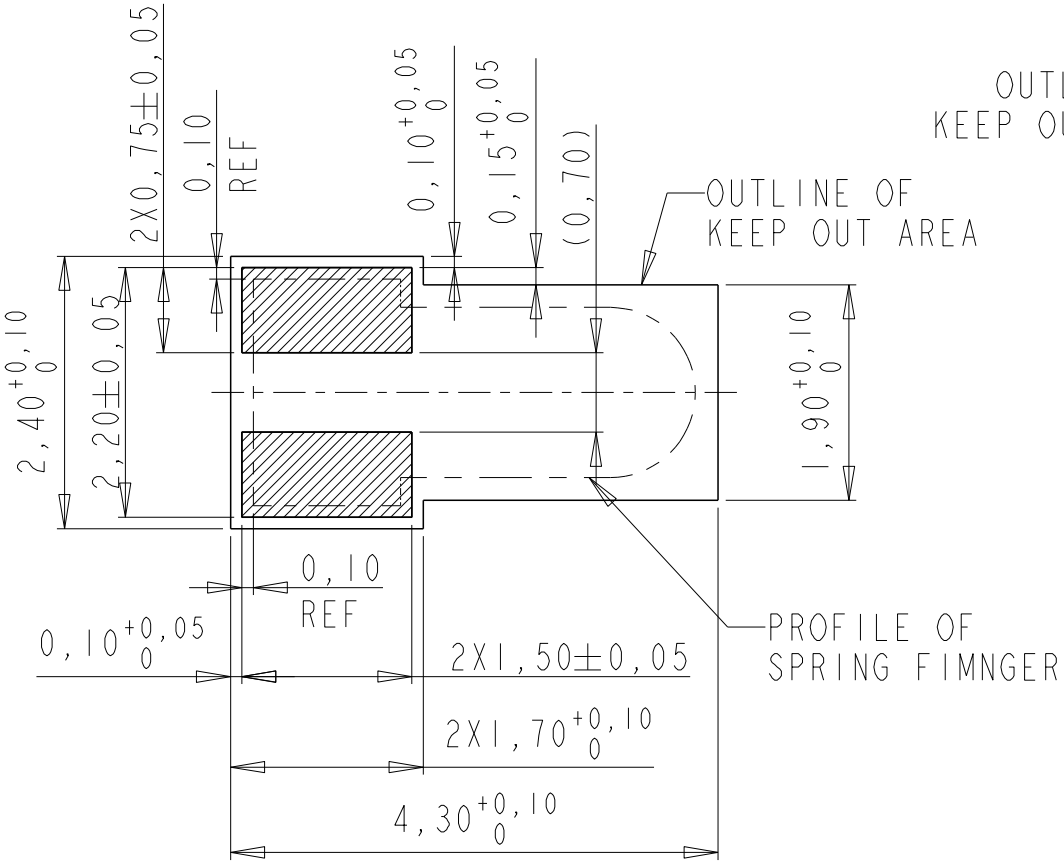
TE P/N	DIM A	DIM B	DIM C	DIM T	DIM H	DIM I	WORK RANGE	QUANTITY
2199248-4	1.0	0.3	0.34	0.63	3.25	3.24	0.4~0.8	11000
2199248-5	1.3	0.4	0.46	0.80	3.26	3.16	0.5~1.1	9000
2199248-6	1.6	0.7	0.69	1.02	3.24	3.00	0.8~1.4	8000



OUTLINE OF KEEP OUT AREA



RECOMMENDED MATING PWB LAYOUT



RECOMMENDED SOLDERING PWB LAYOUT

- 1 PART NUMBER: SEE TABLE.
- 2 MATERIAL: SUS THICKNESS=0.10MM.
- 3 PLATING: 2um MIN. NICKEL UNDERLAYER ALL OVER  
0,50um MIN. GOLD ON CONTACT SURFACE  
GOLD FLASH ON SOLDERING SURFACE
- 4 PICK AND PLACE SURFACE Ø1.2MM.

THIS DRAWING IS A CONTROLLED DOCUMENT.		DWN 23SEP2013 Tony Zhang		TE Connectivity	
DIMENSIONS: mm		CHK 23SEP2013 Wenke He			
TOLERANCES UNLESS OTHERWISE SPECIFIED:		APVD 23SEP2013 Wenke He		NAME	
0 PLC ±0.2		PRODUCT SPEC		SPRING FINGER TYPE A	
1 PLC ±0.15		108-115061-1		-	
2 PLC ±0.15		APPLICATION SPEC		-	
3 PLC ±0.10		WEIGHT		-	
4 PLC ±		CUSTOMER DRAWING		-	
ANGLES ±5°		SIZE A3		CAGE CODE 00779	
FINISH		DRAWING NO. C-2199248		RESTRICTED TO	
MATERIAL		SCALE 25:1		SHEET 1 OF 2	
				REV A	

THIS DRAWING IS UNPUBLISHED.

RELEASED FOR PUBLICATION

© COPYRIGHT BY

ALL RIGHTS RESERVED.

LOC ES DIST 00

REVISIONS

P	LTR	DESCRIPTION	DATE	DWN	APVD

DIM A+0.05 ±0.10

4,00±0,10

4,00±0,10

2,00±0,10

∅ 1.50<sup>+0.10</sup><sub>-0</sub>

1,75±0,10

4,10 REF

5,50±0,10

12,00±0,30

0,35±0,05

Z

4,00

2,08±0,10

1,58±0,10

SECTION Z-Z

FRANGE CORE DIA ∅ 100±1

∅ 330±1 REEL DIA.

12.4<sup>+2</sup><sub>0</sub>

18.4 MAX REEL WIDTH

300mm REF WITHOUT CHARGE

WEEDING THE COVER TAPE. 1000mm REF

165,000°~180° PEELING ANGLE  
0.1~1.3N(300mm/min) PEELING STRENGTH

WITH PRODUCT CHARGE (QUANTITY) EA/IREEL SEE TABLE ON SHEET 1

WITHOUT CHARGE 100~125HOLES

THIS DRAWING IS A CONTROLLED DOCUMENT.

DIMENSIONS: mm	TOLERANCES UNLESS OTHERWISE SPECIFIED:
	0 PLC ± 0.2
	1 PLC ± 0.15
	2 PLC ± 0.15
	3 PLC ± 0.10
	4 PLC ± -
	ANGLES ± 5°
MATERIAL	FINISH

DWN	-
CHK	-
APVD	-
PRODUCT SPEC	108-115061-1
APPLICATION SPEC	-
WEIGHT	-
CUSTOMER DRAWING	

TE Connectivity		NAME	
		SPRING FINGER TYPE A	
SIZE	CAGE CODE	DRAWING NO	RESTRICTED TO
A3	00779	© 2199248	-
SCALE 5:1		SHEET 2 OF 2	REV A

# Mouser Electronics

Authorized Distributor

Click to View Pricing, Inventory, Delivery & Lifecycle Information:

[TE Connectivity:](#)

[2199248-4](#)