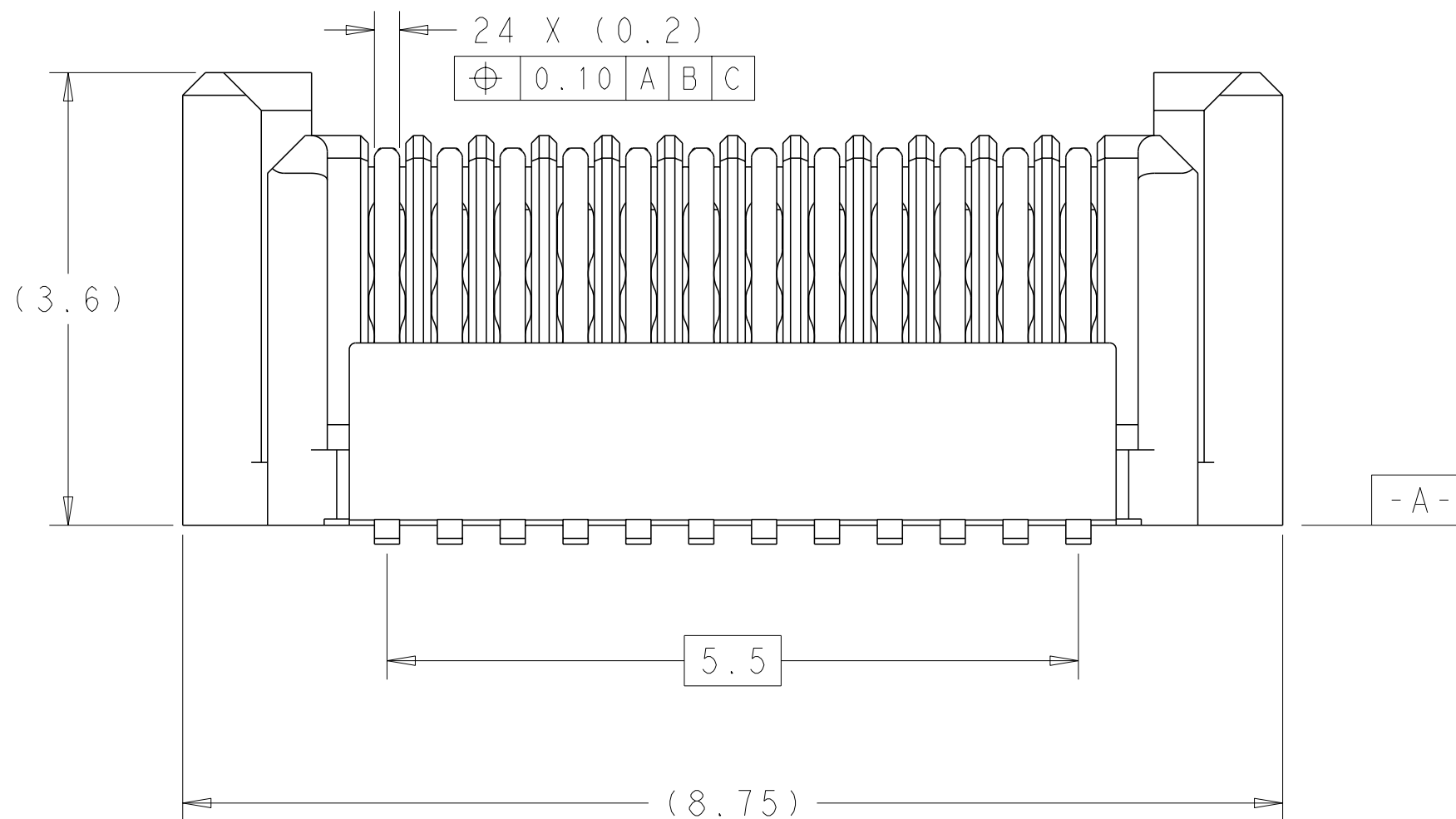
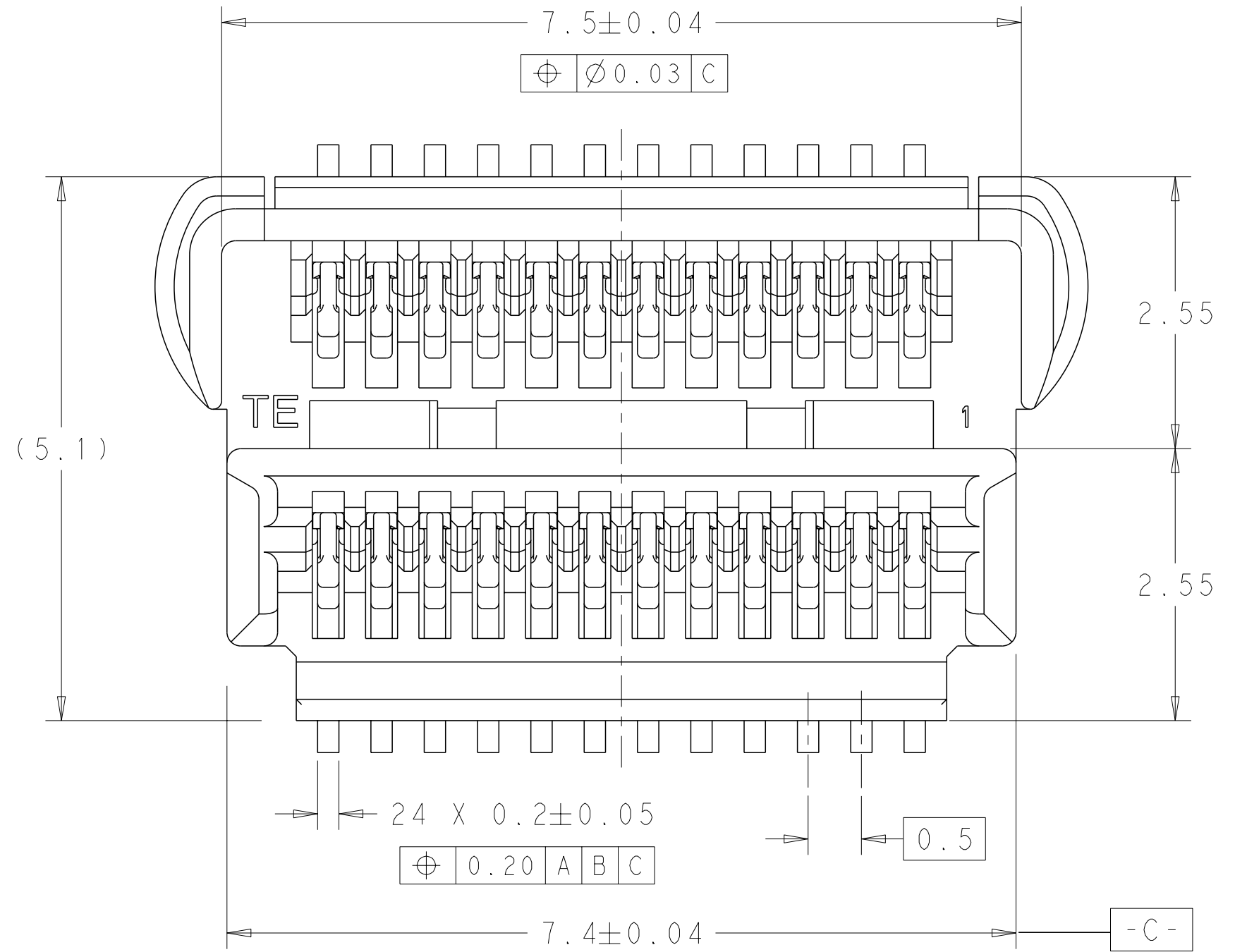


THIS DRAWING IS UNPUBLISHED. RELEASED FOR PUBLICATION 20
 © COPYRIGHT 20 ALL RIGHTS RESERVED.

LOC		DIST		REVISIONS			
P	LTR	DESCRIPTION	DATE	DWN	APVD		
	A1	REVISED PER ECR-15-008402	04JUN2015	I.T	W.H		



NOTES:

1. MATERIALS:

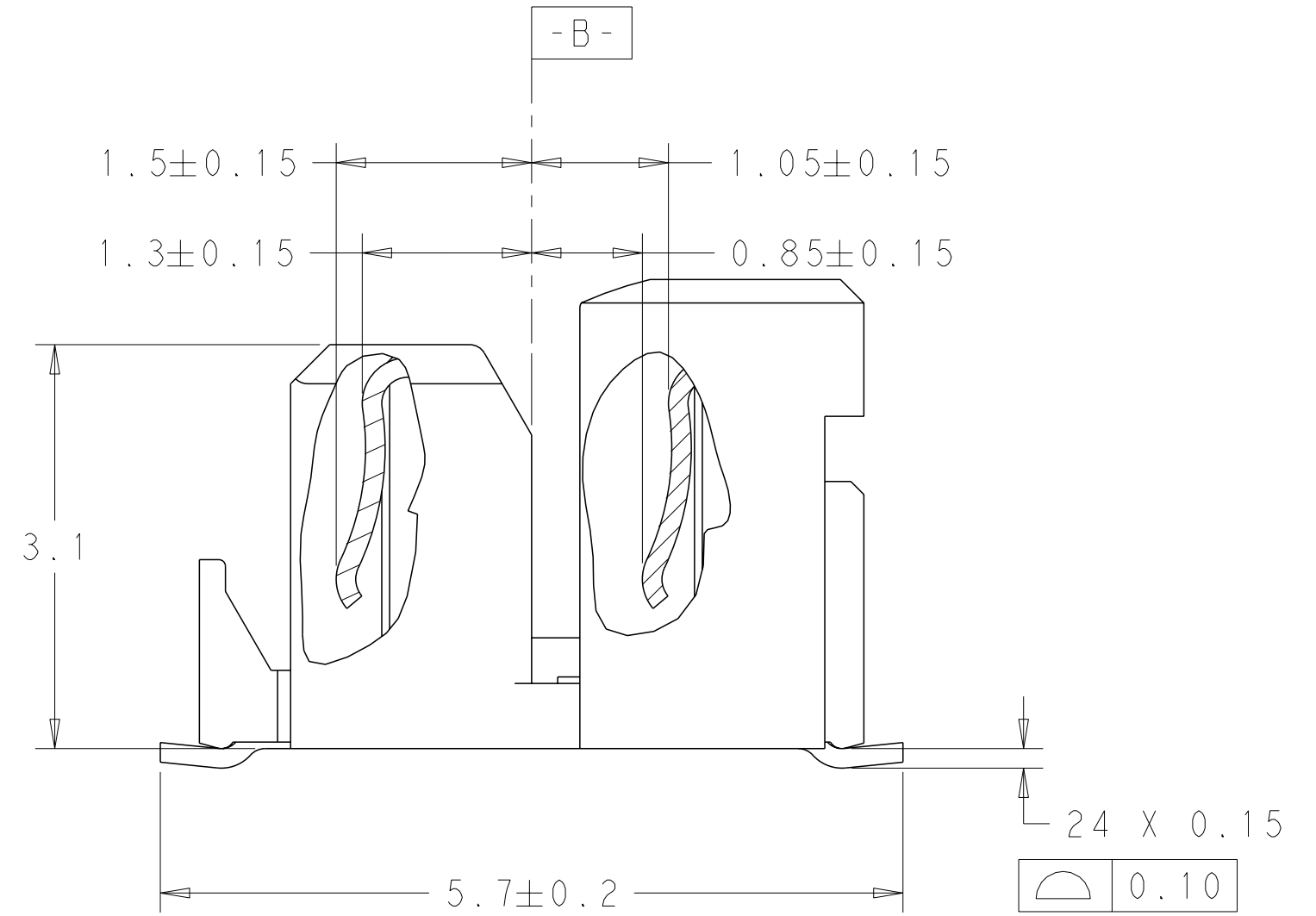
HOUSING: L.C.P (HIGH TEMP THERMO PLASTIC) UL 94V-0

CAP: L.C.P (HIGH TEMP THERMO PLASTIC) UL 94V-0

CONTACT: COPPER ALLOY

△ FINISH:

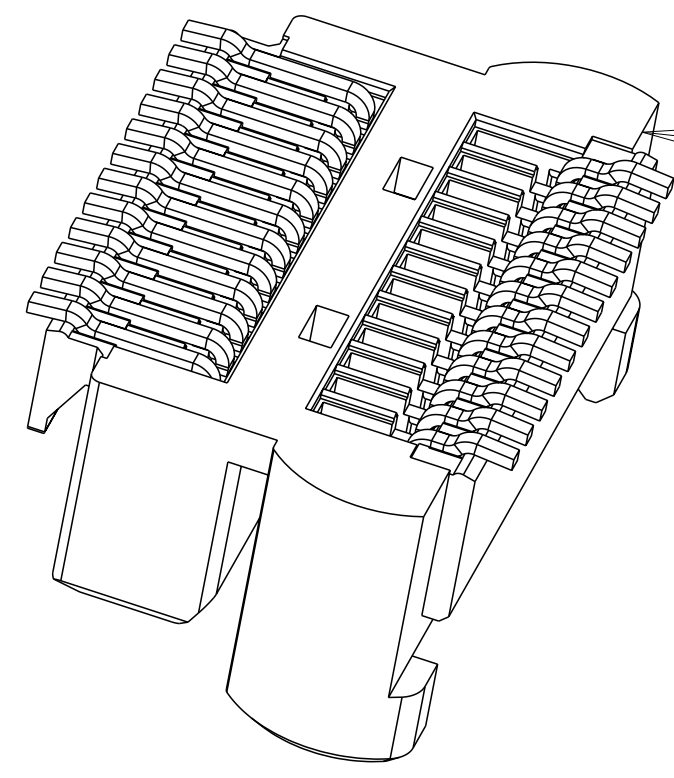
ENGAGEMENT AREA: 0.00038MM MIN GOLD
 SOLDERING AREA: 0.00005MM MIN GOLD
 UNDERCOAT: 0.00127MM MIN NICKEL ALL OVER



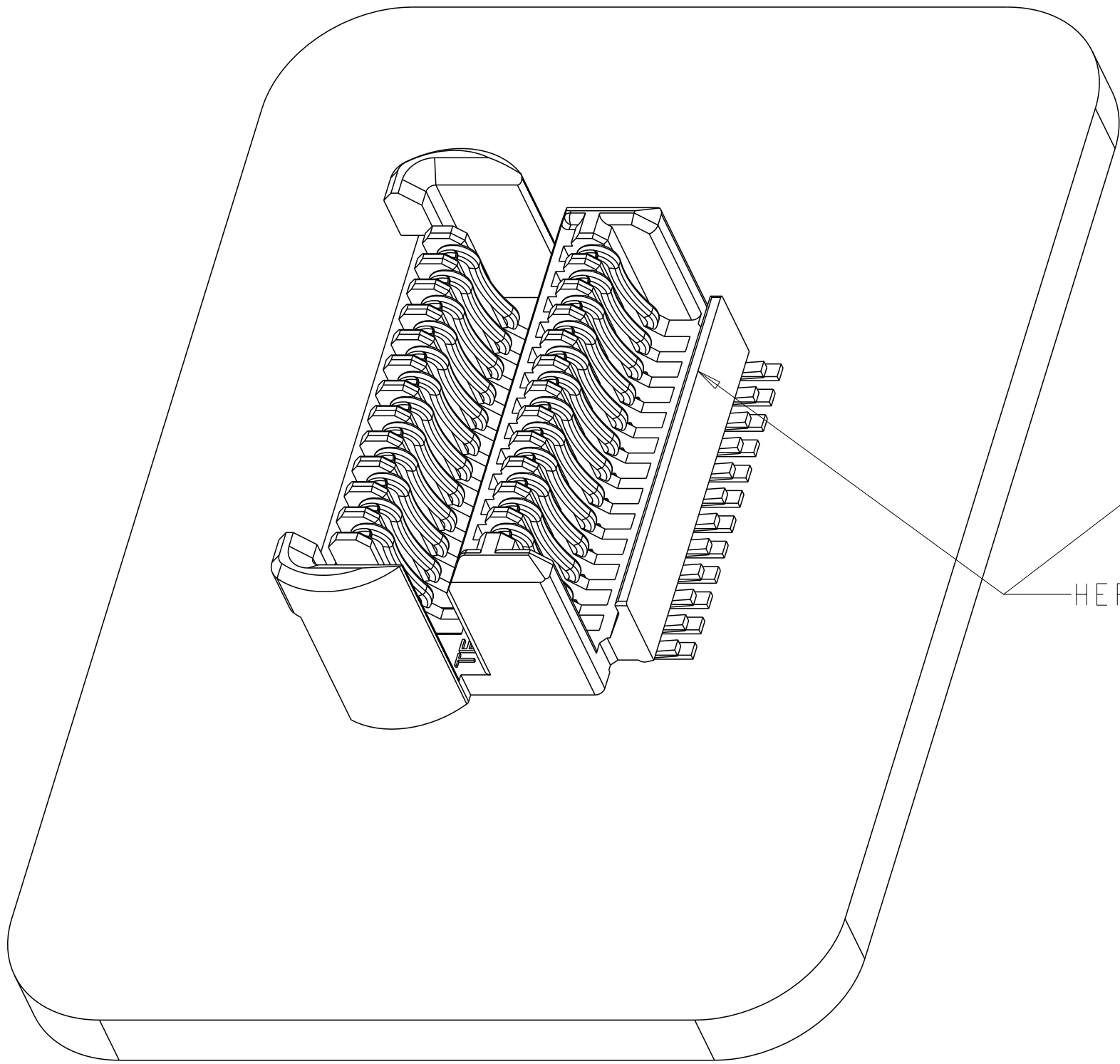
THIS DRAWING IS A CONTROLLED DOCUMENT.		DWN	29 JUL 2012	STE TE Connectivity	
DIMENSIONS: mm		CHK	29 JUL 2012		
TOLERANCES UNLESS OTHERWISE SPECIFIED:		APVD	29 JUL 2012		
0 PLC ± 1 PLC ±0.30 2 PLC ±0.10 3 PLC ± 4 PLC ± ANGLES ±1° FINISH		NAME	STEVEN YAO		
MATERIAL		PRODUCT SPEC	108-115057	NAME	0.5MM FINE STACKING BTB, 24 POS 4MM HEIGHT, EMBOSS, WITH CAP HERMAPHRODITIC TYPE CONNECTOR
SEE NOTE 1		APPLICATION SPEC	114-115008	SIZE	A2
SEE P/N TABLE		WEIGHT	0.167 G	CAGE CODE	00779
CUSTOMER DRAWING		RESTRICTED TO	/	DRAWING NO	C-2199070
		SCALE	11:1	SHEET	1 OF 5
		REV	A1		

THIS DRAWING IS UNPUBLISHED. RELEASED FOR PUBLICATION 20
 © COPYRIGHT 20 ALL RIGHTS RESERVED.

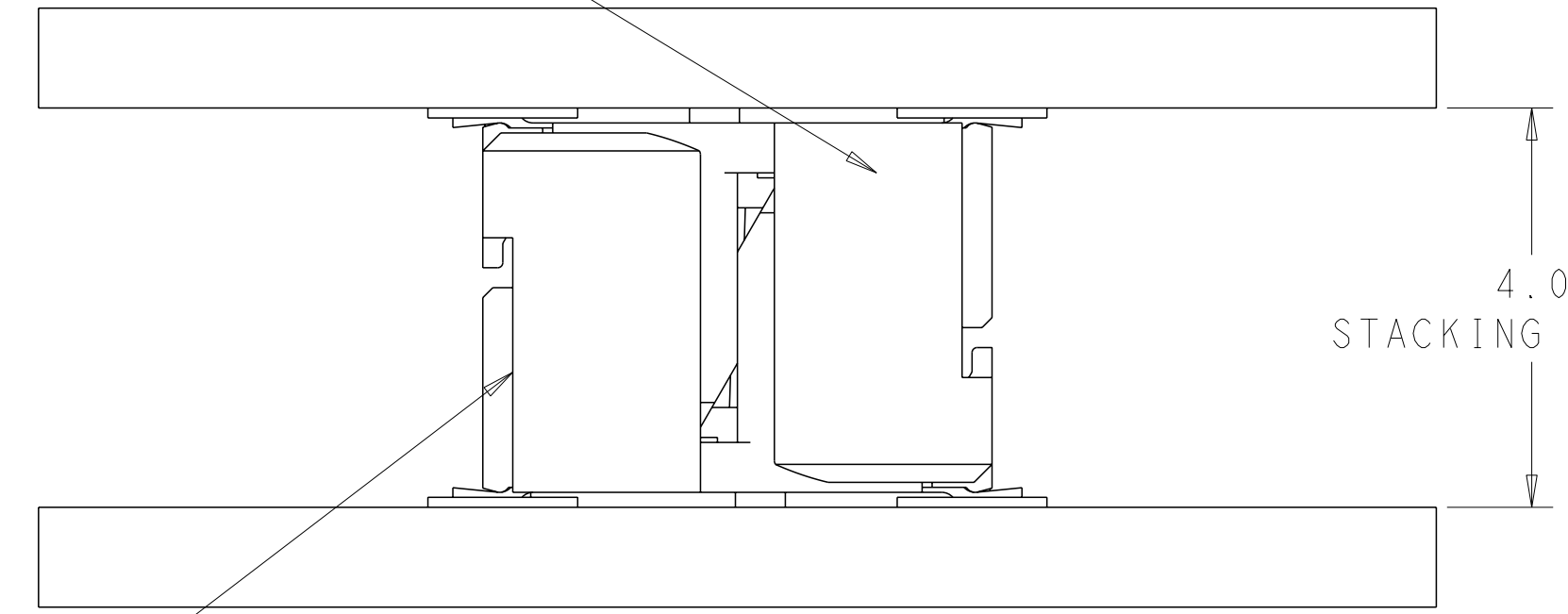
LOC		DIST		REVISIONS			
P	LTR	DESCRIPTION	DATE	DWN	APVD		
CN	-						



HERMAPHRODITIC CONNECTOR 1


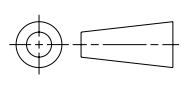


HERMAPHRODITIC CONNECTOR 2



4.0
STACKING HEIGHT

MATED WITH SAME CONNECTOR

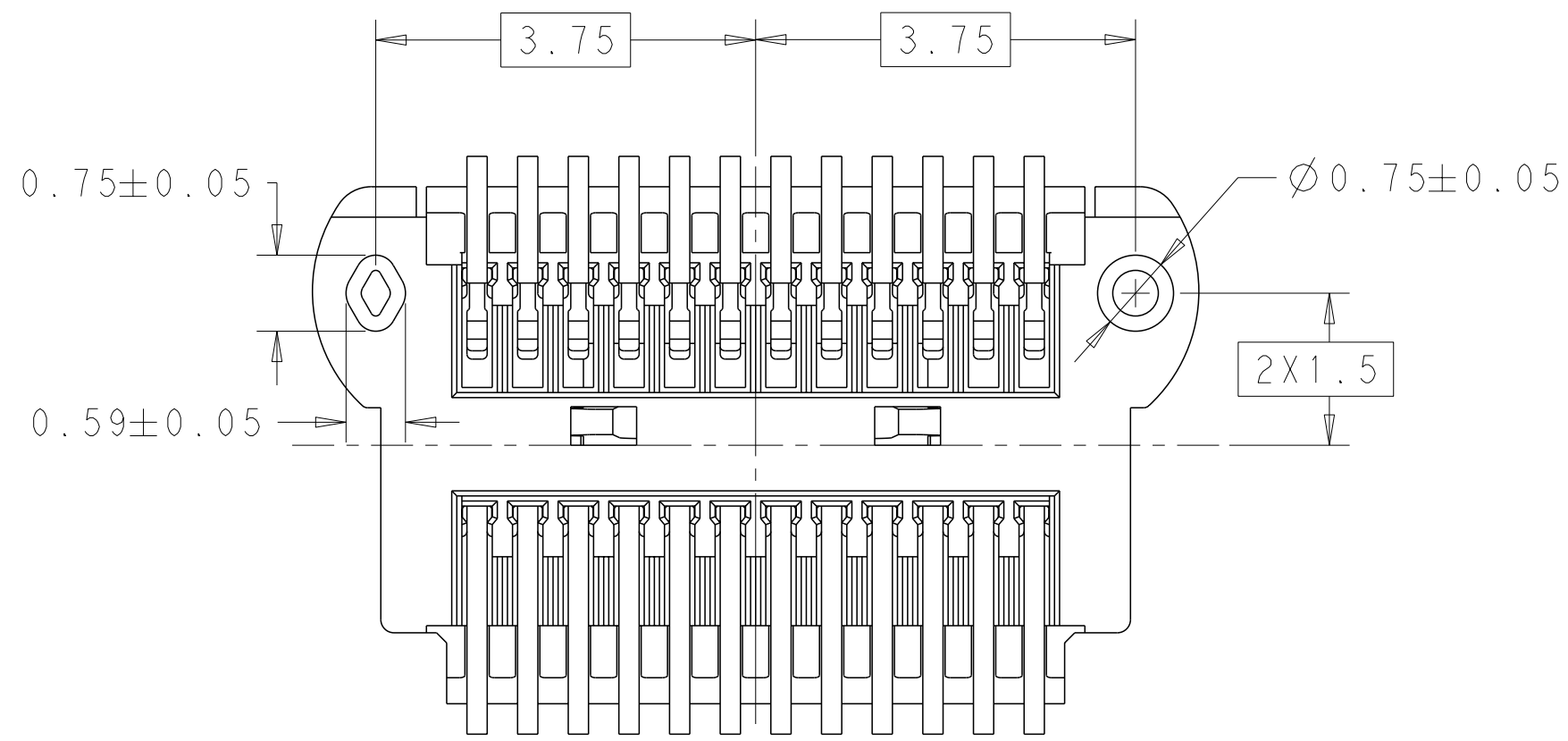
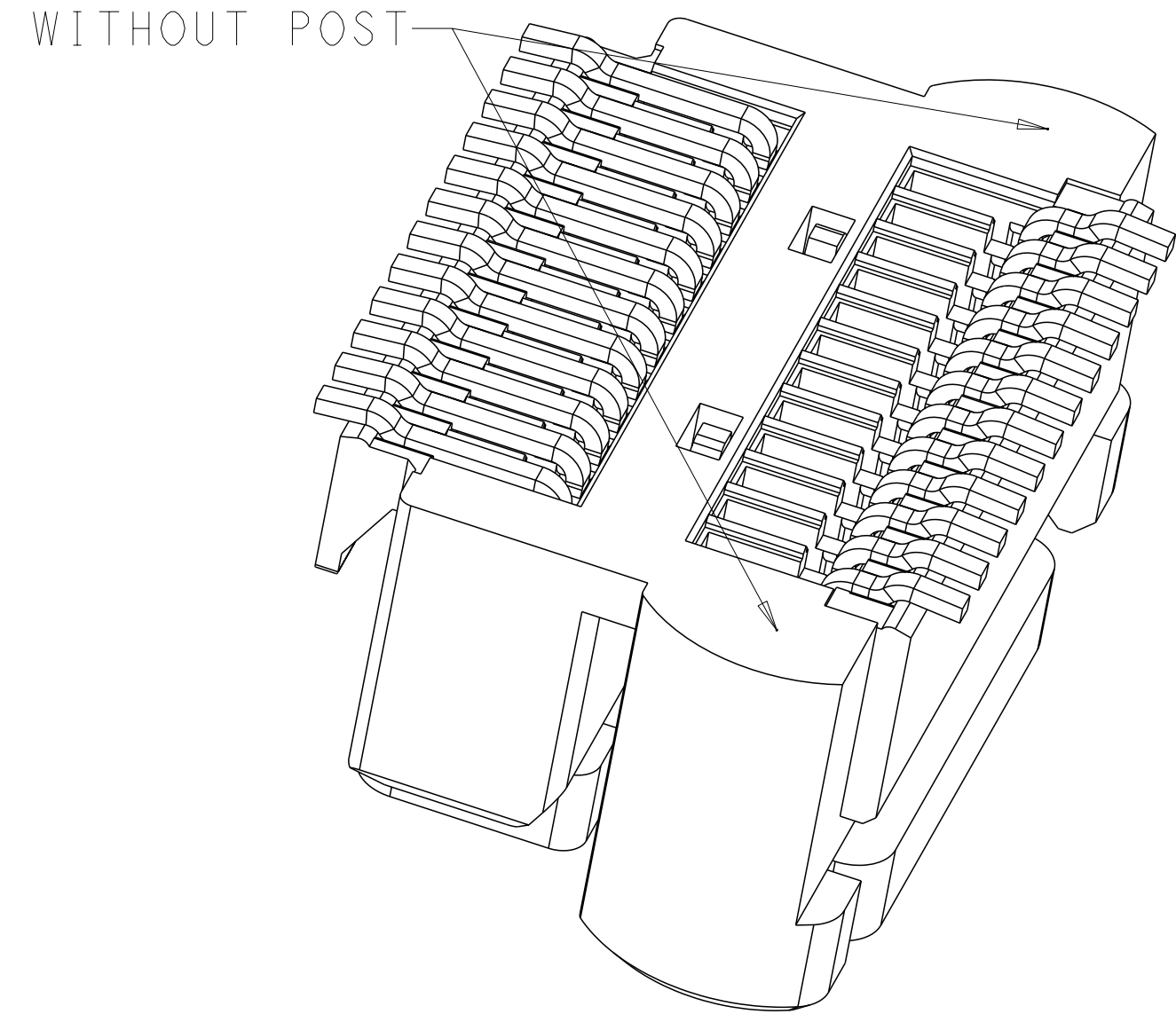
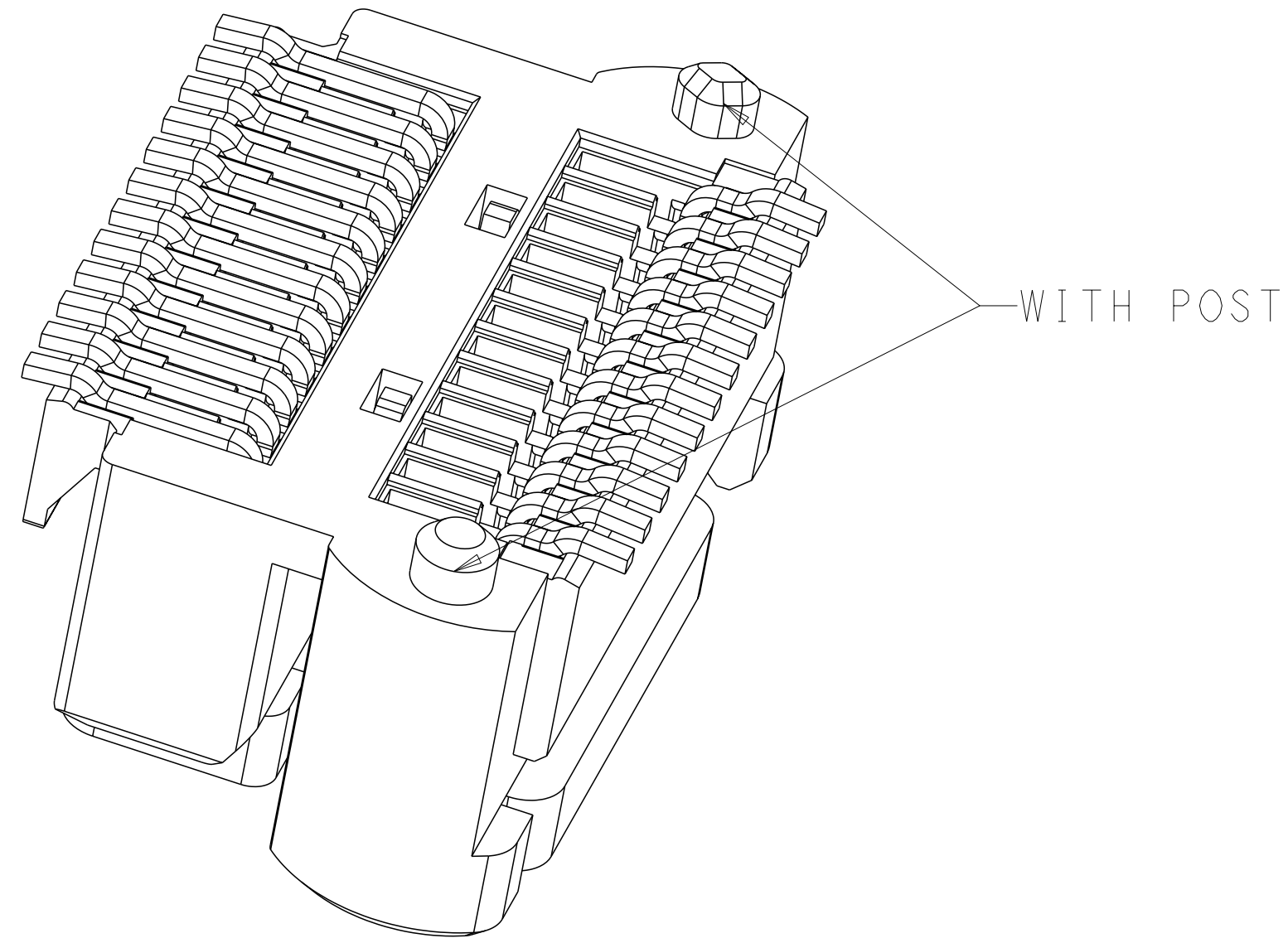
THIS DRAWING IS A CONTROLLED DOCUMENT.		DWN	29 JUL 2012	 TE Connectivity
DIMENSIONS:		CHK	29 JUL 2012	
mm		APVD	29 JUL 2012	
		PRODUCT SPEC		
TOLERANCES UNLESS OTHERWISE SPECIFIED:		NAME		0.5MM FINE STACKING BTB, 24 POS 4MM HEIGHT, EMBOSS, WITH CAP HERMAPHRODITIC TYPE CONNECTOR
0 PLC ±-		STEVEN YAO		
1 PLC ±0.3		RESTRICTED TO		
2 PLC ±0.10		SIZE		A200779
3 PLC ±-		CAGE CODE		C-2199070
4 PLC ±-		DRAWING NO		
ANGLES ±1°		SCALE		11:1
FINISH		SHEET		2 OF 5
MATERIAL		REV		A1
-		CUSTOMER DRAWING		

THIS DRAWING IS UNPUBLISHED. RELEASED FOR PUBLICATION 20
 © COPYRIGHT 20 ALL RIGHTS RESERVED.

LOC		DIST		REVISIONS			
P	LTR	DESCRIPTION	DATE	DWN	APVD		
CN	-						

1-2199070-4 AS SHOW

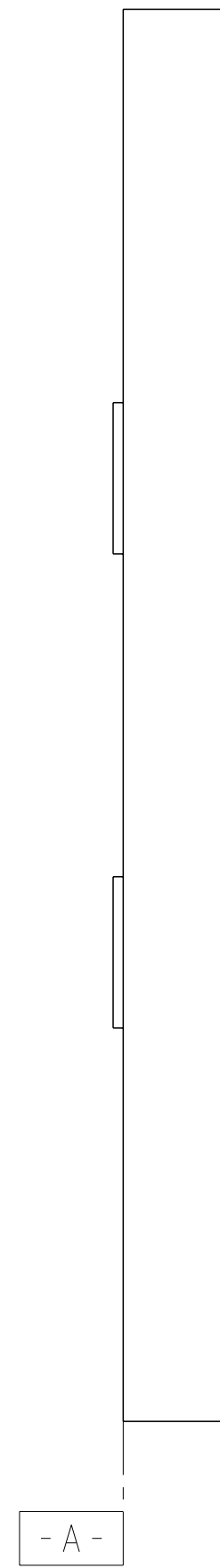
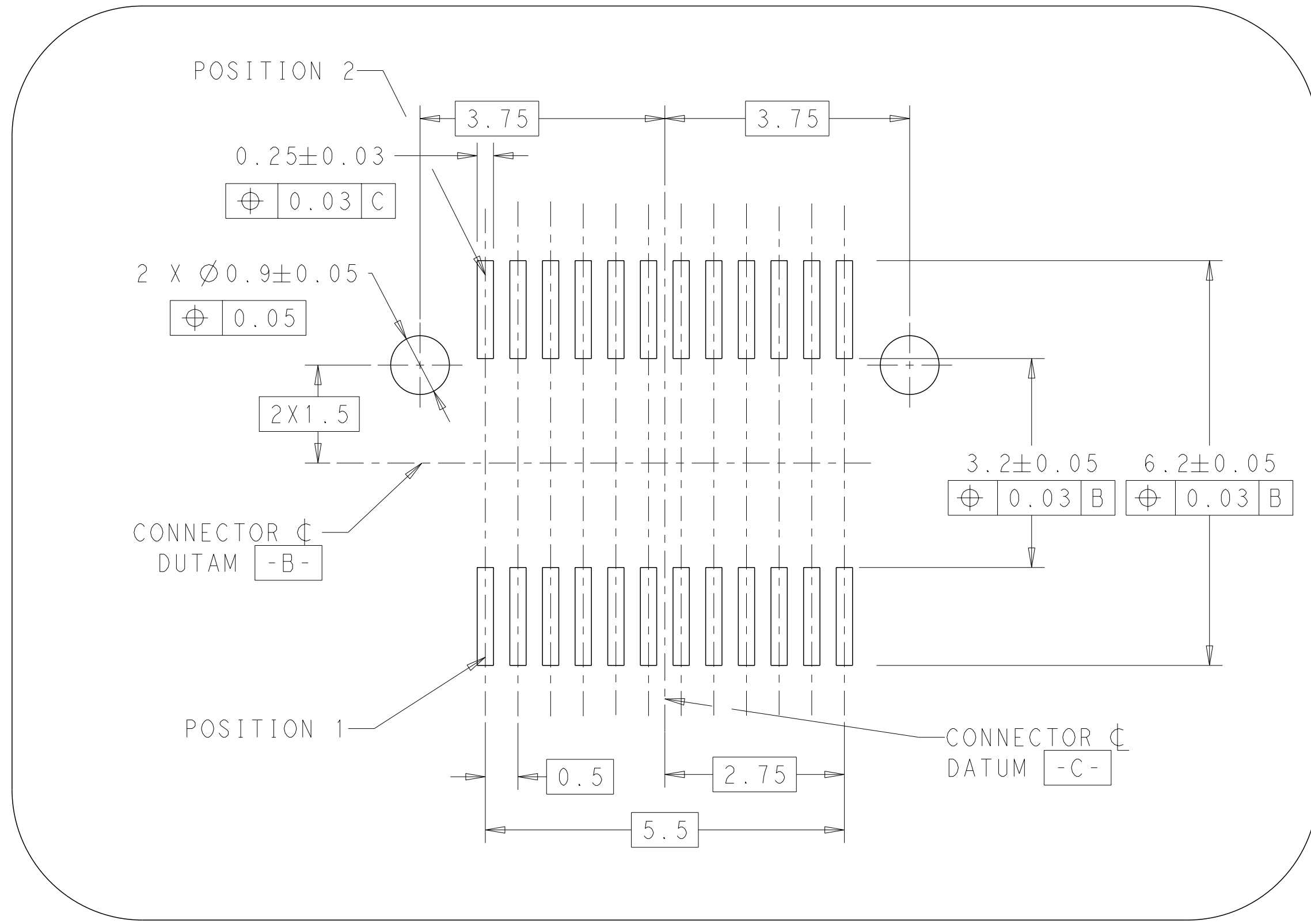
2199070-4 AS SHOW



THIS DRAWING IS A CONTROLLED DOCUMENT.		DWN IVAN TIAN 29 JUL 2012	TE Connectivity	NAME		
DIMENSIONS:		CHK WENKE HE 29 JUL 2012		0.5MM FINE STACKING BTB, 24 POS		
mm		APVD STEVEN YAO 29 JUL 2012		4MM HEIGHT, EMBOSS, WITH CAP		
TOLERANCES UNLESS OTHERWISE SPECIFIED: 0 PLC ± 1 PLC ±0.30 2 PLC ±0.10 3 PLC ± 4 PLC ± ANGLES ±1° FINISH		PRODUCT SPEC 108-115057		HERMAPHRODITIC TYPE CONNECTOR		
MATERIAL		APPLICATION SPEC 114-115008	SIZE	CAGE CODE	DRAWING NO	RESTRICTED TO
SEE NOTE 1		WEIGHT 0.167 G	A200779	C-2199070		/
SEE P/N TABLE		CUSTOMER DRAWING	SCALE: 1:1	SHEET 3 OF 5	REV A1	

THIS DRAWING IS UNPUBLISHED. RELEASED FOR PUBLICATION 20
 © COPYRIGHT 20 ALL RIGHTS RESERVED.

LOC		DIST		REVISIONS			
P	LTR	DESCRIPTION	DATE	DWN	APVD		
CN	-						

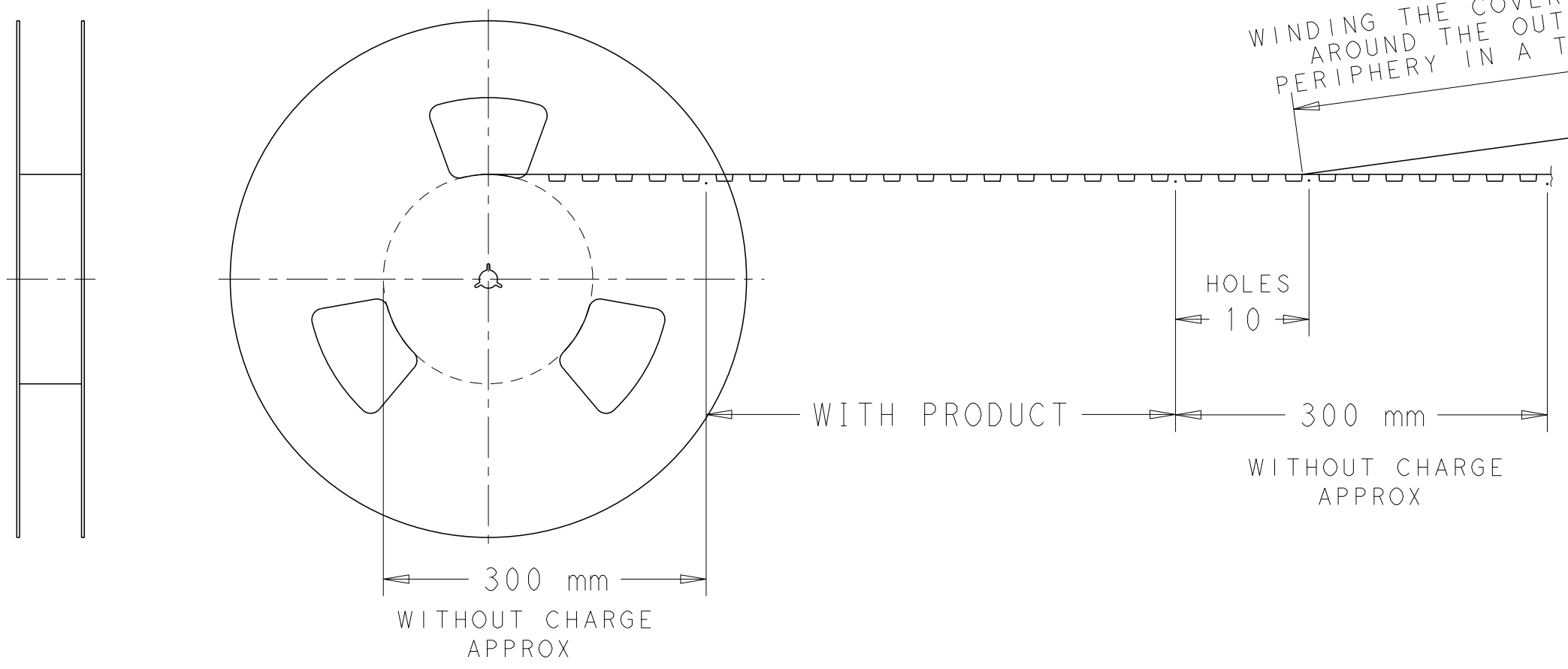
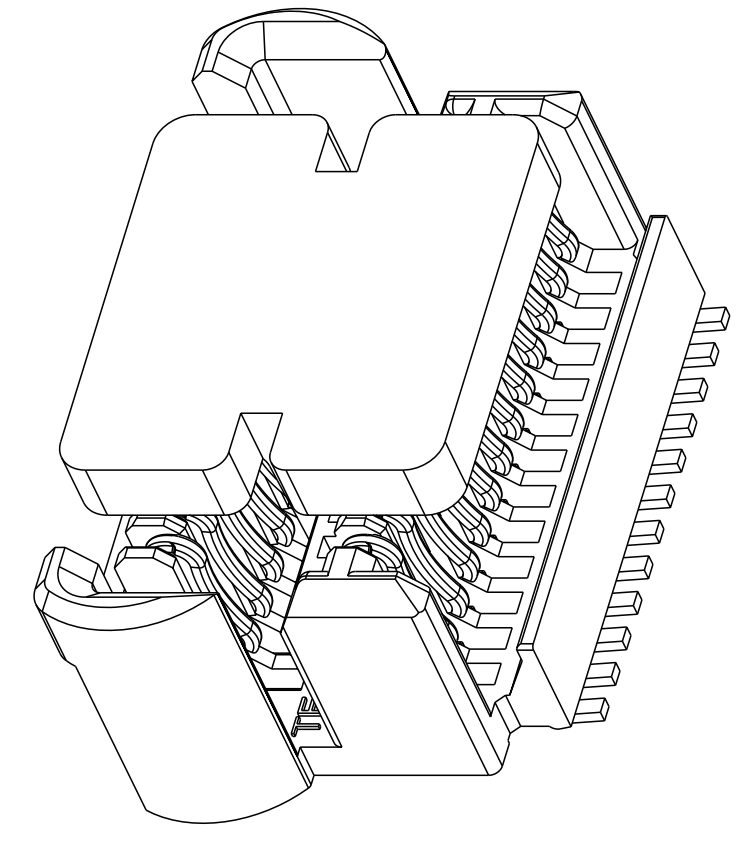
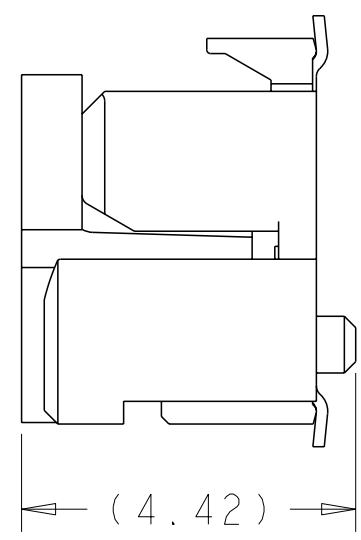
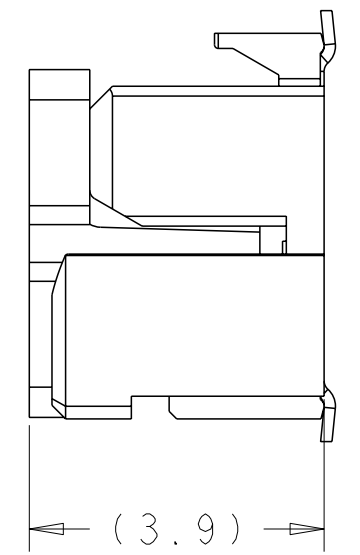
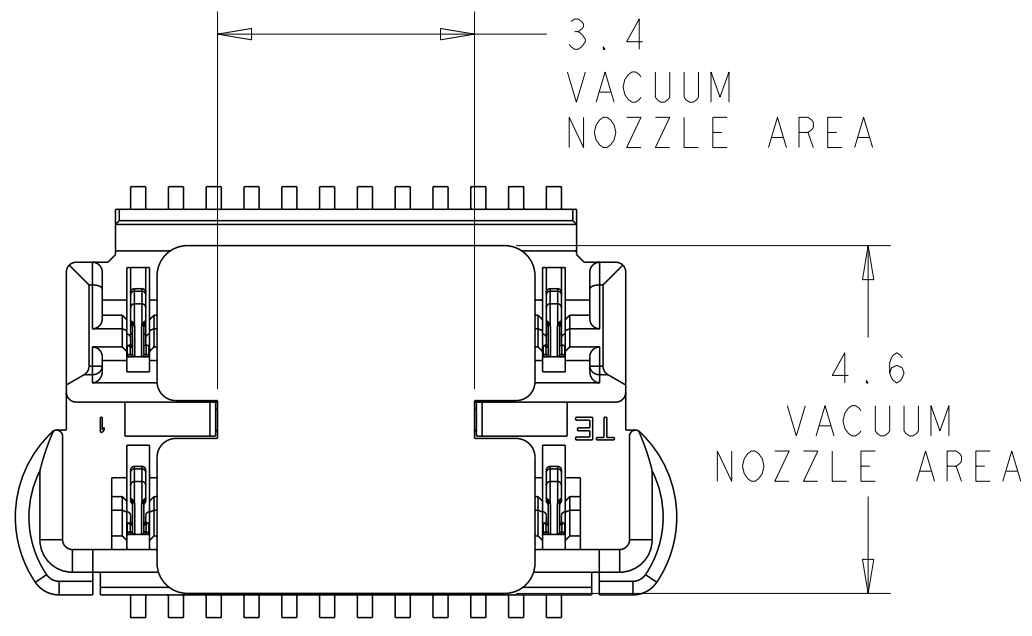
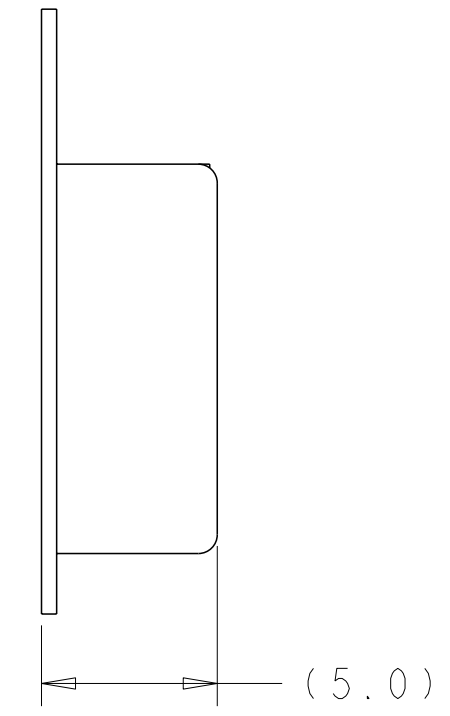
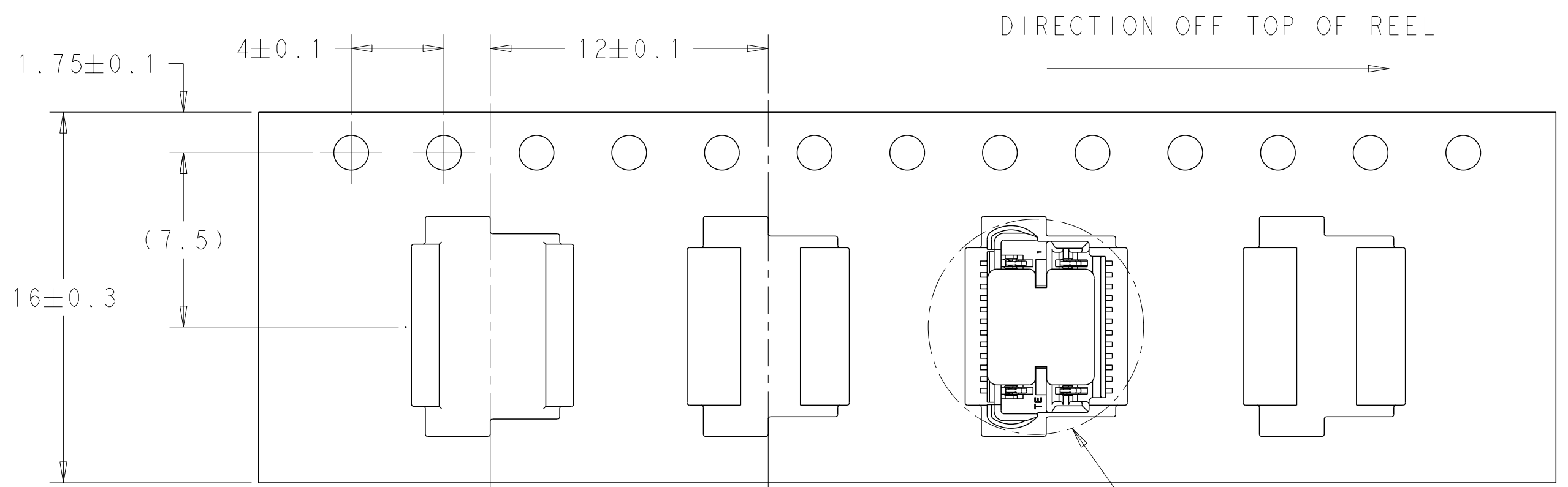


RECOMMENDED FOOTPRINT

THIS DRAWING IS A CONTROLLED DOCUMENT.		DWN	29 JUL 2012	 TE Connectivity	NAME 0.5MM FINE STACKING BTB, 24POS 4MM HEIGHT, EMBOSS, WITH CAP HERMAPHRODITIC TYPE CONNECTOR	
DIMENSIONS:		CHK	29 JUL 2012			
mm		APVD	29 JUL 2012			
TOLERANCES UNLESS OTHERWISE SPECIFIED: 0 PLC ± 1 PLC ±0.3 2 PLC ±0.10 3 PLC ± 4 PLC ± ANGLES ±1° FINISH		PRODUCT SPEC APPLICATION SPEC WEIGHT CUSTOMER DRAWING	SIZE A200779	CAGE CODE C-2199070	DRAWING NO -	RESTRICTED TO -
MATERIAL		SCALE 11:1		SHEET 4 OF 5		REV A1

THIS DRAWING IS UNPUBLISHED. RELEASED FOR PUBLICATION 20
 © COPYRIGHT 20 ALL RIGHTS RESERVED.

LOC		DIST		REVISIONS			
P	LTR	DESCRIPTION	DATE	DWN	APVD		
CN	-						



NATURAL	NATURAL	WITH	△2	1100	24	1-2199070-4
NATURAL	NATURAL	WITHOUT	△2	1100	24	2199070-4
CAP COLOR	HSG COLOR	LOCATION POST	FINISH	QTY/R	POS	P/N

THIS DRAWING IS A CONTROLLED DOCUMENT.

DWN: IVAN TIAN 29 JUL 2012
 CHK: STEVEN YAO 29 JUL 2012
 APVD: WENKE HE

STE TE Connectivity

0.5MM FINE STACKING BTB, 24POS
 4MM HEIGHT, EMBOSS, WITH CAP
 HERMAPHRODITIC TYPE CONNECTOR

SIZE: A200779 CAGE CODE: C-2199070 DRAWING NO: 11:1 SCALE: SHEET 5 OF 5 REV A1

Mouser Electronics

Authorized Distributor

Click to View Pricing, Inventory, Delivery & Lifecycle Information:

[TE Connectivity:](#)

[2199070-4](#)