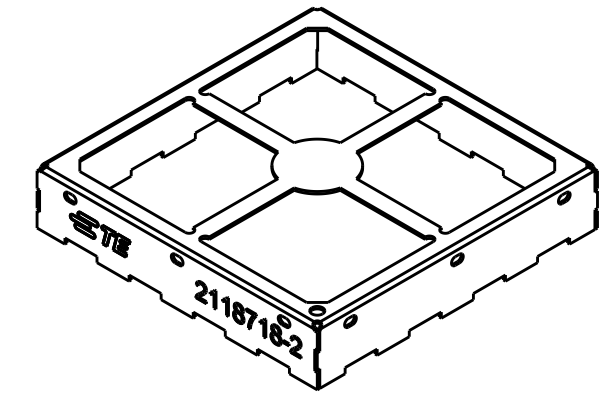
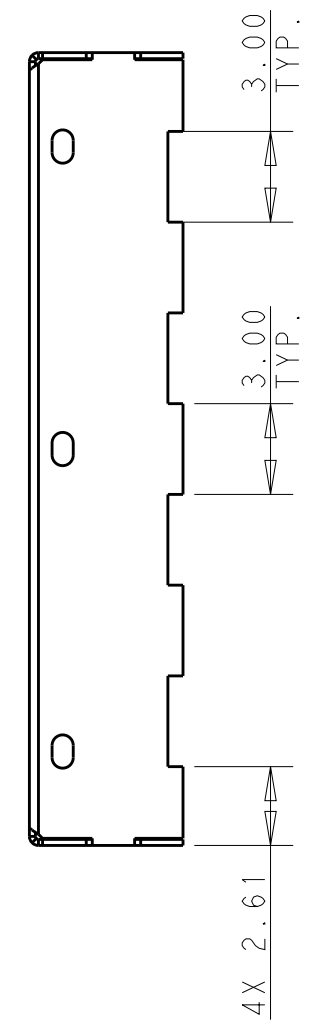
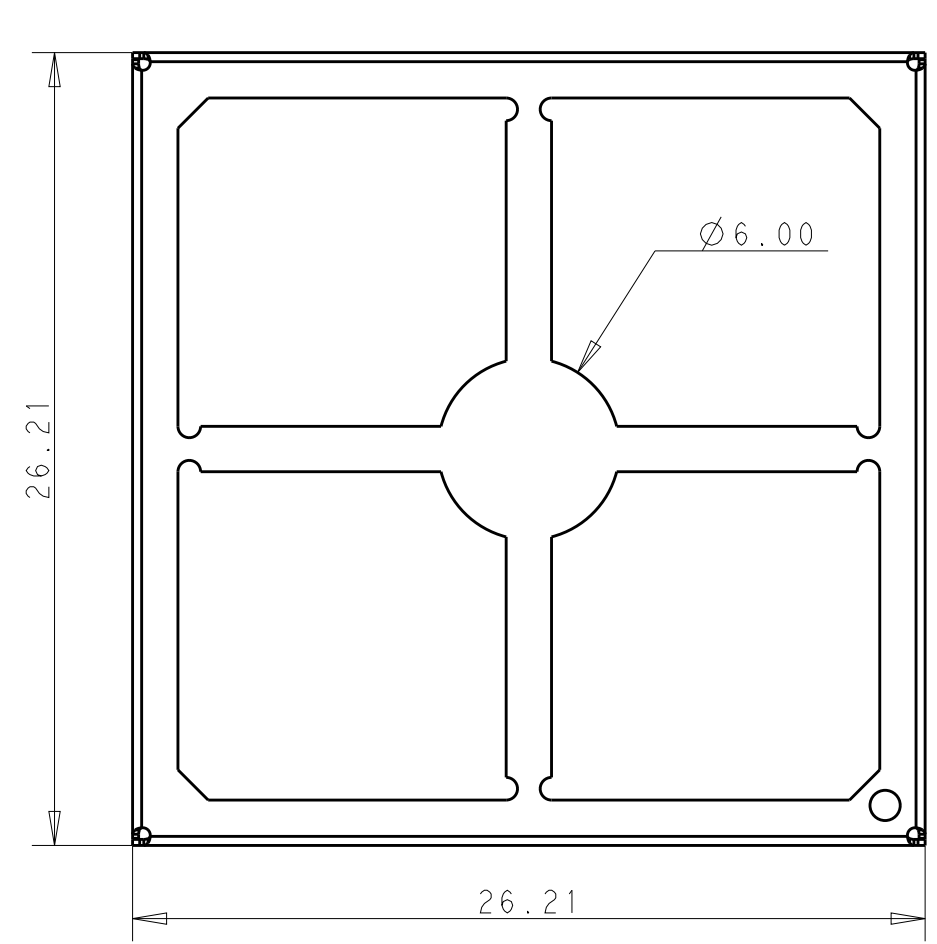


THIS DRAWING IS UNPUBLISHED. RELEASED FOR PUBLICATION 20
 © COPYRIGHT 20 BY - ALL RIGHTS RESERVED.

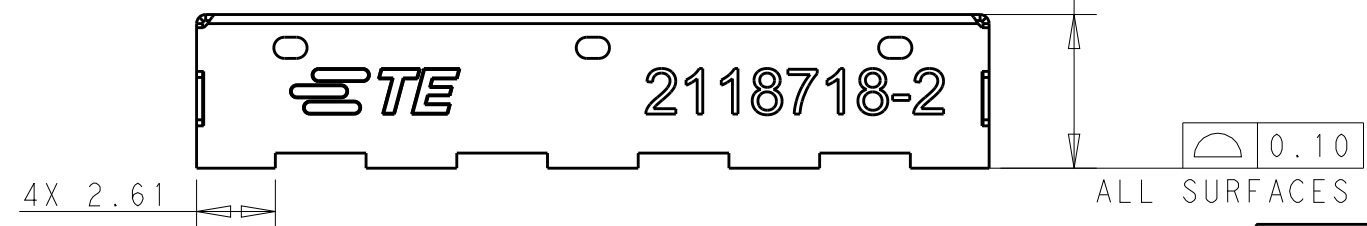
REVISIONS					
P	LTR	DESCRIPTION	DATE	DWN	APVD
	2	ADD HOLE IN CORNER	01SEP2016	VL	SS
	A	DRAWING RELEASED	21APR2017	VL	SS
	A1	REVISED PER ECO-17-007644	26MAY2017	VL	SS
	A2	REVISED PER ECO-17-013857	21SEP2017	SS	HL



SCALE 2:1

NOTES:

- 1 MATERIAL: 0.20mm CRS. 1,25 - 3.00µm MATTE TIN FINISH.
- 2 STAMPING BURR OUTSIDE OF PART, MAX 0.05mm.
- 3 PARTS TO BE FREE OF OIL AND CONTAMINENTS.
- 4 PART IS RoHS COMPLIANT PER TE CONNECTIVITY STANDARD TEC-138-702.
- 5 REFER TO 3D MODEL FOR UNSPECIFIED DIMENSIONS.
- 6 PACKAGING: TAPE AND REEL



6	2118718-2
PACKAGING	PART NUMBER

THIS DRAWING IS A CONTROLLED DOCUMENT.		DWN V. LAC 08APR2016	TE Connectivity	
DIMENSIONS: mm		CHK S. SU 21APR2017		
TOLERANCES UNLESS OTHERWISE SPECIFIED:		APVD V. LAC 21APR2017	NAME STANDARD SHIELD FRAME	
0 PLC ±0.20		PRODUCT SPEC 108-19493	SIZE A3	
1 PLC ±0.15		APPLICATION SPEC 114-115014	CAGE CODE -	DRAWING NO C-2118718
2 PLC ±0.10		WEIGHT -	RESTRICTED TO -	
3 PLC ±-		CUSTOMER DRAWING	SCALE 4:1	SHEET 1 OF 3
4 PLC ±-				REV A2
ANGLES ±-				
FINISH 1				

THIS DRAWING IS UNPUBLISHED.

RELEASED FOR PUBLICATION

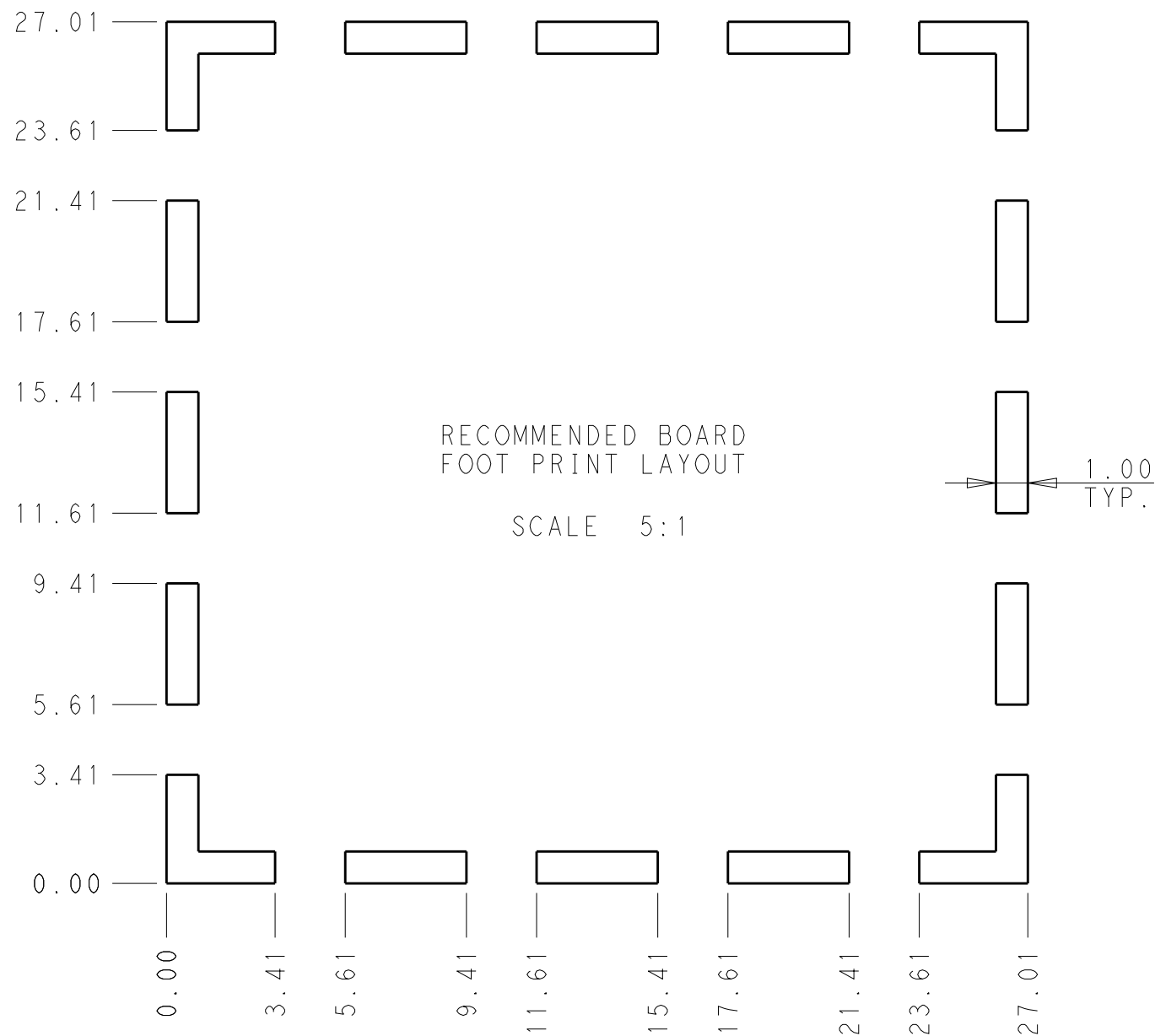
20

© COPYRIGHT 20 BY -

ALL RIGHTS RESERVED.

REVISIONS

P	LTR	DESCRIPTION	DATE	DWN	APVD
-	-	SEE SHEET 1	-	-	-



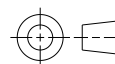
NOTES:

7. STENCIL THICKNESS: 0.10mm MIN.

THIS DRAWING IS A CONTROLLED DOCUMENT.

DIMENSIONS:

mm



TOLERANCES UNLESS OTHERWISE SPECIFIED:

- 0 PLC ±0.20
- 1 PLC ±0.15
- 2 PLC ±0.10
- 3 PLC ±-
- 4 PLC ±-
- ANGLES ±2

MATERIAL

FINISH

-

-

DWN V. LAC 08APR2016

CHK S. SU 21APR2017

APVD V. LAC 21APR2017

PRODUCT SPEC 108-19493

APPLICATION SPEC 114-115014

WEIGHT -

CUSTOMER DRAWING



TE Connectivity

NAME STANDARD SHIELD FRAME

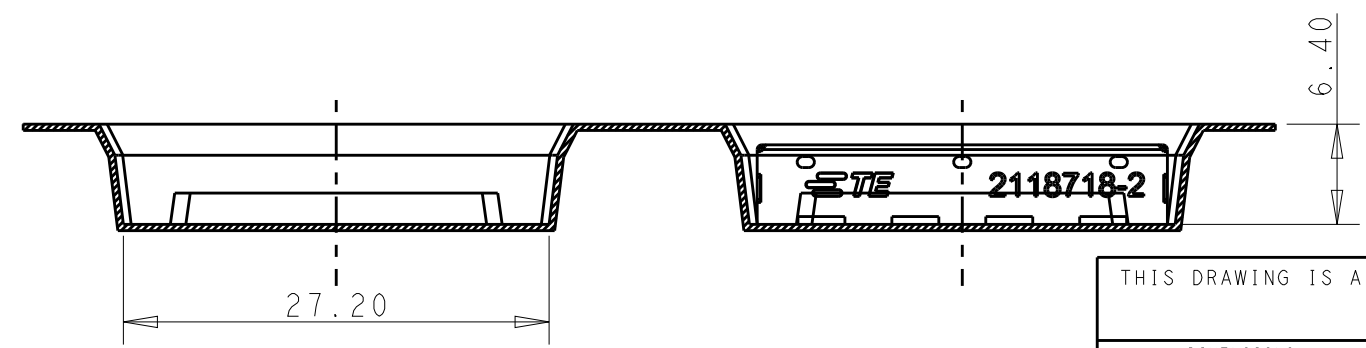
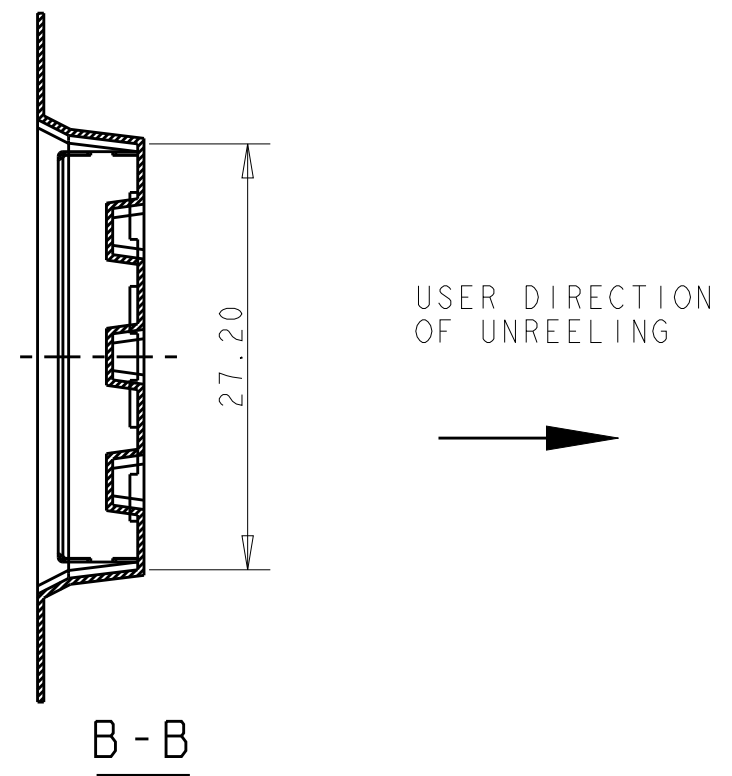
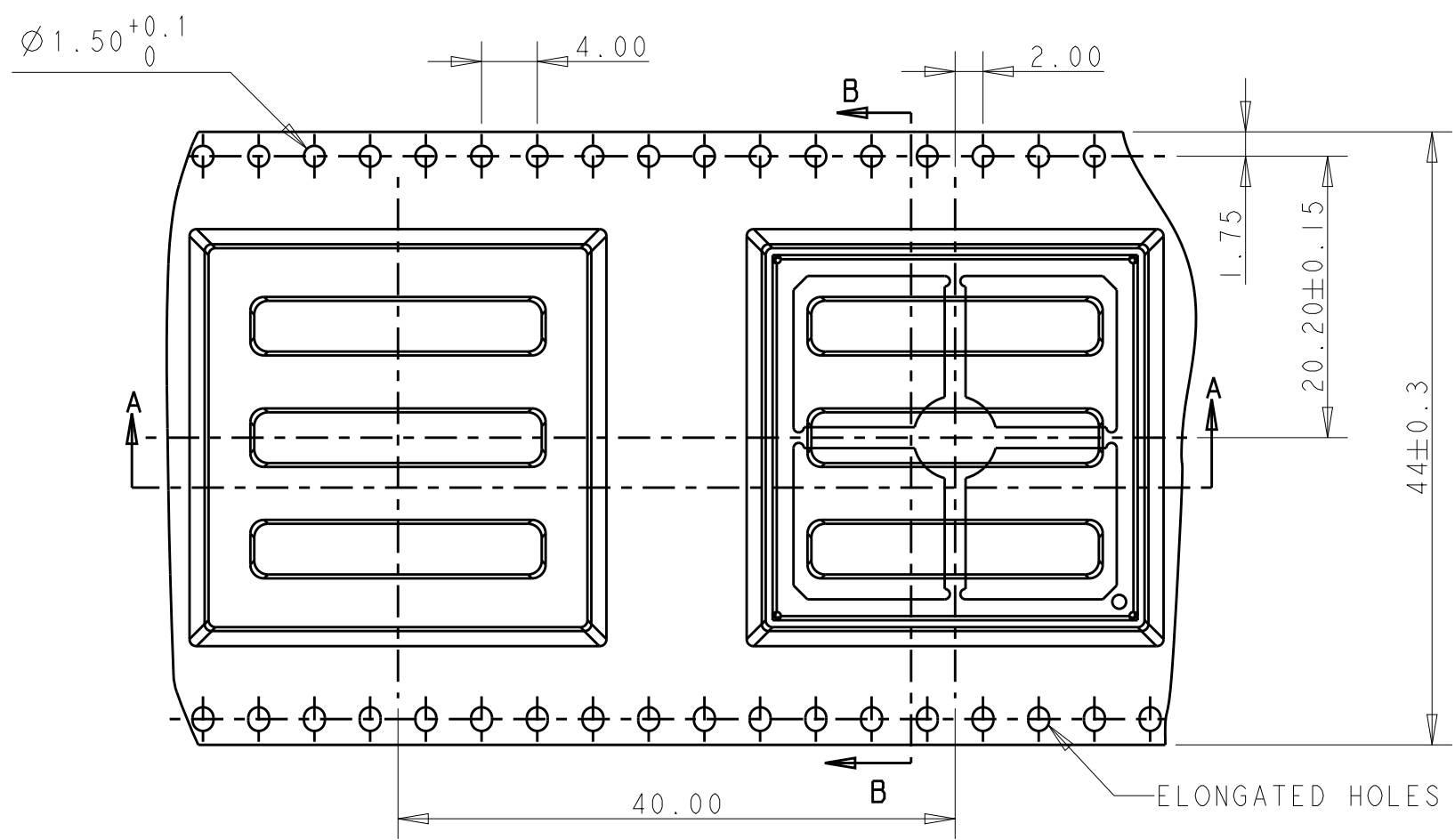
SIZE CAGE CODE DRAWING NO RESTRICTED TO

A3 - C-2118718 -


SCALE 4:1 SHEET 2 OF 3 REV A2

THIS DRAWING IS UNPUBLISHED. RELEASED FOR PUBLICATION 20
 © COPYRIGHT 20 BY - ALL RIGHTS RESERVED.

REVISIONS					
P	LTR	DESCRIPTION	DATE	DWN	APVD
-	-	SEE SHEET 1	-	-	-



- NOTES:
- 8. REEL SIZE: O.D. 380mm, I.D. 180mm
 - 9. QTY PER REEL: 280PCS

THIS DRAWING IS A CONTROLLED DOCUMENT.		DWN V. LAC 08APR2016	 TE Connectivity			
DIMENSIONS: mm		CHK S. SU 21APR2017				
TOLERANCES UNLESS OTHERWISE SPECIFIED:		APVD V. LAC 21APR2017	NAME STANDARD SHIELD FRAME			
0 PLC ±0.20		PRODUCT SPEC 108-19493	SIZE A3	CAGE CODE -	DRAWING NO C-2118718	RESTRICTED TO -
1 PLC ±0.15		APPLICATION SPEC 114-115014	SCALE 4:1 SHEET 3 OF 3 REV A2			
2 PLC ±0.10		WEIGHT -	CUSTOMER DRAWING			
3 PLC ±						
4 PLC ±						
ANGLES ±2						
MATERIAL -						
FINISH -						

Mouser Electronics

Authorized Distributor

Click to View Pricing, Inventory, Delivery & Lifecycle Information:

[TE Connectivity:](#)

[2118718-2](#)