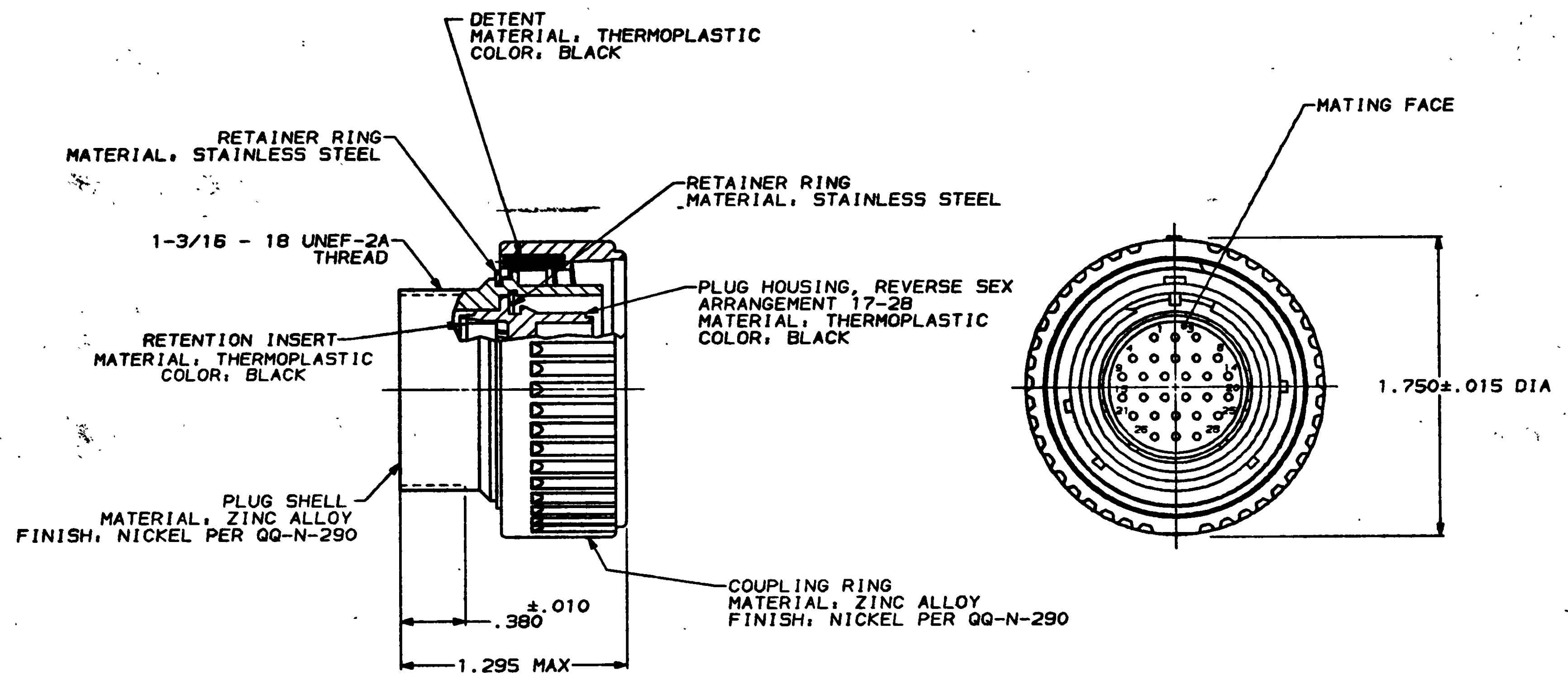


REV	LOG	DATE	ZONE	LTR	DESCRIPTION	DATE	APP
23	BD	35		H	REV & REDRAWN PER ECN BDS454	7-5-82	-



- 208492-1 MATES WITH AMP RECEPTACLE 208493-1.
- THIS PLUG ACCEPTS TWENTY EIGHT (28) TYPE 20 DM OR TYPE 20 DF SOCKET CONTACTS. MAXIMUM WIRE INSULATION DIAMETER = .068.
- AMP PART NUMBER AND DATE CODE TO BE LOCATED ON COUPLING RING.

		208492-1	
		PART NO	
DO NOT SCALE PRINT. UNLESS SPECIFIED DIMENSIONS IN INCHES TOLERANCES ON: 2 PLC DEC * - 3 PLC DEC * - ANGLES * -		DR 7-2-92 H. HOLL. CHK 12-29-92 R. STONE APPD 12-29-92 K. BEAVER APPD 12-29-92 C. RONDE PRODUCT SPEC 108-10040 APPLICATION SPEC - WEIGHT -	
SEE CALLOUT		AMP AMP Incorporated Harrisburg, PA 17105-3608 NAME PLUG ASSEMBLY, REVERSE SEX, SERIES 2, 22-28, CMC	
SEE CALLOUT		SIZE C	CASE CODE 00779
		DRAWING NO 208492	SHEET 1 OF 1
		SCALE 2:1	

CUSTOMER DRAWING

Mouser Electronics

Authorized Distributor

Click to View Pricing, Inventory, Delivery & Lifecycle Information:

[TE Connectivity:](#)

[208492-1](#)