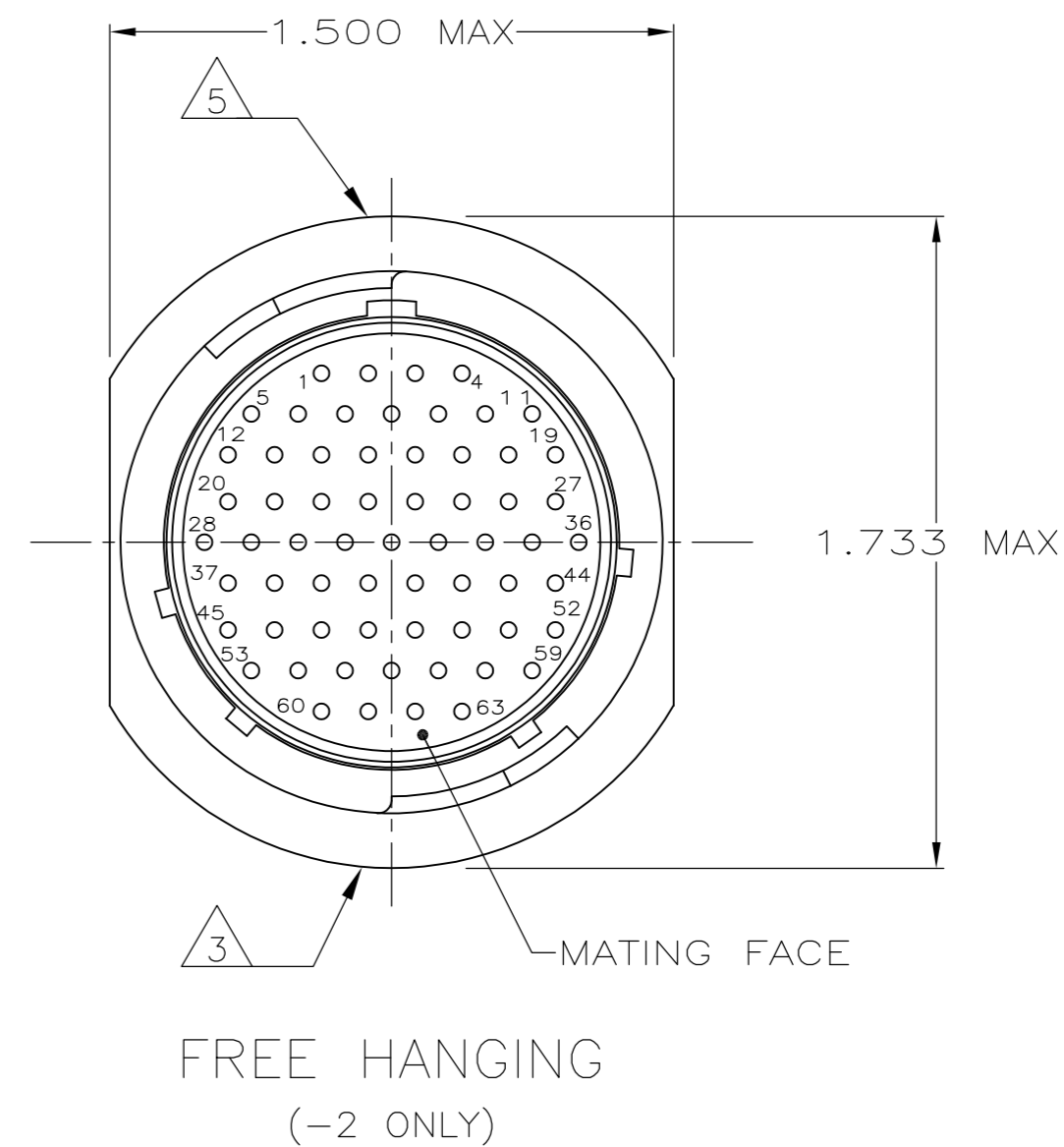
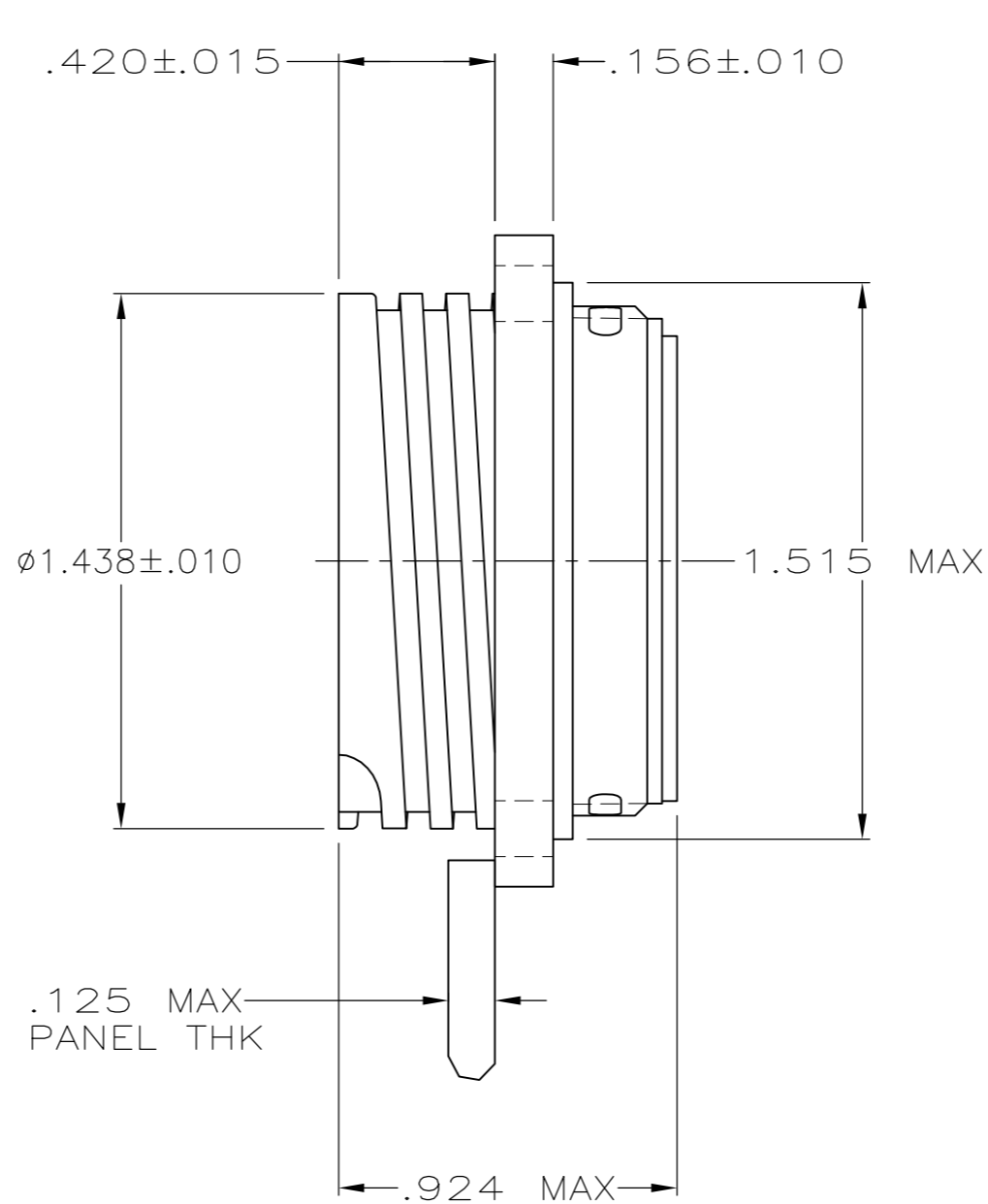
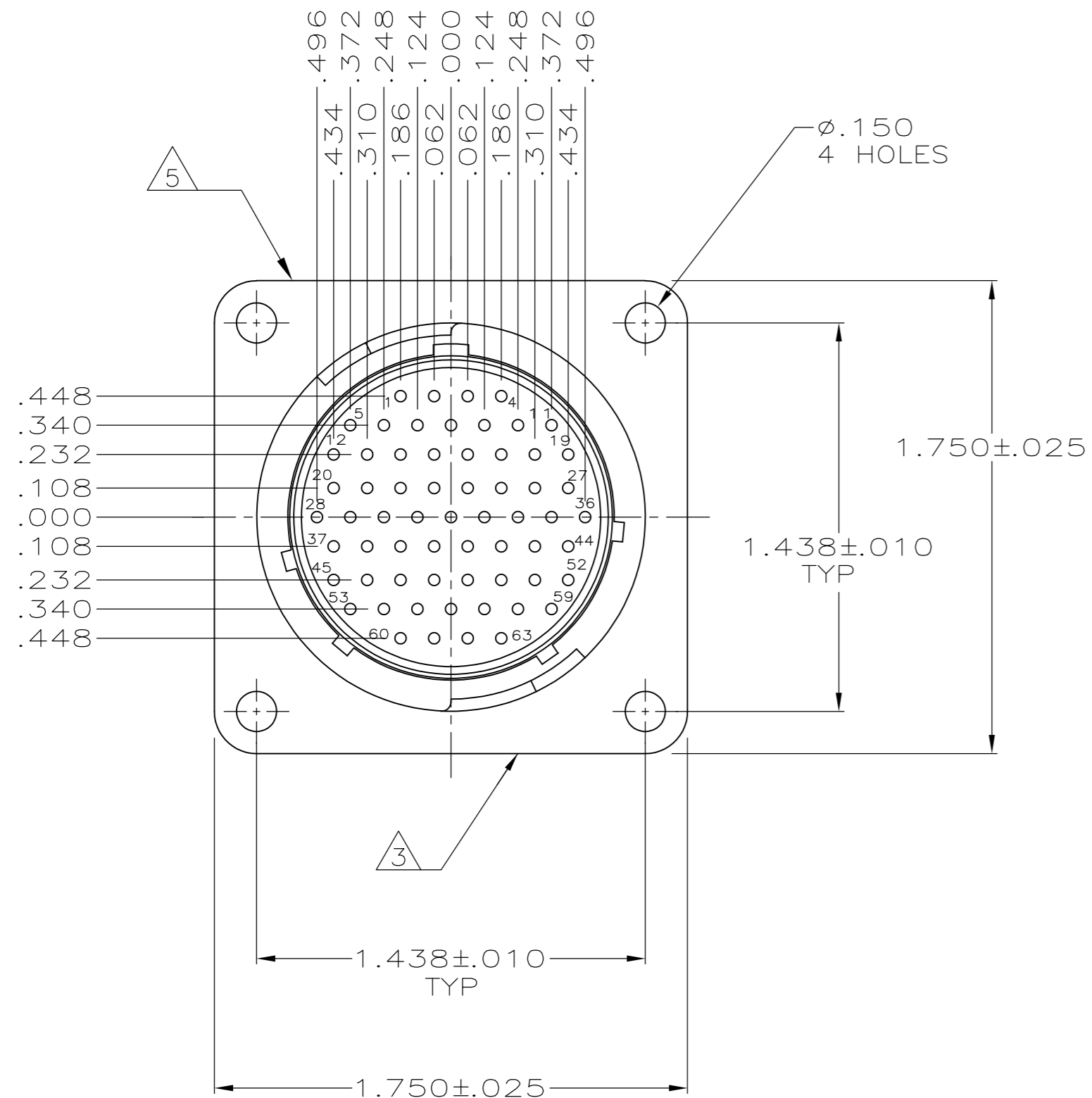
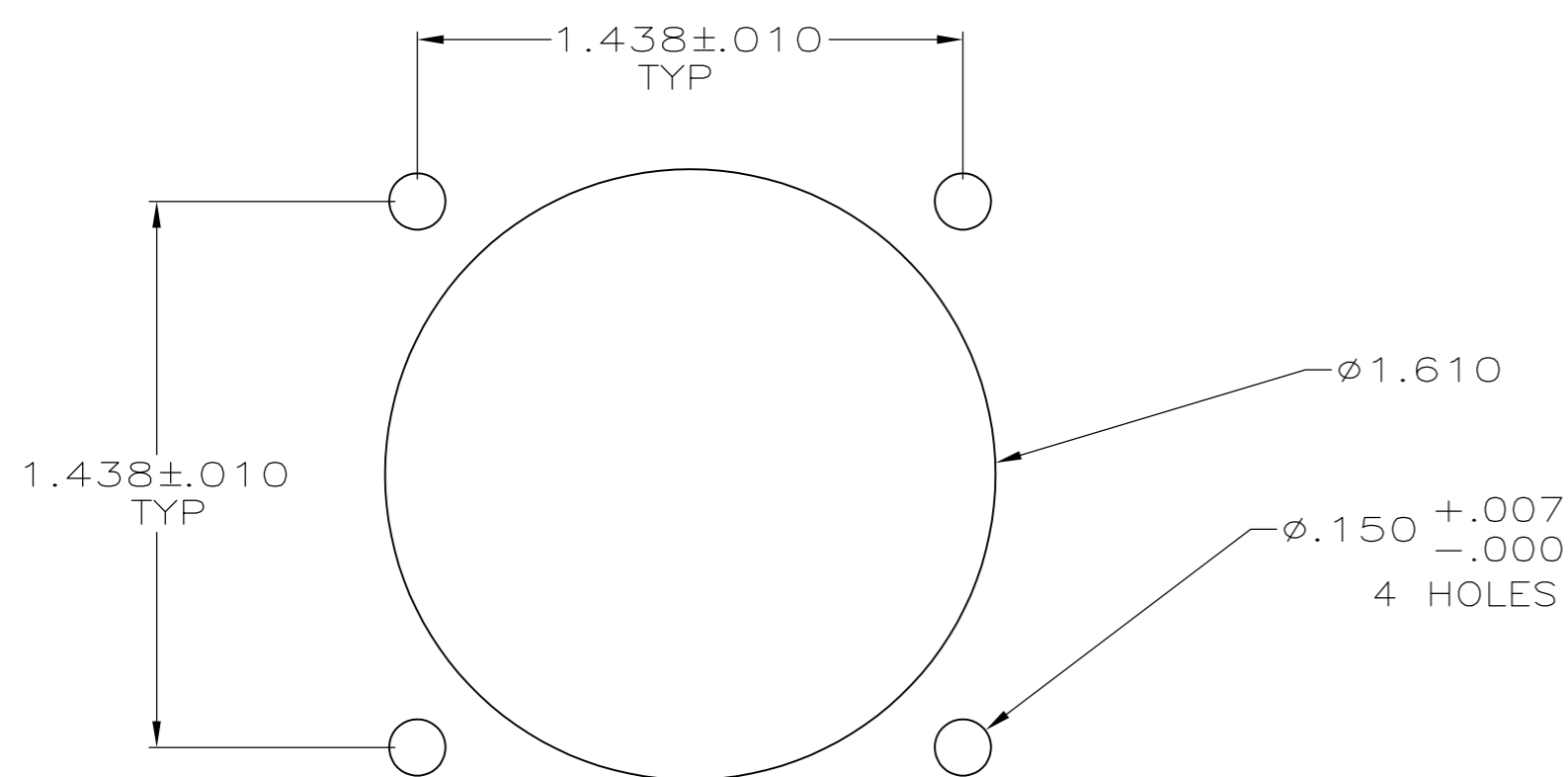


THIS DRAWING IS UNPUBLISHED. RELEASED FOR PUBLICATION  
 © COPYRIGHT - By - ALL RIGHTS RESERVED.

REVISIONS					
P	LTR	DESCRIPTION	DATE	DWN	APVD
G		REVISED PER ECO-16-012955	07SEP2016	NK	MZ



- 1 CONTACT CAVITIES IDENTIFIED BY CHARACTERS ON FRONT AND REAR FACES OF CONNECTOR.
- 2 WILL ACCEPT (63) SIZE 20 PIN CONTACTS.
- 3 AMP ON FLANGE EDGE.
- 4 #4 FASTENER RECOMMENDED FOR MOUNTING.
- 5 PART NUMBER ON FLANGE EDGE.



PANEL CUTOUT

THIS DRAWING IS A CONTROLLED DOCUMENT.		DWN A.STAUB BG 4/3/91																						
DIMENSIONS: INCHES		CHK W.G.LENKER 7-24-92																						
TOLERANCES UNLESS OTHERWISE SPECIFIED:		APVD K.BEAVER 7-24-92	NAME RECEPTACLE ASSEMBLY, STD SEX, SERIES 2, 23-63, CPC																					
<table border="1"> <tr><td>0 PLC</td><td>±</td><td>-</td></tr> <tr><td>1 PLC</td><td>±</td><td>-</td></tr> <tr><td>2 PLC</td><td>±</td><td>-</td></tr> <tr><td>3 PLC</td><td>±</td><td>.005</td></tr> <tr><td>4 PLC</td><td>±</td><td>-</td></tr> <tr><td>ANGLES</td><td>±</td><td>-</td></tr> </table>		0 PLC	±	-	1 PLC	±	-	2 PLC	±	-	3 PLC	±	.005	4 PLC	±	-	ANGLES	±	-	PRODUCT SPEC 108-10024	SIZE A2	CAGE CODE 00779	DRAWING NO C=205843	RESTRICTED TO -
0 PLC	±	-																						
1 PLC	±	-																						
2 PLC	±	-																						
3 PLC	±	.005																						
4 PLC	±	-																						
ANGLES	±	-																						
MATERIAL THERMOPLASTIC, BLACK		FINISH -	WEIGHT	SCALE 2:1	SHEET 1 of 1	REV G																		

205843

B

A

# Mouser Electronics

Authorized Distributor

Click to View Pricing, Inventory, Delivery & Lifecycle Information:

[TE Connectivity:](#)

[205843-1](#)