

DA10-050 Series

10 Watts

Data Sheet

Total Power: 10 Watts
Input Voltage: 100 - 240 Vac
of Outputs: Single

SPECIAL FEATURES

- Small size 44 x 39.5 x 25 mm excluding AC pins
- High average loading efficiency 79% min.
- USB connector output
- -10 °C to +40 °C operating temperature range
- Protections: overvoltage, overtemperature, overcurrent, short circuit
- Reinforced isolation 3000 Vac rms
- European CoC v5 T2 & US DoE VI Compliant
- EN60950-1 Safety Standard
- One year warranty

SAFETY

- cUL/UL 60950-1
- IEC/EN 60950-1
- IEC 62368-1
- CCC
- CE
- GS
- Designed to meet:
 - NOM-NYCE
 - SPRING
 - IRAM
 - C-Tick
 - NSW



Electrical Specifications

Input	
Input voltage range	90 - 264 Vac (100 - 240 Vac nominal)
Frequency	47 - 63 Hz (50 / 60 Hz nominal)
Input current (max)	300 mA
Leakage current	100 μ A
No load power	<75 mW
Output	
Maximum power	10 W
Output voltage	5 V
Hold-up time	10 ms typical 115 Vac at full load

Environmental Specifications

Operating temperature	-10 °C to +40 °C
Storage temperature	-40 °C to +85 °C
Electromagnetic susceptibility	EM55022, FCC Part 15
Humidity	Non-condensing 5% to 95% RH
MTBF	>100,000 hours at full load and 25 °C ambient

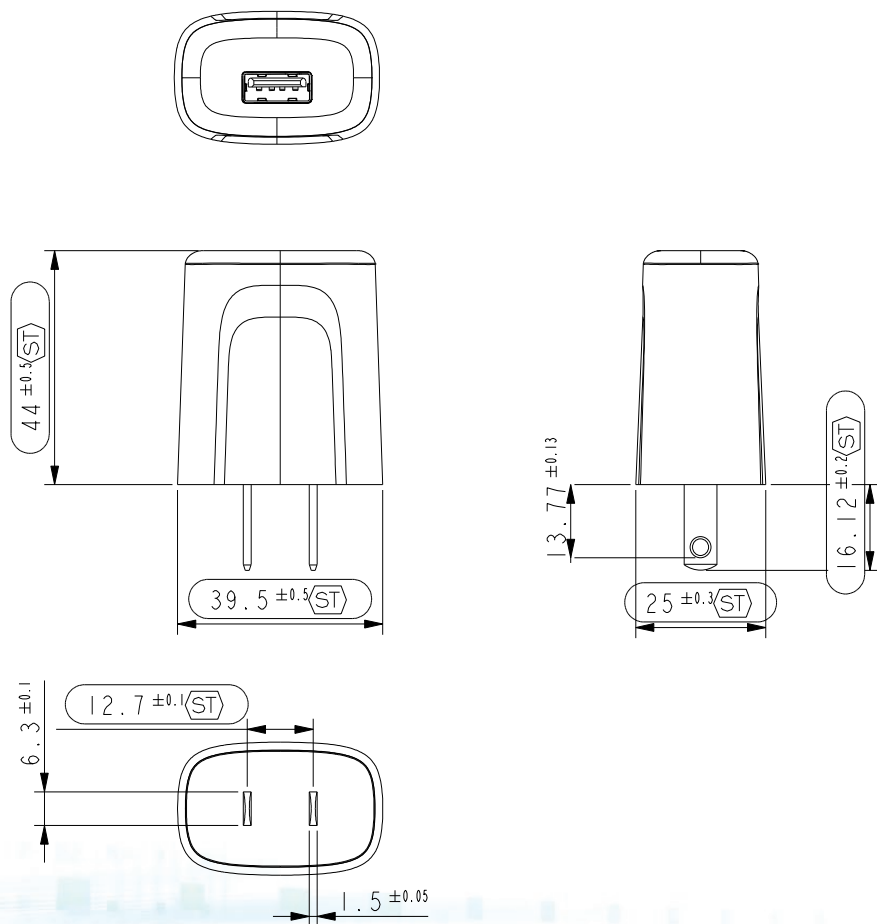
Ordering Information

Model Number	Input Voltage Range	Output Voltage	Minimum Load	Maximum Load
DA10-050US	90 - 264 Vac	5 V	0 A	2 A
DA10-050CH	90 - 264 Vac	5 V	0 A	2 A
DA10-050EU	90 - 264 Vac	5 V	0 A	2 A
DA10-050UK	90 - 264 Vac	5 V	0 A	2 A

AC Plug Configuration for Fixed Plug

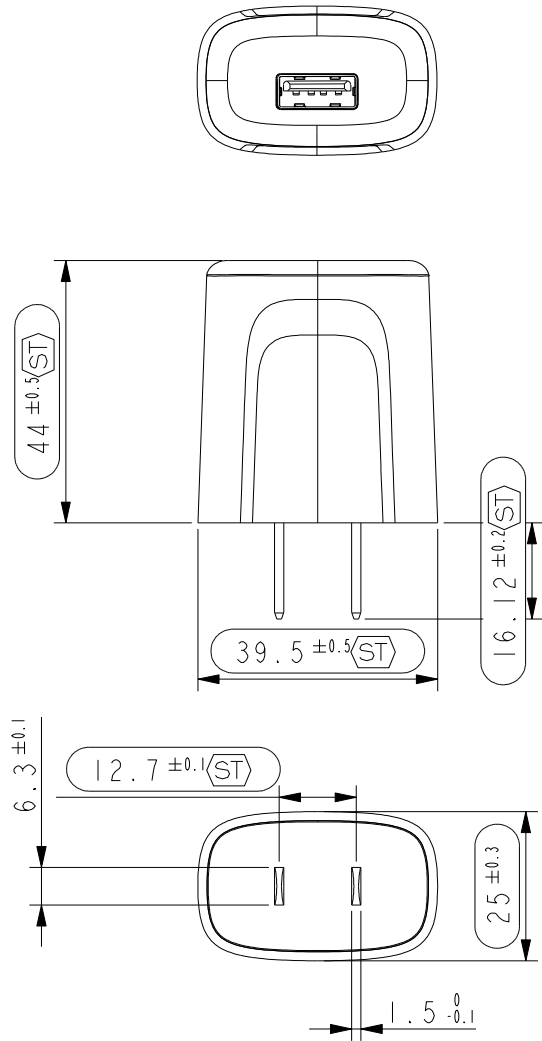
U.S. 2-prong	US
China 2-prong	CH
Europe 2-prong	EU
UK 3-prong	UK

Mechanical Drawings - DA10-050 US



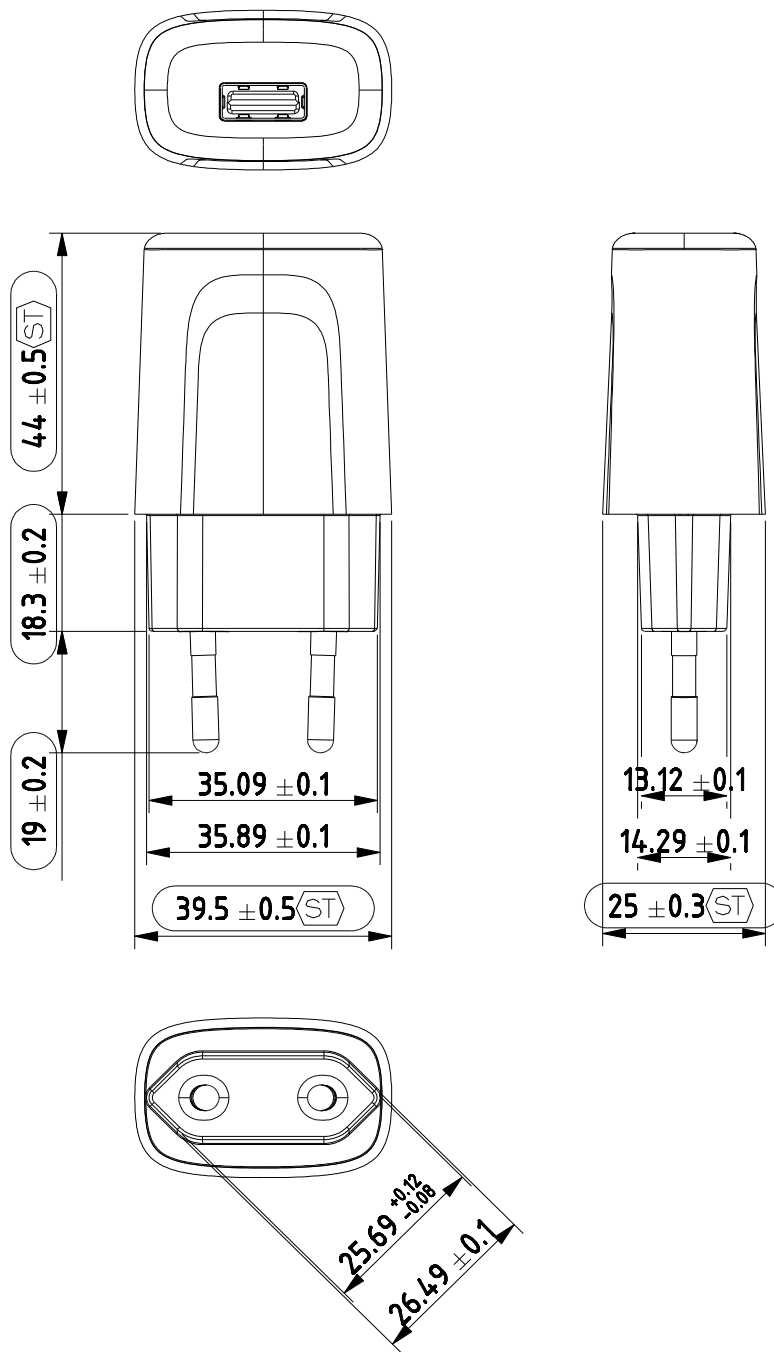
Note: All dimensions in mm.

Mechanical Drawings - DA10-050CH



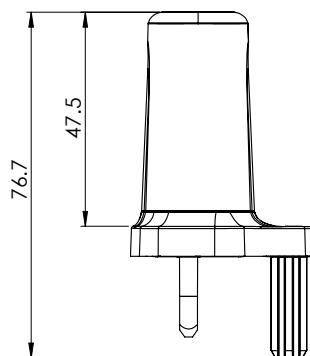
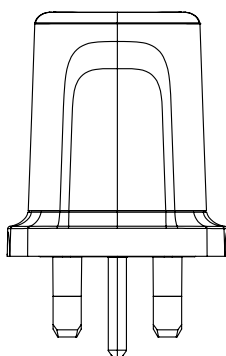
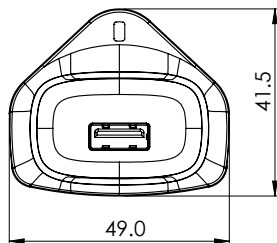
Note: All dimensions in mm.

Mechanical Drawings - DA10-050EU



Note: All dimensions in mm.

Mechanical Drawings - DA10-050UK



Note: All dimensions in mm.

WORLDWIDE OFFICES

Americas

2900 S.Diablo Way
Tempe, AZ 85282
USA
+1 888 412 7832

Europe (UK)

Waterfront Business Park
Merry Hill, Dudley
West Midlands, DY5 1LX
United Kingdom
+44 (0) 1384 842 211

Asia (HK)

14/F, Lu Plaza
2 Wing Yip Street
Kwun Tong, Kowloon
Hong Kong
+852 2176 3333



www.artesyn.com

Artesyn Embedded Technologies, Artesyn and the Artesyn Embedded Technologies logo are trademarks and service marks of Artesyn Embedded Technologies, Inc. All other names and logos referred to are trade names, trademarks, or registered trademarks of their respective owners. © 2016 Artesyn Embedded Technologies, Inc. All rights reserved. For full legal terms and conditions, please visit www.artesyn.com/legal

For more information: www.artesyn.com/power
For support: productsupport.ep@artesyn.com