

Sin nuestra expresa autorización, queda terminantemente prohibida la reproducción total o parcial de este documento, así como su uso indebido y/o su exhibición o comunicación a terceros. De los infractores se exigirá el correspondiente resarcimiento de daños y perjuicios. Se reserva todos los derechos para el caso de la concesión de patente de invención o el registro de Modelo Industrial.

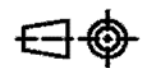

Weitergabe sowie Veröffentlichung dieser Unterlage, Verwertung und Mitteilung ihres Inhalts sind nicht gestattet, soweit nicht ausdrücklich zugestanden. Zuwiderhandlungen verpflichten zu Schadenersatz. Alle Rechte für den Fall der Patenterteilung oder GM-Eintragung vorbehalten.

Copying of this document, and giving it to others and the use or communication of the contents thereof, are forbidden without express authority. Offenders are liable to the payment of damages. All rights are reserved in the event of the grant of a patent or the registration of a utility model or design.



1 FOR PLASTIC PARTS (POS. 1 AND 2):
 - LENGTHS: DIN 16901/130,
 - ANGLES, FORMS: DIN 7168-m, R,
 FOR METAL PARTS (POS. 3 AND 4): DIN 7168-m,
 FOR SCREWS (POS. 5 AND 6): DIN 7981 F-H.

P/N 9 contacts version: V42254-A6000-G*09

| | | |
|--|---|--|
|  Datum: 30.08.88 Bearb: De Petter Geor: PD Com P&SE Norm: | Maßstab | |
| |  | |
| | D-Sub housing shielded 9 contacts | |
| | customer drawing number: C 1393738-1 | |

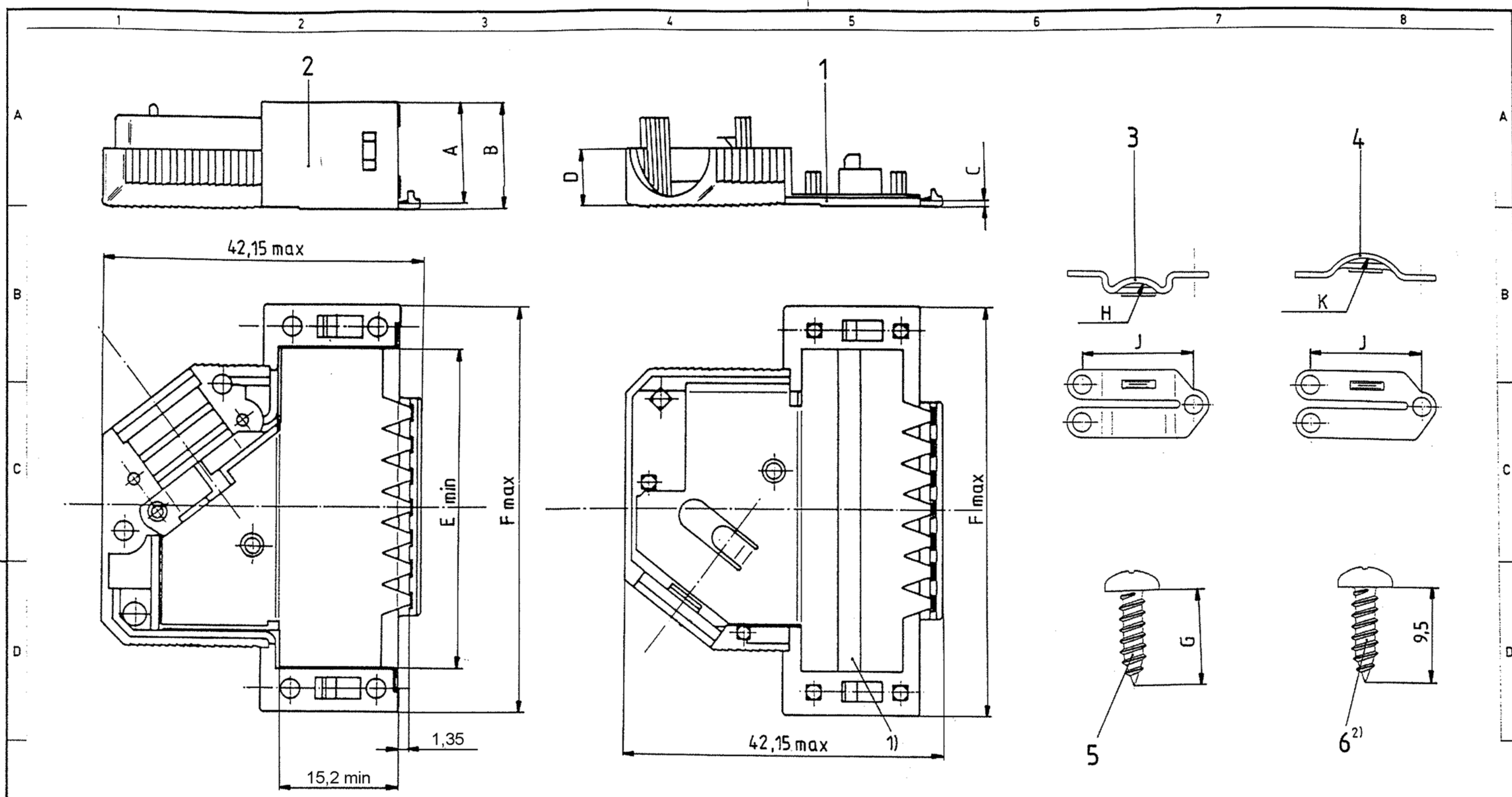
| | | | |
|------|---------------|---------|------|
| D | ECO-12-017358 | 22JAN13 | CWR |
| C | ECO-12-008266 | 28AUG12 | CWR |
| Zust | Mitteilung | Datum | Name |

TOLERANCES UNLESS OTHERWISE SPECIFIED:
 1
 V42254-A6000-G***-*-27
 page 1+ of 6

Si esta versión autorizada, queda automáticamente prohibida la reproducción total o parcial de este documento, así como su uso indebido y/o su exhibición o comunicación a terceros. De los infractores se exigirá el correspondiente resarcimiento de daños y perjuicios. Se reserva todos los derechos para el caso de la concesión de patente de invención o el registro de Modelo Industrial.

Weitergabe sowie Vervielfältigung dieses Unterbauelementes und Mitteilung ihres Inhalts ist nicht gestattet, soweit nicht ausdrücklich zugestanden. Zuwiderhandlung kann strafrechtliche und zivilrechtliche Ansprüche zur Schadensersatzung auslösen. Alle Rechte vorbehalten.

Copying of this document and opening it to others and the use or communication of the contents thereof are forbidden without express authority. Offenders are liable to the payment of damages. All rights are reserved in the event of the grant of a patent or the registration of a utility model or design.



| housing | | dimension | | | | | | | | | |
|---------------|-----------------|-----------|------|-----|-----|-------|-------|-----|------|------|------|
| P/N | No. of contacts | A | B | C | D | E | F | G | H | J | K |
| V42254-A6000- | | | | | | | | | | | |
| G × 15 | 15 | | | | | 28 | 39,62 | | R3 | 14,5 | R4,5 |
| G × 25 | 25 | 13 | 14 | 1 | 7,5 | 41,8 | 53,52 | 6,5 | R4 | 16 | R5,5 |
| G × 37 | 37 | | | | | 58,25 | 69,8 | | | | |
| G × 50 | 50 | 16 | 17,5 | 1,5 | 9,5 | 55,78 | 67,41 | 9,5 | R5,5 | 20,6 | R7 |

2) only for the 37 contacts version
 1) tape only for the 15 to 37 contacts versions
 drawn is the 25 contacts version

| | | | | | |
|--|--|---|--|---|--|
| | |  | | Maßstab | |
| | |  | | TE Connectivity | |
| | | Datum: 30.08.88 Bearb. De Petter Gepr. PD Com P&SE Norm.: | | D-Sub housing shielded 15 to 50 contacts | |
| | | TOLERANCES UNLESS OTHERWISE SPECIFIED: | | V42254-A6000-G***-*-27 | |
| | | D SEE SHEET 1 | | page 2+ | |
| | | Zust. Mitteilung Datum Name | | customer drawing number: C 1393738-1 | |
| | |  | | of 6 | |

V 4 2 2 5 4 - A 6 0 0 * - G * * *

Housing type

G plastic housing, shielded

Marking and colour of the housing

- 1 TE-marking, grey
- 2 without marking, grey
- 3 TE-marking, black
- 4 without marking, black

| wire diameter | 0 | 1 | 2 | 3 | 4 | No. of contacts - housing size |
|---------------|--------|-------|--------|-----|------|---------------------------------|
| | 9-14,5 | 4-8 | 4-6 | 6-8 | | |
| 9-12 | 5-10 | 5-8 | 8-10 | | 5-10 | 15 15 contacts - housing size 2 |
| 12-14,5 | 5-11 | 5-8,5 | 8,5-1 | | 5-11 | 25 25 contacts - housing size 3 |
| | 6-11 | 6-8 | 10-11 | | 6-11 | 37 37 contacts - housing size 4 |
| | 9-14,5 | 9-12 | 9-14,5 | | 6-11 | 50 50 contacts - housing size 5 |

Packaging

| | | | | | | |
|--------|-----|-----|-----|-----|-----|---|
| set 1) | 200 | 200 | 200 | 200 | 200 | 1) per set, in blister - 9 and 15 contacts : 25 - 25, 37 and 50 contacts : 15 |
| 2) | | | | | | 2) loose pieces, in cardboard : 200 |



TE Connectivity



LOC DIMENSIONS IN MM

SCALE WEIGHT

MATERIAL

DATE 30.08.88

NAME De Petter

DEP. PD Com P&SE

EC

TOLERANCE UNLESS SPECIFIED OTHERWISE

NAME D-Sub Housing

shielded

DWG NO. SHT. 3+

V42254-A6000-G***-*-27

REV. CHANGE ORDER DATE APP. customer drawing number: C 1393738-1 OF 6

THIS INFORMATION IS CONFIDENTIAL AND PROPRIETARY TO TYCO ELECTRONICS CORPORATION AND ITS WORLDWIDE SUBSIDIARIES AND AFFILIATES. IT MAY NOT BE DISCLOSED TO ANYONE, OTHER THAN TYCO ELECTRONICS PERSONEL, WITHOUT WRITTEN AUTHORIZATION FROM TYCO ELECTRONICS CORPORATION, HARRISBURG, PENNSYLVANIA USA.

PROPRIETARY:

1

2

3

4

A

Active part numbers. Contact Tyco Electronics for other configuration availability

B

| Old Part Number | TE Part Number | |
|-------------------|----------------------|---------------------------|
| V42254-A6000-G109 | 1393738-1 | |
| V42254-A6000-G115 | 1393738-2 | |
| V42254-A6000-G125 | 1393738-3 | |
| V42254-A6000-G137 | 1393738-4 | |
| V42254-A6000-G150 | 1393738-5 | |
| V42254-A6000-G209 | 1393738-6 | OBSOLETE |
| V42254-A6000-G309 | 1393738-7 | OBSOLETE |
| V42254-A6000-G315 | 1393738-8 | OBSOLETE |
| V42254-A6000-G325 | 1393738-9 | SUPERSEDED BY 1393738-1 |
| V42254-A6001-G109 | 4-1393738-2 | OBSOLETE |
| V42254-A6001-G125 | 4-1393738-4 | SUPERSEDED BY 6-1393738-1 |
| V42254-A6001-G309 | 4-1393738-5 | SUPERSEDED BY 1-1393739-9 |
| V42254-A6001-G315 | 4-1393738-6 | SUPERSEDED BY 6-1393738-7 |
| V42254-A6002-G109 | 5-1393738-0 | OBSOLETE |
| V42254-A6002-G125 | 5-1393738-2 | SUPERSEDED BY 6-1393738-1 |
| V42254-A6003-G137 | 5-1393738-7 | SUPERSEDED BY 6-1393738-2 |
| V42254-A6004-G109 | 5-1393738-9 | |
| V42254-A6004-G115 | 6-1393738-0 | |
| V42254-A6004-G125 | 6-1393738-1 | |
| V42254-A6004-G137 | 6-1393738-2 | |
| V42254-A6004-G150 | 6-1393738-3 | |
| V42254-A6004-G209 | 6-1393738-4 | SUPERSEDED BY 5-1393738-9 |
| V42254-A6004-G215 | 6-1393738-5 | OBSOLETE |
| V42254-A6004-G225 | 6-1393738-6 | OBSOLETE |
| V42254-A6004-G309 | 1-1393739-9 | OBSOLETE |
| V42254-A6004-G315 | 6-1393738-7 | OBSOLETE |
| V42254-A6004-G325 | 2-1393739-0 | OBSOLETE |
| V42254-A6004-G337 | 2-1393739-1 | SUPERSEDED BY 6-1393738-2 |
| V42254-A6004-G350 | 2-1393739-2 | SUPERSEDED BY 6-1393738-3 |
| V42254-A6004-G409 | 6-1393738-8 | OBSOLETE |
| V42254-A6004-G415 | 6-1393738-9 | OBSOLETE |
| V42254-A6004-G437 | 7-1393738-1 | OBSOLETE |

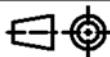
C

D

E



TE Connectivity



LOC DIMENSIONS IN MM
GW

SCALE

WEIGHT

MATERIAL

DATE 30.08.88

NAME

NAME De Petter

D-Sub Housing

DEP. PD Com P&SE

shielded

EC

TOLERANCE UNLESS SPECIFIED OTHERWISE

DWG NO.

SHT. 4+

V42254-A6000-G***-*-27

REV. SEE SHEET 1.

Customer Drawing: C 1393738-1

OF 6

1

2

3

4

F

THIS INFORMATION IS CONFIDENTIAL AND PROPRIETARY TO TYCO ELECTRONICS CORPORATION AND ITS WORLDWIDE SUBSIDIARIES AND AFFILIATES. IT MAY NOT BE DISCLOSED TO ANYONE, OTHER THAN TYCO ELECTRONICS PERSONNEL, WITHOUT WRITTEN AUTHORIZATION FROM TYCO ELECTRONICS CORPORATION, HARRISBURG, PENNSYLVANIA USA.

PROPRIETARY:

PROPRIETARY: THIS INFORMATION IS CONFIDENTIAL AND PROPRIETARY TO TYCO ELECTRONICS CORPORATION AND ITS WORLDWIDE SUBSIDIARIES AND AFFILIATES. IT MAY NOT BE DISCLOSED TO ANYONE, OTHER THAN TYCO ELECTRONICS PERSONNEL, WITHOUT WRITTEN AUTHORIZATION FROM TYCO ELECTRONICS CORPORATION, HARRISBURG PENNSYLVANIA USA

V 4 2 2 5 4 - A 6 1 * * - L 1

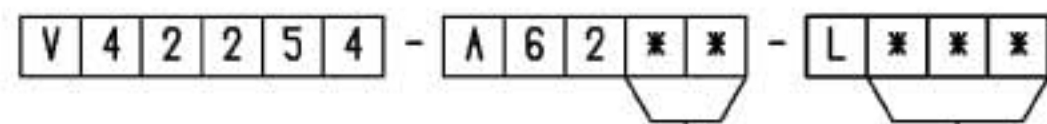
| Technical data | | |
|----------------|--|---------------------------------------|
| | contact tube outer diameter ±0.1 | for shield braiding outer diameter |
| 04 | 4 | 2.0 to 2.7 |
| 05 | 5 | 2.8 to 3.7 |
| 06 | 6 | 3.8 to 4.7 |
| 07 | 7 | 4.8 to 5.7 |
| 08 | 8 | 5.8 to 6.7 |
| 09 | 9 | 6.8 to 7.7 |
| 10 | 10 | 7.8 to 8.7 |
| 11 | 11 | 8.8 to 9.7 |
| 12 | 12 | 9.8 to 10.7 |
| 13 | 13 | 10.8 to 11.7 |
| 14 | 14 | 11.8 to 12.7 |
| 15 | 15 | 12.8 to 13.7 |

Active part numbers. Contact Tyco Electronics for other configuration availability

| Old Part Number | TE Part Number | |
|-----------------|------------------------|----------|
| V42254-A6104-L1 | 3-1393561-2 | OBSOLETE |
| V42254-A6105-L1 | 3-1393561-3 | |
| V42254-A6106-L1 | 3-1393561-4 | |
| V42254-A6107-L1 | 3-1393561-5 | |
| V42254-A6108-L1 | 3-1393561-6 | |
| V42254-A6109-L1 | 3-1393561-9 | |
| V42254-A6110-L1 | 4-1393561-0 | |
| V42254-A6111-L1 | 4-1393561-1 | OBSOLETE |
| V42254-A6112-L1 | 4-1393561-2 | |
| V42254-A6113-L1 | 4-1393561-3 | OBSOLETE |
| V42254-A6114-L1 | 4-1393561-4 | OBSOLETE |
| V42254-A6115-L1 | 5-1393502-9 | OBSOLETE |

| | | | | | | | | |
|--|--------------|------|------|--|--|---------|--|------|
| APPLICABLE SPEC.: | | | | FINISH | | | | |
|  TE Connectivity | | | | DIMENSIONS APPLY | | PLATING | | |
| | | | | SCALE | | WEIGHT | | |
|  DIMENSIONS IN MM | | | | MATERIAL | | | | |
| DATE 30.08.88 NAME De Petter DEP. PD Com P&SE EC | | | | NAME D-Sub Housing accessories: contact tubes | | | | |
| TOLERANCE UNLESS SPECIFIED OTHERWISE | | | | DWG NO. V42254-A6000-G***-*-27 | | SHT. 5+ | | |
| REV. D | CHANGE ORDER | DATE | APP. | customer drawing number: C 1393738-1 | | | | OF 6 |

PROPRIETARY: THIS INFORMATION IS CONFIDENTIAL AND PROPRIETARY TO TYCO ELECTRONICS CORPORATION AND ITS WORLDWIDE SUBSIDIARIES AND AFFILIATES. IT MAY NOT BE DISCLOSED TO ANYONE, OTHER THAN TYCO ELECTRONICS PERSONNEL, WITHOUT WRITTEN AUTHORIZATION FROM TYCO ELECTRONICS CORPORATION, HARRISBURG PENNSYLVANIA USA



| | | Technical Data | |
|----|------|-----------------------------|----------------------|
| | | bushing inner diameter ±0.2 | cable outer diameter |
| 00 | 1)2) | / | / |
| 05 | 3) | 5 | 4.2 to 4.9 |
| 06 | 3) | 6 | 5.0 to 5.9 |
| 07 | 3) | 7 | 6.0 to 6.9 |
| 08 | 3) | 8 | 7.0 to 7.9 |
| 09 | 3) | 9 | 8.0 to 8.9 |
| 10 | 2) | 10 | 9.0 to 9.9 |
| 11 | 2) | 11 | 10.0 to 10.9 |
| 12 | 4) | 12 | 11.0 to 11.9 |
| 13 | 4) | 13 | 12.0 to 12.9 |
| 14 | 4) | 14 | 13.0 to 13.9 |
| 15 | 4) | 15 | 14.0 to 14.9 |

| | contacts | colour |
|-----|----------|--------|
| 1 | 9 to 37 | grey |
| 50 | 50 | grey |
| 100 | 9 to 37 | black |
| 150 | 50 | black |

Active part numbers. Contact Tyco Electronics for other configuration availability

| Old Part Number | TE Part Number | |
|-------------------|----------------|----------|
| V42254-A6200-L 1 | 4-1393561-5 | OBSOLETE |
| V42254-A6200-L 50 | 4-1393561-6 | |
| V42254-A6200-L100 | 5-1393502-1 | OBSOLETE |
| V42254-A6200-L150 | 5-1393502-2 | OBSOLETE |
| V42254-A6205-L 1 | 4-1393561-7 | |
| V42254-A6205-L100 | 4-1393561-8 | |
| V42254-A6206-L 1 | 4-1393561-9 | |
| V42254-A6206-L100 | 5-1393561-0 | |
| V42254-A6207-L 1 | 5-1393561-1 | |
| V42254-A6207-L100 | 5-1393561-4 | OBSOLETE |
| V42254-A6208-L 1 | 5-1393561-5 | |
| V42254-A6208-L100 | 5-1393561-6 | OBSOLETE |
| V42254-A6209-L 1 | 5-1393561-7 | |
| V42254-A6209-L100 | 5-1393561-8 | |
| V42254-A6210-L 1 | 5-1393561-9 | |
| V42254-A6210-L 50 | 6-1393561-0 | OBSOLETE |
| V42254-A6210-L100 | 6-1393561-1 | OBSOLETE |
| V42254-A6210-L150 | 5-1393502-3 | OBSOLETE |
| V42254-A6211-L 1 | 6-1393561-2 | |
| V42254-A6211-L 50 | 6-1393561-3 | OBSOLETE |
| V42254-A6211-L100 | 5-1393502-4 | OBSOLETE |
| V42254-A6211-L150 | 5-1393502-5 | OBSOLETE |
| V42254-A6212-L 50 | 6-1393561-4 | OBSOLETE |
| V42254-A6212-L150 | 5-1393502-6 | OBSOLETE |
| V42254-A6213-L 50 | 6-1393561-5 | OBSOLETE |
| V42254-A6213-L150 | 5-1393502-7 | OBSOLETE |
| V42254-A6214-L 50 | 6-1393561-6 | OBSOLETE |
| V42254-A6214-L150 | 5-1393502-8 | OBSOLETE |
| V42254-A6215-L 50 | 8-1393501-5 | OBSOLETE |
| V42254-A6215-L150 | 6-1393561-7 | OBSOLETE |

- 4) only for 50 contacts
- 3) only for 9 to 37 contacts
- 2) for 9 to 50 contacts
- 1) Blank bushing

| | | | | | | | |
|--|--|-------------------|--|--|--|---|--|
| APPLICABLE SPEC. | | | | FINISH | | | |
| | | | | DIMENSIONS APPLY | | PLATING | |
| | | | | SCALE | | WEIGHT | |
| | | | | MATERIAL | | | |
| DATE: 30.08.88 NAME: De Petter DEP.: PD Com P&SE EC | | | | NAME: D-Sub Housing accessories: cable bushings | | | |
| TOLERANCE UNLESS SPECIFIED OTHERWISE | | | | DWG NO. | | SHT. 6 | |
| D SEE SHEET 1 | | REV. CHANGE ORDER | | DATE | | APP. customer drawing number: C 1393738-1 | |
| | | | | V42254-A6000-G***-*-27 | | OF 6 | |

Mouser Electronics

Authorized Distributor

Click to View Pricing, Inventory, Delivery & Lifecycle Information:

[TE Connectivity:](#)

[5-1393738-9](#)