

REMARK:

1. CHARACTERISTICS:

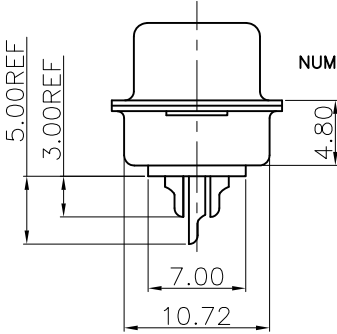
RATED VOLTAGE: 250V  
 RATED CURRENT: 2.5AMP  
 CONTACT RESISTANCE: 25mohms MAX. INITIAL,  
 40mohms MAX. AFTER.  
 INSULATION RESISTANCE: 5000Mohms MIN. at 500V DC  
 DIELECTRIC STRENGTH: 750VRMS  
 OPERATING TEMPERATURE RANGE: -55C° ~105C°  
 INSERTION/EXTRACTION FORCE PER CONTACT: 5N Max. /0.2N Min.  
 MATING/UNMATING CYCLES: 50MATINGS MIN FOR GOLD-FLASH

2. MATERIAL:

INSULATORS: THERMOPLASTIC G. F(UL94V-0) BLACK  
 CONTACTS: COPPER ALLOY, GOLD(G/F) TOP OVER CONTACT  
 AREA, 100u" Min MATTE TIN TOP OVER SOLDER AREA,  
 50u" Min NICKEL UNDER PLATE.  
 SHELL: CARBON STEEL, 100u" Min NICKEL TOP OVER,  
 50u" Min COPPER UNDER PLATE.

3. PART NUMBER DESCRIPTION: 10090769-P XX 4 A LF

SERIES NO. \_\_\_\_\_  
 TYPE: P: PIN (MALE) LF: ROHS COMPLIANT  
 FLANGE MOUNTING OPTION  
 A: STANDARD HOLE  
 NUMBER OF CONTACTS: 15: 15-PIN, 26: 26-PIN, 44: 44-PIN  
 CONTACT FINISH: 4:GOLD FLASH



POS.	WIRE AWG
15	24~28
26	24~28
44	24~28

POS.	PART NO.	A	B	C	D	E	H
15	10090769-P154ALF	30.81	24.99	16.92	2.29	19.10	5.90 <sup>+0.25</sup> <sub>-0</sub>
26	10090769-P264ALF	39.24	33.32	25.25	2.29	27.75	5.90 <sup>+0.25</sup> <sub>-0</sub>
44	10090769-P444ALF	53.04	47.04	38.96	2.29	41.30	5.70 <sup>+0.25</sup> <sub>-0</sub>

mat'l. code		surface		tolerance		projection		product family	
SEE NOTES		ISO 1302	ISO 406	ISO 1101	tolerances unless otherwise specified		D-SUB		
ltr	ecn no	dr	date	angles	mm	mm	title		
C	ELX-I-20164	AB	2015/02/03		.X ± 0.38		H/D D-SUB MALE SOLDER BUCKET		
D	ELX-I-20490	MP	2015/03/17		.XX ± 0.25		-		
E	ELX-I-20972	AB	2015/05/30	0° ± 2'	.XXX ± 0.10		scale 1:1		
sheet index		revision	E	-	-	-	FCI		dwg no
1		sheet	1	-	-	-	10090769		sheet 1 of 1
							type		size
							PRODUCT_CUSTOMER Drawing		A4

# Mouser Electronics

Authorized Distributor

Click to View Pricing, Inventory, Delivery & Lifecycle Information:

[FCI / Amphenol:](#)

[10090769-P154ALF](#) [10090769-P156ALF](#) [10090769-P264ALF](#) [10090769-P266ALF](#) [10090769-P444ALF](#) [10090769-P446ALF](#) [10090769-P624ALF](#) [10090769-P626ALF](#) [10090769-P784ALF](#) [10090769-P786ALF](#)