

NOTES:

1. CHARACTERISTICS:

RATED VOLTAGE: 250V
RATED CURRENT: 2.5AMP
CONTACT RESISTANCE: 25mohms MAX. INITIAL,
40mohms MAX. AFTER.

INSULATION RESISTANCE: 5000Mohms MIN. at 500V DC
DIELECTRIC STRENGTH: 750VRMS
OPERATING TEMPERATURE RANGE: -55° C~105° C
INSERTION/EXTRACTION FORCE PER CONTACT: 5N Max. /0.2N Min.
MATING/UNMATING CYCLES: 200MATINGS MIN FOR GOLD-FLASH
500MATINGS MIN FOR 30u" GOLD.

2. MATERIAL:

INSULATORS: THERMOPLASTIC G.F(UL94V-0) BLACK
CONTACTS: COPPER ALLOY, GOLD(G/F or 30u") TOP OVER CONTACT
AREA, 100u" Min MATTE TIN TOP OVER SOLDER AREA,
50u" Min NICKEL UNDER PLATE.

SHELL: CARBON STEEL, 100u" Min NICKEL TOP OVER,
50u" Min COPPER UNDER PLATE.

HARPOON: COPPER ALLOY , 100u" Min MATTE TIN PLATED.

3. Type H Insulator will withstand exposure to 260° C peak temperature
for 10 seconds maximum in a wave soldering application

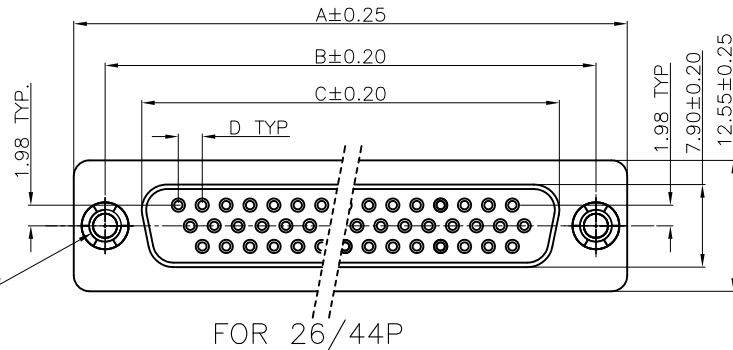
4. PART NUMBER DESCRIPTION:

10090929-S XX X X LF

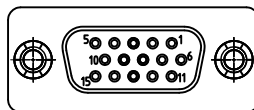
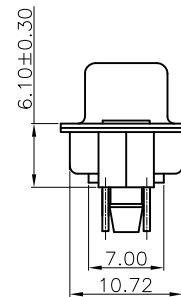
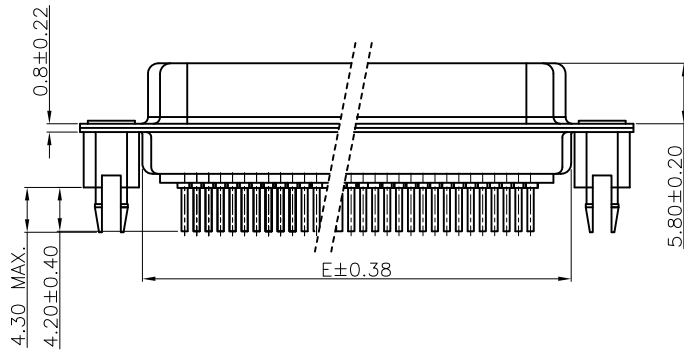
SERIES NO. _____
TYPE _____
S: SOCKET PBT (FEMALE)
H: SOCKET PART (FEMALE)
(See Note 3)
NUMBER OF CONTACTS _____
15: 15-PIN
26: 26-PIN
44: 44-PIN
LF: ROHS COMPLIANT
FLANGE MOUNTING OPTION
X: UNC #4-40 CLINCHNUTS
CONTACT FINISH
4: FLASH GOLD
6: 30u" GOLD

POS.	PART NO.	THREAD TYPE
15	10090929-*15*XLF	UNC #4-40
26	10090929-*26*XLF	UNC #4-40
44	10090929-*44*XLF	UNC #4-40

POS.	A	B	C	D	E
15	30.81	24.99	16.33	2.29	19.10
26	39.24	33.32	24.66	2.29	27.75
44	53.04	47.04	38.38	2.29	41.30

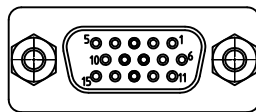
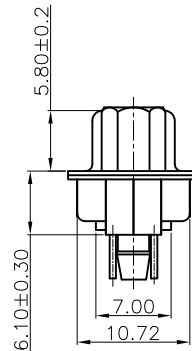
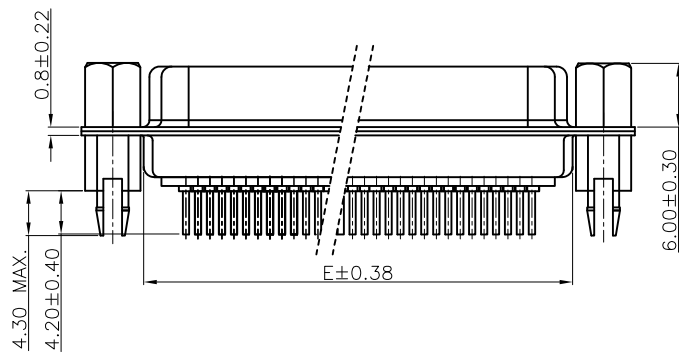
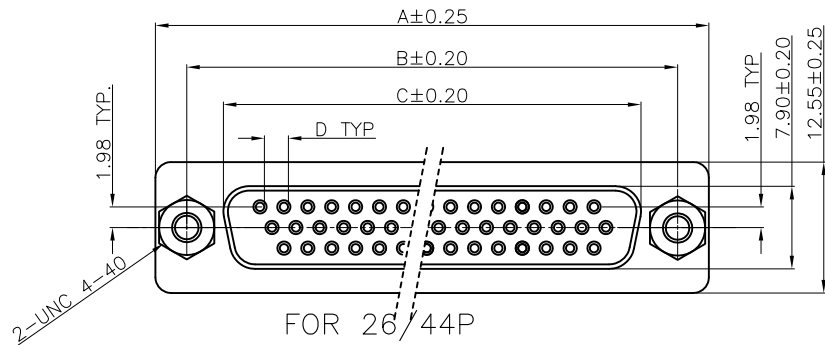


FOR 26/44P



FOR 15P

mat'l. code		surface		tolerance		projection		product family			
-		ISO 1302 ✓		ISO 406 ISO 1101		⊕		D-SUB			
ltr		ecn no	dr	date	tolerances unless otherwise specified		title		H/D D-SUB FEMALE STRAIGHT		
A	T09-1156	JH	12/10/09	angles	.0±0.38		MM				
B	T10-0164	JH	10/19/10	linear	.00±0.25						
C	ELX-I-15500	AB	2013/08/21	0'±2'	.000±0.010		scale 2:1				
D	ELX-I-18426	AB	2014/07/29	dr	JASON HSU 12/10/09		dwg no		sheet 1 of 3 size		
E	ELX-I-20972	AB	2015/05/30	engr	MITHUN PAUL 2016/04/27		10090929		A3		
F	ELX-I-24092	MP	2016/05/13	chr	GREGAR MATHEW 2016/04/27		type		Product Customer Drawing		
sheet		revision	F	F	F	F					
index		sheet	1	2	3						



FOR 15P

REMARK:

1. CHARACTERISTICS:

RATED VOLTAGE: 250V
 RATED CURRENT: 2.5AMP
 CONTACT RESISTANCE: 25mohms MAX. INITIAL,
 40mohms MAX. AFTER.

INSULATION RESISTANCE: 5000Mohms MIN. at 500V DC
 DIELECTRIC STRENGTH: 750VRMS
 OPERATING TEMPERATURE RANGE: -55° C~105° C
 INSERTION/EXTRACTION FORCE PER CONTACT: 5N Max./0.2N Min.
 MATING/UNMATING CYCLES: 200MATINGS MIN FOR GOLD-FLASH
 500MATINGS MIN FOR 30u" GOLD.

2. MATERIAL:

INSULATORS: THERMOPLASTIC G.F(UL94V-0) BLACK
 CONTACTS: COPPER ALLOY, GOLD(G/F or 30u") TOP OVER CONTACT
 AREA, 100u" Min MATTE TIN TOP OVER SOLDER AREA,
 50u" Min NICKEL UNDER PLATE.
 SHELL: CARBON STEEL, 100u" Min NICKEL TOP OVER,
 50u" Min COPPER UNDER PLATE.
 HARPOON: COPPER ALLOY, 100u" Min MATTE TIN PLATED.
 NUT: COPPER ALLOY, 50u" Min NICKEL PLATED.

3. Type II Insulator will withstand exposure to 260° C peak temperature for 10 seconds maximum in a wave soldering application

4. PART NUMBER DESCRIPTION:

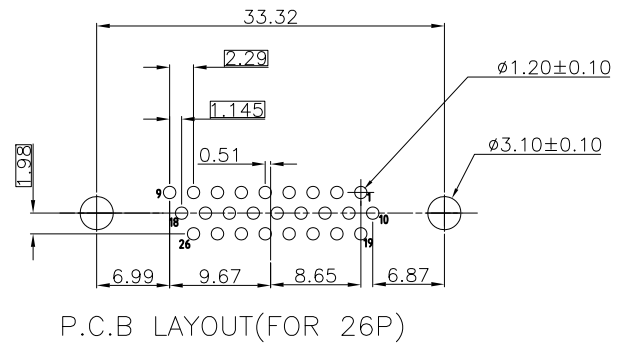
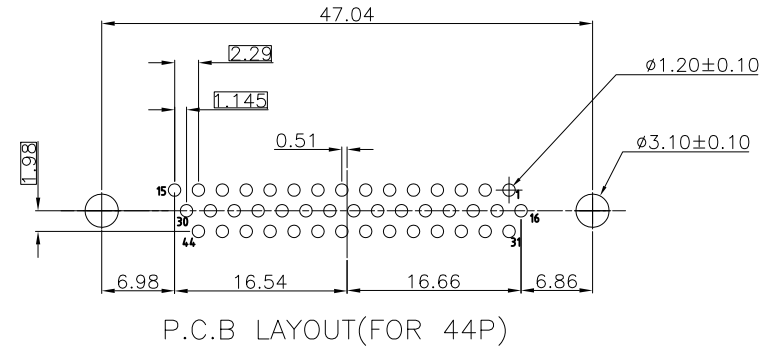
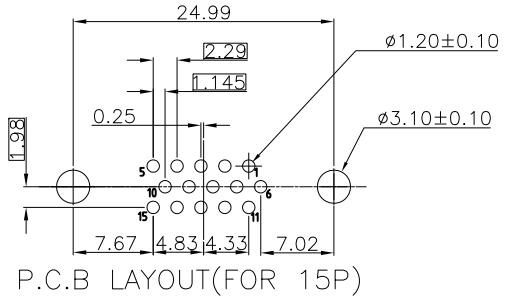
10090929-S XX X V LF
 SERIES NO. _____
 TYPE _____
 S: SOCKET (FEMALE)
 H: SOCKET PART (FEMALE)
 (See Note 3)
 NUMBER OF CONTACTS _____
 15: 15-PIN
 26: 26-PIN
 44: 44-PIN
 LF: ROHS COMPLIANT
 FLANGE MOUNTING OPTION
 V: UNC #4-40 SCREWSLOCKS
 CONTACT FINISH
 4: FLASH GOLD
 6: 30u" GOLD

POS.	A	B	C	D	E
15	30.81	24.99	16.33	2.29	19.10
26	39.24	33.32	24.66	2.29	27.75
44	53.04	47.04	38.38	2.29	41.30

mat'l. code		surface		tolerance		projection		product family	
-		ISO 1302		ISO 406 ISO 1101		D-SUB		D-SUB	
ltr		ecn no		dr		date		title	
F								H/D D-SUB FEMALE STRAIGHT	
		angles		linear		MM			
		0±2'		.0±0.38		scale 2:1			
				.00±0.25					
				.000±0.010					
		dr		JASON HSU		12/10/09		dwg no	
		engr		MITHUN PAUL		2016/04/27		sheet 2 of 3	
		chr		GREGAR MATHEW		2016/04/27		size	
		appd		BIJU K PAUL		2016/04/27		A3	
sheet		revision						type	
index		sheet						Product Customer Drawing	

Amphenol FCI

© 2016 AFCE



mat'l. code		-		surface	ISO 1302	tolerance	ISO 406	ISO 1101	projection	product family	
ltr		ecn no	dr	date		tolerances unless otherwise specified				D-SUB	
F						angles	.0±0.38		MM	title	
						linear	.00±0.25			H/D D-SUB FEMALE STRAIGHT	
						0'±2'	.000±0.010		scale 2:1	dwg no	
						dr	JASON HSU	12/10/09	Amphenol FCI	sheet 3 of 3	
						engr	MITHUN PAUL	2016/04/27		10090929	
						chr	GREGAR MATHEW	2016/04/27		A3	
						appd	BIJU K PAUL	2016/04/27		type Product Customer Drawing	
sheet index	revision sheet										

Mouser Electronics

Authorized Distributor

Click to View Pricing, Inventory, Delivery & Lifecycle Information:

[FCI / Amphenol:](#)

[10090929-S154LLF](#) [10090929-S154VLF](#) [10090929-S154XLF](#) [10090929-S156LLF](#) [10090929-S156VLF](#) [10090929-S156XLF](#) [10090929-S264LLF](#) [10090929-S264VLF](#) [10090929-S264XLF](#) [10090929-S266LLF](#) [10090929-S266VLF](#) [10090929-S266XLF](#) [10090929-S444LLF](#) [10090929-S444VLF](#) [10090929-S444XLF](#) [10090929-S446LLF](#) [10090929-S446VLF](#) [10090929-S446XLF](#) [10090929-S624LLF](#) [10090929-S624VLF](#) [10090929-S624XLF](#) [10090929-S626LLF](#) [10090929-S626VLF](#) [10090929-S626XLF](#) [10090929-S784LLF](#) [10090929-S784VLF](#) [10090929-S784XLF](#) [10090929-S786LLF](#) [10090929-S786VLF](#) [10090929-S786XLF](#) [10090929-H154XLF](#) [10090929-H154VLF](#) [10090929-H264VLF](#) [10090929-H266VLF](#) [10090929-H446XLF](#)