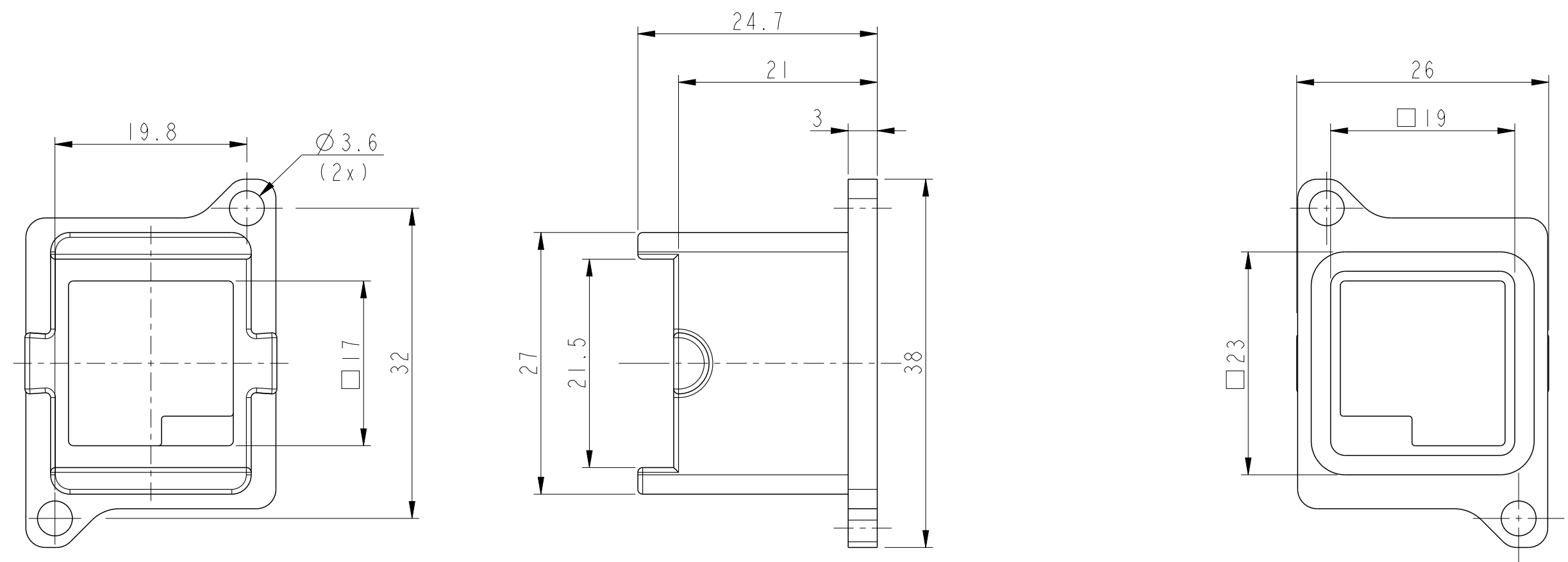
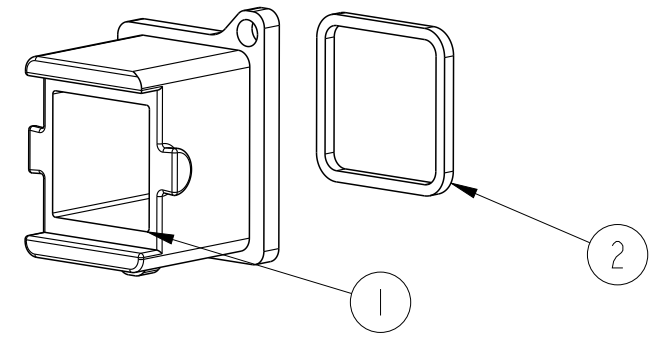


PART NUMBER
10141445-101LF

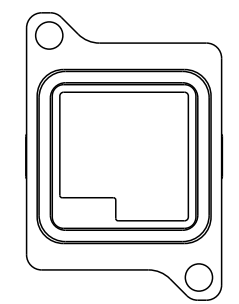
SL NO	DESCRIPTION	MATERIAL	PLATING
1	SCREWABLE RECEPTACLE BODY	ALUMINIUM	PASSIVATION
2	PANEL SEALING GASKET	SILICONE	-



NOTES :-

- PART WILL BE SUPPLIED ONLY IN ASSEMBLED FORM
- SCREWS TO BE USED ARE M3 X 6MM; MATERIAL-STAINLESS STEEL
- CASTED MOUNTING PANEL SHOULD HAVE ON ITS REAR SIDE AN INTEGRAL RECTANGULAR REINFORCED RIBS OF 3MM THICKNESS AND 4MM WIDTH ALONG THE MOUNTING SCREW PLANE AT THE TOP AND BOTTOM TO ACCOMODATE THE BLIND INTERNAL SCREW THREAD

PACKING CONFIGURATION
(ASSEMBLED FORM)



spec ref	dr	Jibin John	2016/12/03	projection	MM	size	A3	scale	1:1
tolerance std	eng	Jibin John	2016/12/19			ecn no	ELX-I-25689-1	rel level	Released
ISO 406 ISO 1101	chr	-	-						
surface	appr	Varna Sudhir	2016/12/19			rel level	Released	rev	B
ISO 1302	linear	0.X	±0.3	BULKHEAD (RECEPTACLE) FOR 3 POS, 4 POS POWER		dwg no	10141445	cat. no.	-
	angular	0°	±2°	OCTIS, 26MM PITCH		Product - Customer Drw	sheet 1 of 1		

Amphenol
FCi

© 2016 AFCI

Mouser Electronics

Authorized Distributor

Click to View Pricing, Inventory, Delivery & Lifecycle Information:

[FCI / Amphenol:](#)

[10141445-101LF](#)