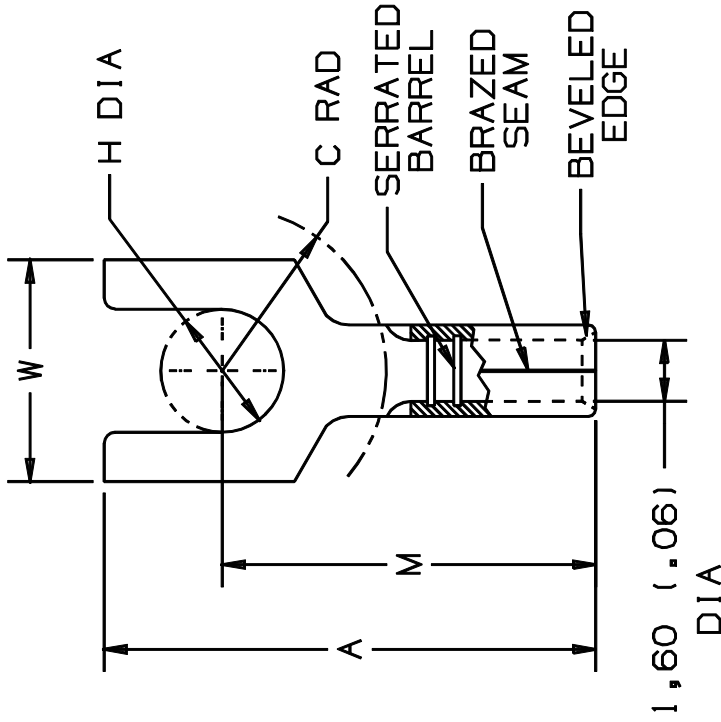


THIS COPY IS PROVIDED ON A RESTRICTED BASIS AND IS NOT TO BE USED IN ANY WAY DETRIMENTAL TO THE INTERESTS OF PANDUIT CORP.

PANDUIT PART #	STUD SIZE	DIMENSIONS mm				
		A $\pm 0.51$	W $\pm 0.25$	C $\pm 0.38$	M $\pm 0.51$	H $\pm 0.25$
PM1-3F	M3	16.00 (.63)	5.84 (.23)	5.59 (.22)	12.45 (.49)	3.30 (.13)
PM1-4F	M4	17.53 (.69)	8.13 (.32)	6.35 (.25)	13.46 (.53)	4.32 (.17)
PM1-5F	M5	18.03 (.71)	8.80 (.35)	6.60 (.26)	13.97 (.55)	5.08 (.20)
PM1-6F	M6	22.35 (.88)	11.18 (.44)	8.89 (.35)	16.00 (.63)	6.60 (.26)

NOTES:

- USED FOR:  
A. 0,5-1,5mm<sup>2</sup> (#22-18 AWG), SOLID OR STRANDED, COPPER WIRE
- MATERIAL:  
A. STAMPING - 0,81mm (.03) THK COPPER, TIN PLATED
- DIMENSIONS IN BRACKETS ARE IN INCHES
- PACKAGE QTY:  
A. STD: C=100  
B. BULK: M=1000
- WIRE STRIP LENGTH: 7,1  $\pm 0,8$  (9/32  $\pm 1/32$  -0)
- INSTALLATION TOOLS: REF. DWGS. A41522, A41523, A41524, A41525



A41427\_02

PANDUIT CORP.		TINLEY PARK, ILLINOIS												
NON-INSULATED METRIC FORK		0,5-1,5mm <sup>2</sup> BARREL												
REV	DATE	BY	CHK	DESCRIPTION	ECN #	CUST	PM	DRAWN BY	BDK	CHK'D	SCALE	NONE	DRAWING NO.	A41427
02	10/97	TM		CHANGED DECIMAL POINTS TO COMMAS										
01	1/97	TM	RLS	UPDATED DIMENSIONS FILESPEC WAS NPC_A41427_00	05478	LA	DH							
00	10/91	BK	RLS	RELEASED	00687	LA	KRS							