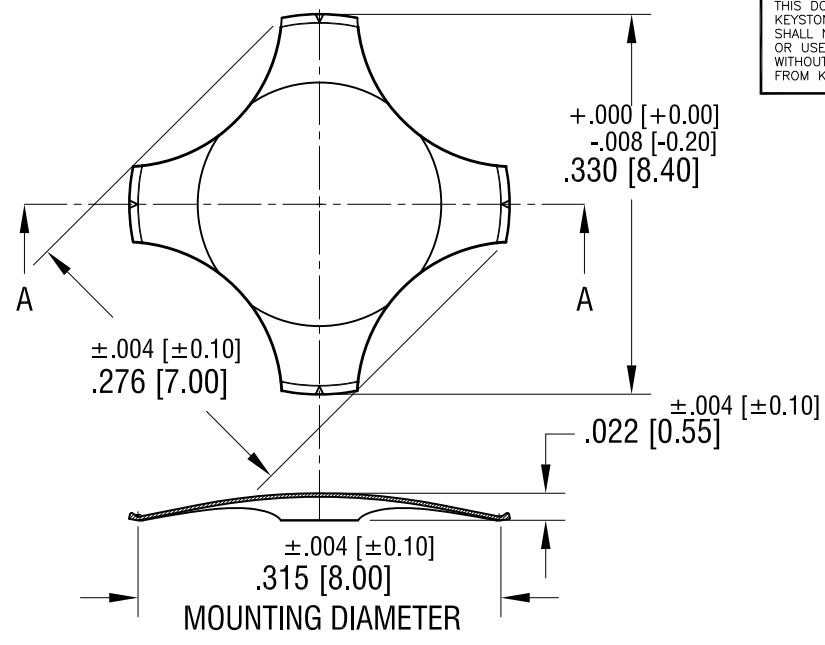
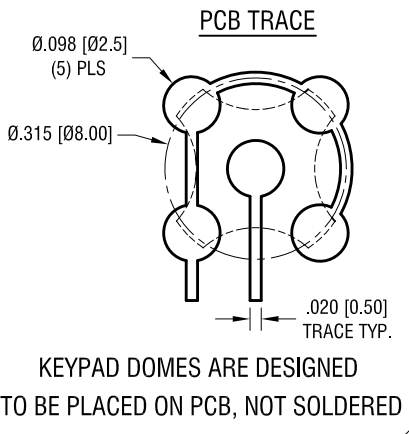
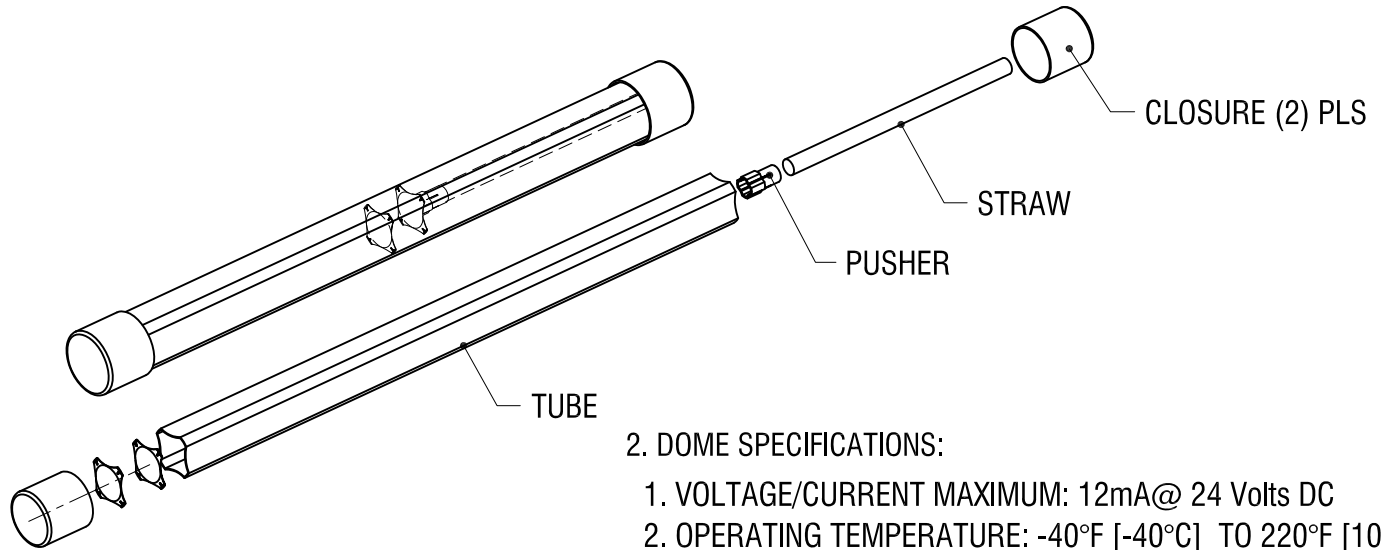


THIS DOCUMENT IS THE PROPERTY OF KEYSTONE ELECTRONICS CORP. AND SHALL NOT BE REPRODUCED, DISTRIBUTED OR USED AS A BASIS FOR MANUFACTURE WITHOUT PRIOR WRITTEN PERMISSION FROM KEYSTONE ELECTRONICS CORP.

ACTUAL SIZE



SECTION A-A



NOTES: SUPPLIED IN TUBES
 1. TUBE SPECIFICATIONS: 6.30 [160.00] LONG
 800 DOMES PER TUBE

2. DOME SPECIFICATIONS:
1. VOLTAGE/CURRENT MAXIMUM: 12mA@ 24 Volts DC
 2. OPERATING TEMPERATURE: -40°F [-40°C] TO 220°F [105°C]
 3. STORAGE TEMPERATURE: -65°F [-55°C] TO 250°F [125°C]
 4. MAT'L: .003 [0.08] STAINLESS STEEL
 5. FINISH: NICKEL PLATE
 6. TRIP FORCE: 340g

KEYSTONE ELECTRONICS CORP.			
www.keyelco.com • ASTORIA, N.Y. 11105-2017 • Tel (718) 956-8900			
PART NAME		MINI 4 LEG DOME	
MATERIAL		AS NOTED	
FINISH	AS NOTED	DRN BY	NT
		DATE	2.15.17
		APP'D	LN
		SCALE	6X; N/A
TOLERANCES	INCH [MM]	CODE	DWG NO.
DECIMAL	± .005 [± 0.13]	C	5135
ANGULAR	± 1°		
UNLESS OTHERWISE SPECIFIED			

DATE	DESCRIPTION	REV.	
------	-------------	------	--