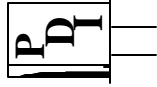
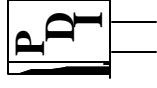


Precision Devices, Inc.



8840 N. Greenview Dr.
Middleton, WI 53562
Phone: 608-831-4445
1-800-274-XTAL
Fax: 608-831-3343



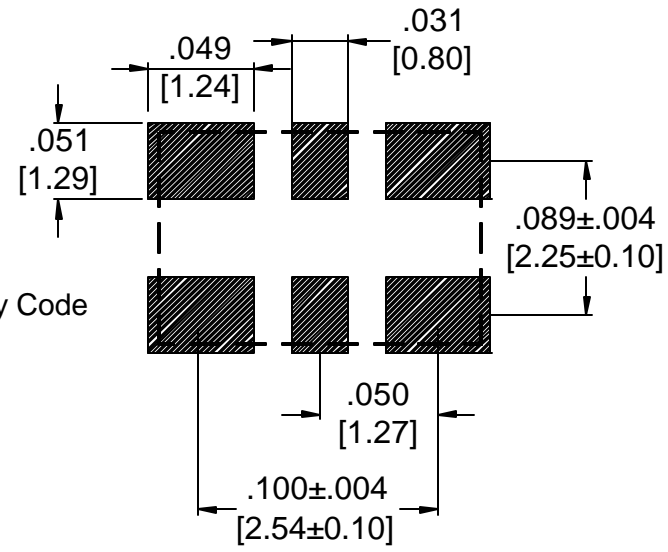
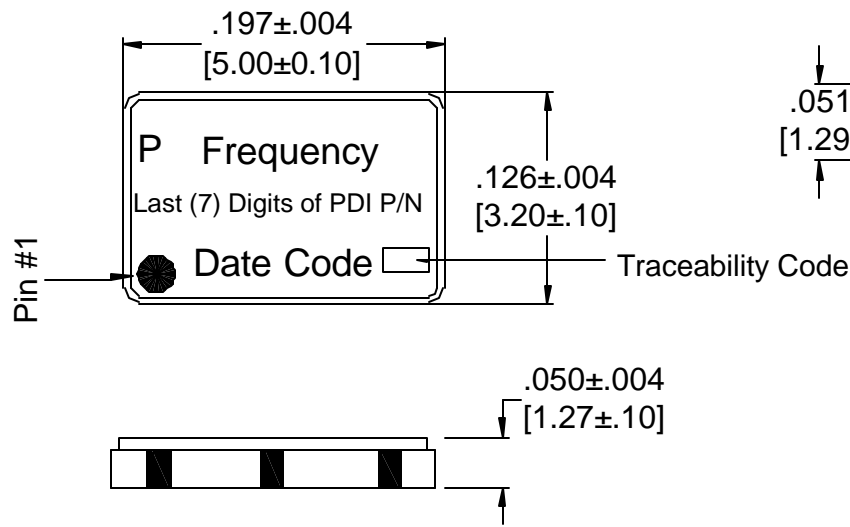
Visit our web site at www.pdixtal.com

Sales Information sales@pdixtal.com

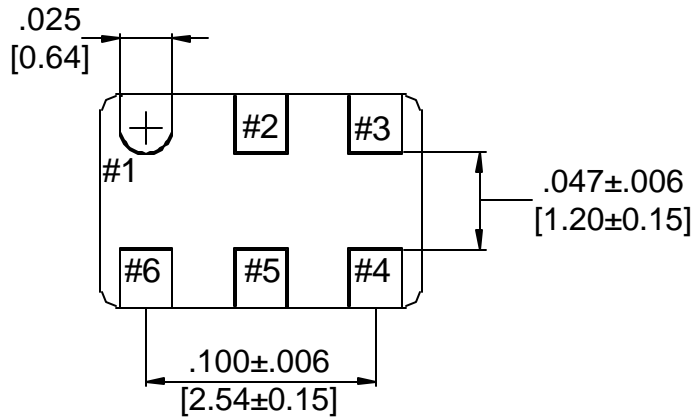
Electrical Specifications

- Center Frequency: 24.576000 MHz
- Output: HCMOS
- Frequency Stability: ± 50 ppm (Stability is inclusive of initial tolerance, operating temperature range, supply voltage change, load change, aging, shock and vibration)
- Absolute Pull Range: ± 50 ppm Minimum
- Operating Temperature Range: -20°C to $+70^{\circ}\text{C}$
- Storage Temperature Range: -55°C to $+125^{\circ}\text{C}$
- Supply Voltage: $+3.3\text{Vdc} \pm 5\%$
- Supply Current: 35mA Maximum
- Duty Cycle: 45/55% Maximum
- Rise/Fall Times: 5nS Maximum
- Start up Time: 10mS Maximum
- Output Load: 15pF
- Output Voltage: VOL: 10%Vdd Maximum
VOH: 90%Vdd Minimum
- Enable/Disable Time: 100nS Maximum
- Output Enable Voltage: 70% Vdd Minimum
- Output Disabled Voltage: 30% Vdd Maximum
- Control Voltage: 0V ~ 3.3V

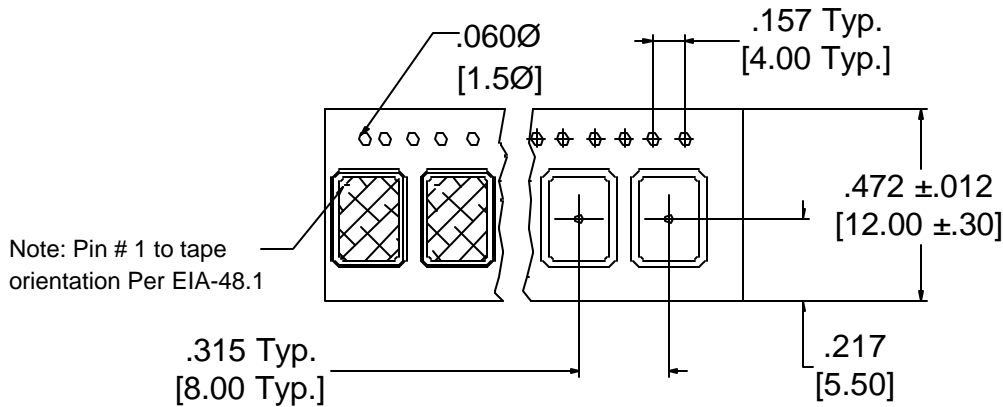
REV.	DATE	PAGE	DESCRIPTION	Auth.	ECN	FOR PRELIMINARY USE ONLY Specifications subject to change without notice.			
						TITLE	FKA		
						Ceramic SMD Crystal Oscillator		65675R	
						PART NUMBER VC0524576XHCBRX			
						DATE	SCALE	ECN.	REV.
						6/9/10	N.T.S.	N/A	N/A
						SIZE	CAGE	Page 1 of 2	
						A	0S4G1		



Recommended Land Pattern



Pin	Connections
1	Voltage Control
2	Enable/Disable
3	Ground
4	Output
5	No Connect
6	Vdd



Precision Devices Inc.

8840 N. Greenview Dr.
Middleton WI 53562
608-831-4445
1-800-274-XTAL

Manufacturer of Quartz Crystal Products

DECIMAL	DWG FILE	PART NUMBER	
XX=±.020 XXX=±.008	65675R	VC0524576XHCBRX	
METRIC	SCALE	FREQUENCY	DRAWN BY
XX=±.50 XXX=±.20	N.T.S.	24.576000 MHz	J.Lawinger
ANGULAR	DRAWING TYPE	DATE	
XX=±2°	Ceramic SMD Crystal Oscillator	6/9/10	
	REV. LEVEL	ECN NO.	CAGE CODE
	N/A	N/A	0S4G1