

SMD QUARTZ CRYSTAL OSCILLATOR
石英晶体振荡器

4 Pad Version 7.0x5.0 mm

- Excellent Reliability Performance
- Reflow soldering temperature: 260°C max
- Ceramic Seam Weld package



RoHS compliant

★ PARAMETERS
技术参数

PARAMETERS	参数	SPECIFICATION 规格
Frequency Range	频率范围	1.0000~125.000MHz, 32.768KHz
Frequency stability over all	频率偏差	±20ppm~±100ppm (see table 1)
Supply voltage	工作电压	+1.8Vdc、+2.5Vdc、+3.3Vdc、+5.0Vdc
Current consumption	工作电流	see table 2
Output	Rise& Fall Time	上升/下降时间
	Load	负载
	low level	“0”电平
	high level	“1”电平
Symmetry	占空比	45% ~ 55% typ. (40% ~ 60% max.) at 0.5×Vdc
Start-up time	起振时间	10mS max
Standby function	三态控制	Tri-state or not
phase jitter	相位抖动	12 kHz ~ 20.0 MHz < 1.0pS RMS
Operating Temp. Range:	工作温度范围	-10~+60°C to -40~+85°C
Storage Temp. Range:	储存温度范围	-40~+85°C

◎ All specification subject change without notice. 规格变化, 恕不另行通知。

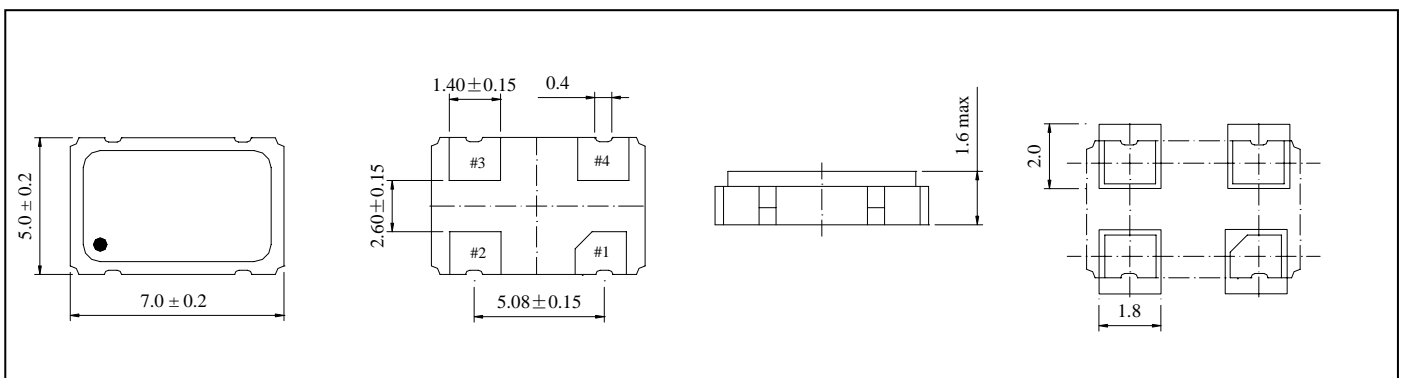
★ FREQUENCY STABILITY VS. TEMPERATURE 频率温度特性 Table 1

Operation Temperature Range	Frequency Stability			
	±20ppm	±30ppm	±50ppm	±100ppm
-10°C~+60°C	●	○	○	○
-20°C~+70°C	○	●	○	○
-40°C~+85°C			●	●

● standard ○ available

★ Rise & Fall TIME MAX. 上升/下降时间 Table 3

Frequency		Note
1.0-9.9 MHz	6nS max	rise time: 0.1 Vdc ~ 0.9 Vdc
10.0-39.9 MHz	5nS max	
40.0-69.9 MHz	4nS max	fall time: 0.9 Vdc ~ 0.1 Vdc
70.0-125.0 MHz	3nS max	

★ DIMENSIONS & LAND PATTERN LAYOUT (Unit: mm) 外形尺寸


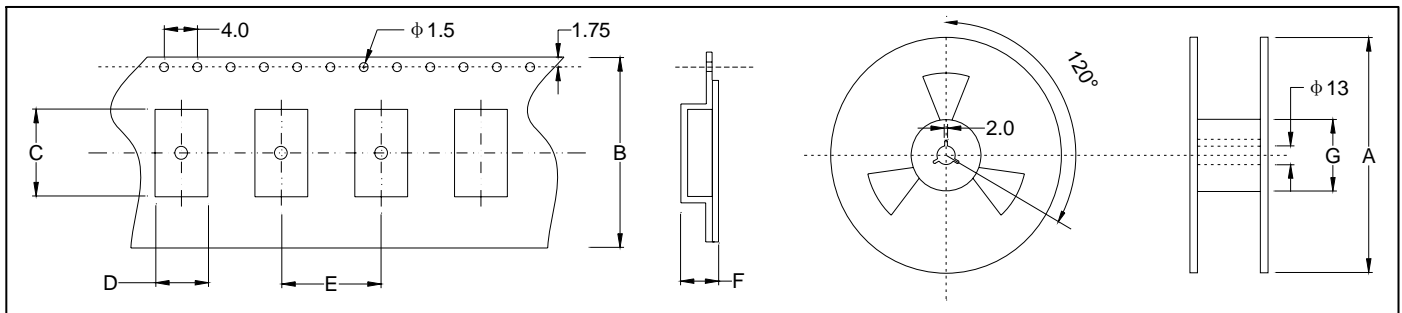
CURRENT CONSUMPTION 工作电流 Table 2

Vdc=5.0V				Vdc=3.3V			
15pF load		30pF load		15pF load		30pF load	
1.0 ~ 19.9 MHz	12mA	1.0 ~ 19.9 MHz	15mA	1.0 ~ 19.9 MHz	8mA	1.0 ~ 19.9 MHz	15mA
20.0 ~ 39.9 MHz	20mA	20.0 ~ 39.9 MHz	30mA	20.0 ~ 39.9 MHz	15mA	20.0 ~ 39.9 MHz	25mA
40.0 ~ 59.9 MHz	30mA	40.0 ~ 59.9 MHz	35mA	40.0 ~ 59.9 MHz	25mA	40.0 ~ 59.9 MHz	35mA
60.0 ~ 79.9 MHz	45mA	60.0 ~ 79.9 MHz	55mA	60.0 ~ 79.9 MHz	35mA	60.0 ~ 79.9 MHz	45mA
80.0 ~ 125.0 MHz	60mA			80.0 ~ 125.0 MHz	45mA		

★ PART NUMBER GUIDE 部件号示例 e.g. F012.000M3.3SM7 (*SM7=7.0 ×5.0 SMD TYPE)

	Quartz Crystal Oscillator 石英晶体振荡器	Frequency 频率 MHz	Supply voltage 工作电压	Package 盒型
FX	O	12.000M	3.3	SM7

★ TAPING SPECIFICATION (Unit: mm) 编带规格



	A	B	C	D	E	F	G
OSC-SMD7050	178±2.0	16.0±0.3	7.40±0.10	5.40±0.10	8.0±0.1	2.2±0.1	60.5±1.0
1000 pcs per reel							

★ REFLOW SOLDERING PROFILE 回流焊特性

