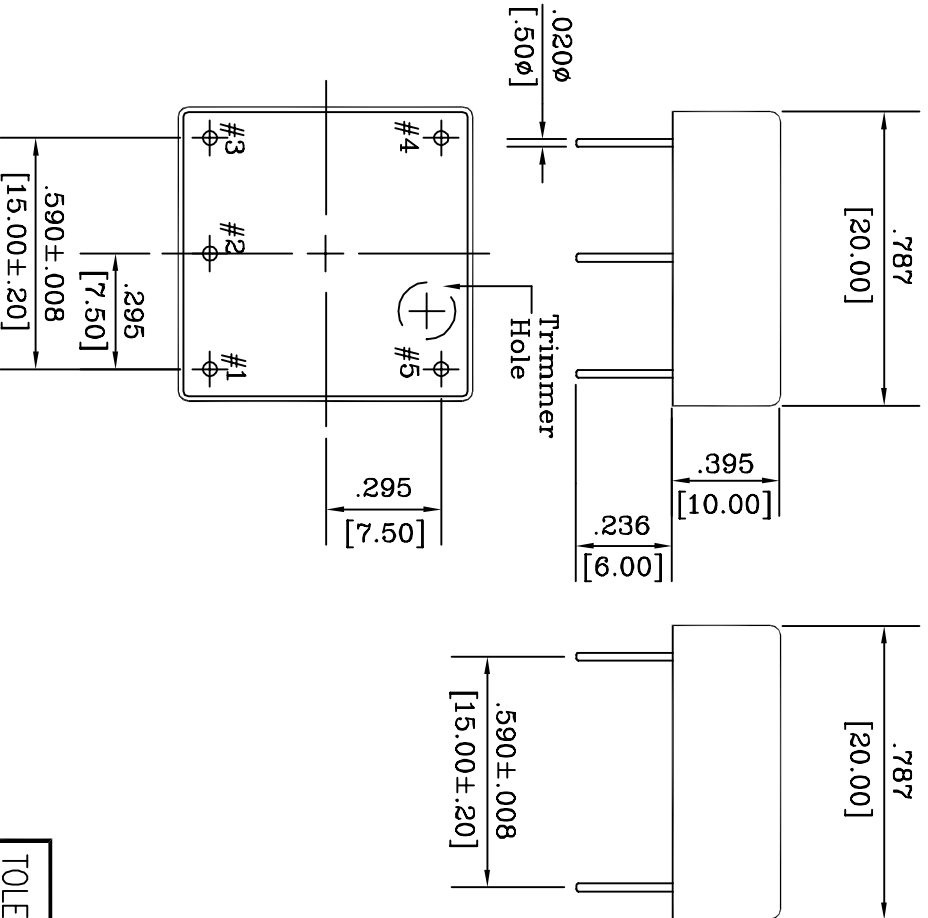


PDI Date Code  Traceability  
 Frequency  
 Last 7 Digits of PDI P/N

Traceability  
 Code



PIN	CONNECTION
1	Vec
2	Output
3	Ground
4	Ground
5	Ground

DATE	SYM	REVISION RECORD	AUTH.	DR.	CK.
10/02	A	Added Traceability Code to Marking			E0031
2/03	B	Corrected Logic Level			E0068

**ELECTRICAL SPECIFICATIONS:**

- Center Frequency: 32.768000 Mhz
- Frequency Stability:  
 vs. Temperature: ±2.0ppm (0°C to +70°C)  
 vs. Aging: ±1.0ppm per year at 25°C  
 vs. Supply Voltage: ±0.5ppm Max. for a 5% Change
- Operating Temperature Range: 0°C to +70°C
- Supply Voltage: +5.0Vdc±5%
- Supply Current: 10.0mA Max.
- Output Characteristics:  
 Output: HCMOS  
 Logic Levels: <than 0.40V and greater than 2.50V  
 Load Impedance: 20K Ohms//5.0pf
- Frequency Adjustment: ±5.0ppm min. via internal trimmer.

**PRECISION DEVICES INC.**

TOLERANCES (EXCEPT AS NOTED)	Tolerance: Decimal: ±.004 Metric: ±[.10]	SCALE N.T.S.	DRAWN BY	APPROVED BY
---------------------------------	------------------------------------------------	-----------------	----------	-------------

**TITLE**  
 Temperature Controlled Crystal Oscillator

DECIMAL +/-	DATE 2/21/03	DRAWING NUMBER TC23332768XHMAXX	(FKA 17297)
FRACTIONAL +/-			
ANGULAR +/-			