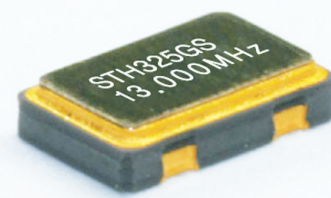


# CERAMIC SMD TYPE STH

- Temperature Compensated Crystal Oscillator
- Clipped Sinewave Output
- 3.0 supply voltage
- Surface mount package

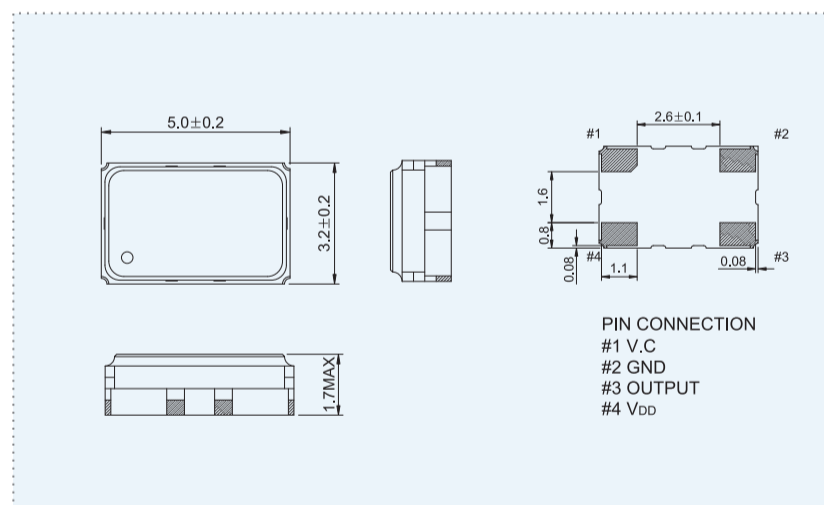


## ELECTRICAL SPECIFICATIONS

	CLIPPED SINEWAVE
Frequency Range	12.000 to 26.000MHz
Operating Temperature Range	0°C ~ + 50°C to -40°C ~ 85°C
Storage Temperature Range	-55°C ~ 125°C
Frequency / Stability Vs. Operating Temperature Range Vs. Input Voltage (±5%) Vs. Load(±10%) Vs. Aging	See Table 2 ±0.3ppm max. ±0.3ppm max. ±1.0ppm max.
Supply Voltage(V <sub>DD</sub> )	3.3V to 5.0V
Input Current	2mA to 5mA
Output Level	0.8Vp-p(V <sub>DD</sub> 3.3V), 1.0Vp-p(V <sub>DD</sub> :5.0V)
Load Drive Capability	10kΩ // 10pF
Frequency Deviation	±5ppm or ±10ppm minimum Over Control Voltage

## MECHANICAL DIMENSIONS

(mm)



## LAND PATTERN

(mm)

