

6

5

4

3

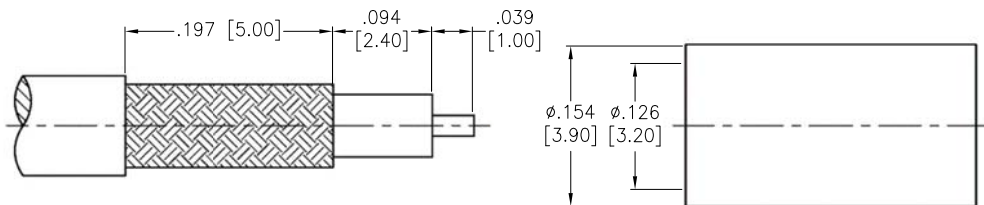
2

1

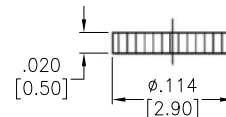
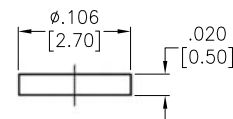
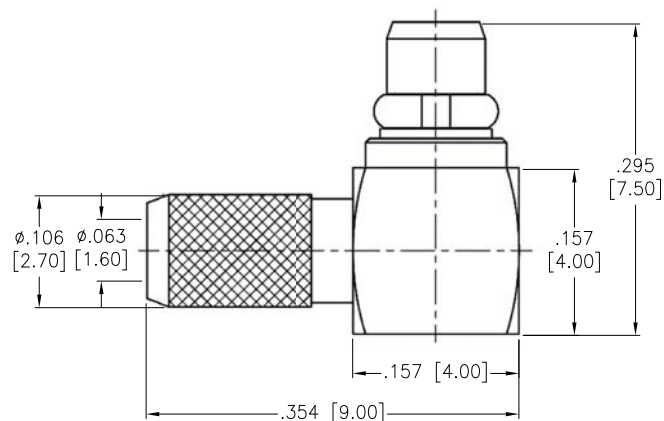
APPROVED: _____

DATE: _____ TITLE: _____

Rev	AWO #	Description	Date	Appr
-		RELEASED	10/2/15	



RECOMMENDED
CABLE STRIPPING DIM'S



FERRULE	BRASS	GOLD
COVER	BRASS	GOLD
INSULATOR	POM	NATURAL
CONTACT PIN	BRASS	GOLD
RING	BERYLLIUM COPPER	GOLD
BODY	BRASS	GOLD
INSULATOR	PTFE	WHITE
BARREL	BRASS	GOLD
DESCRIPTION	MATERIAL	FINISH

SPECIFICATIONS:

Electrical:

Frequency Range: DC-6 GHz
 Normal Impedance: 50 ohm
 Operating voltage: 170 VOLTS max.
 Proof voltage: 500 VOLTS
 VSWR: 1.3 max. @ 3 GHz

Temperature Rating:

Operating temperature: -55°C to +155°C

Environmental:

Lead free, RoHS compliant.



UNLESS OTHERWISE SPECIFIED
 ALL DIMENSIONS ARE INCHES [MM]
 TOLERANCES: EXCEPT AS NOTED
 INCHES HOLES
 .X ± .10 Ø.X ± .10
 .XX ± .020 Ø.XX ± .015
 .XXX ± .015 Ø.XXX ± .010

ADAM TECH

909 Rahway Avenue, Union, NJ 07083
 Phone: 908-687-5000 Fax: 908-687-5710

TITLE: RF CONNECTOR, TYPE MMCX, PLUG, R/A
 50 OHM, RG-174/U, 316/U, LMR-100

APPROVALS		DATE
DRAWN	AY	10/2/15
CHECKED	TW	10/2/15
APPROVED		

SIZE X	PART NO. RF12-08B-T-02-50-G	REV. -
REF: S00277T	SCALE: NTS	SHEET 1 OF 1

6

5

4

3

2

1