

**Technical specification/
Technische Daten:**

Working voltage/ Betriebsspannung:	125 V AC
Insulation resistance/ Isolationswiderstand:	$\geq 5 \text{ G}\Omega$
Dielectric withstanding voltage/ Spannungsfestigkeit:	1000 V, 50 Hz, 1 min.
Temperature range/ Temperaturbereich:	- 55 °C ... + 125 °C
Current rating/ Strombelastbarkeit:	7,5 A (UL) / 5 A (CSA, VDE)
Mating cycles/ Steckzyklen:	Quality class 1 = 500 Gütestufe 1 Quality class 2 = 200 Gütestufe 2 Quality class 3 = 50 Gütestufe 3

**Materials/
Werkstoffe:**

Contact/ Kontakt:	Cu alloy, Au over Ni
Insulator/ Isolierkörper:	PBT GF UL 94 V-0
Shell/ Gehäuse:	Steel, Sn over Ni
Metal bracket/ Metallwinkel:	GD-Zn, Cu / Ni / Sn
Threaded insert/ Gewindeeinsatz:	Cu alloy, Sn over Ni
Fixing plate/ Zentrierplatte:	PBT GF UL 94 V-0

**Installation specification/
Montagedaten:**

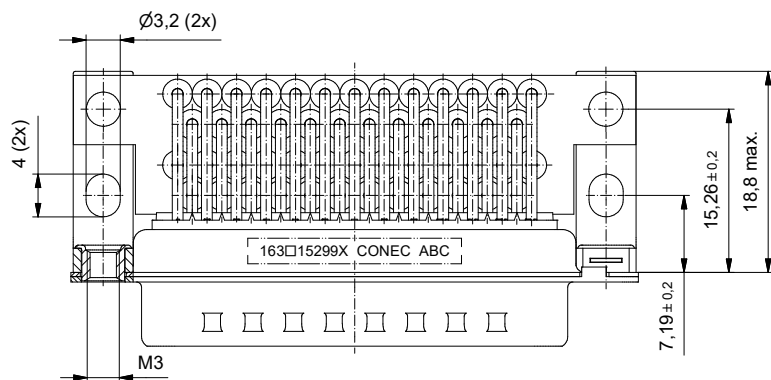
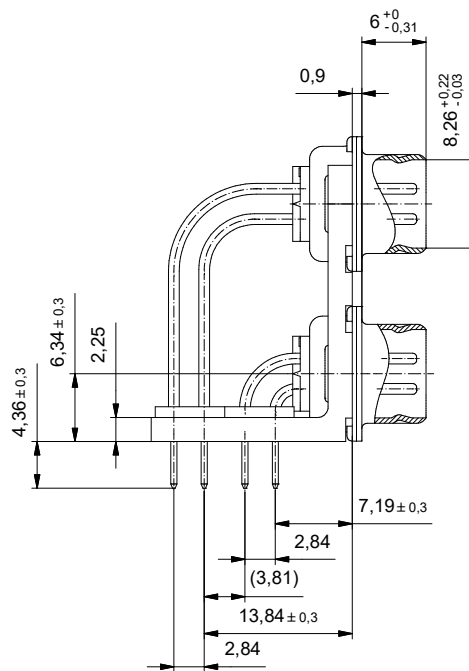
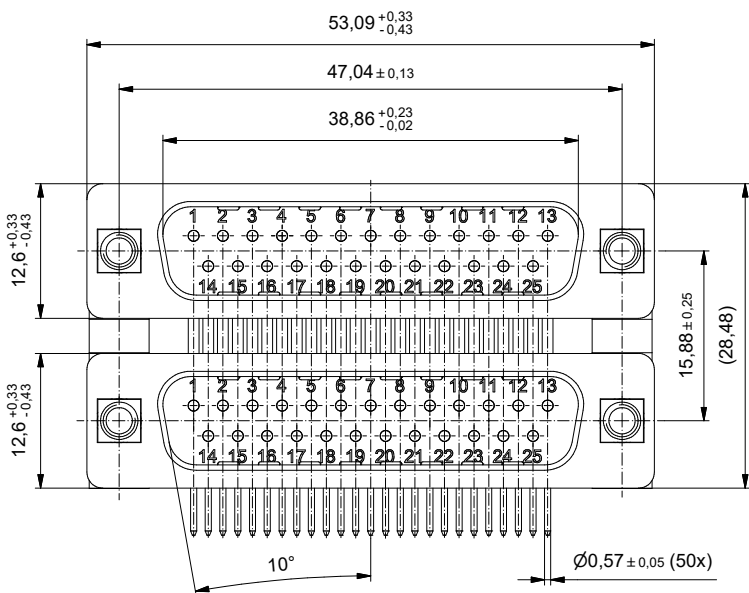
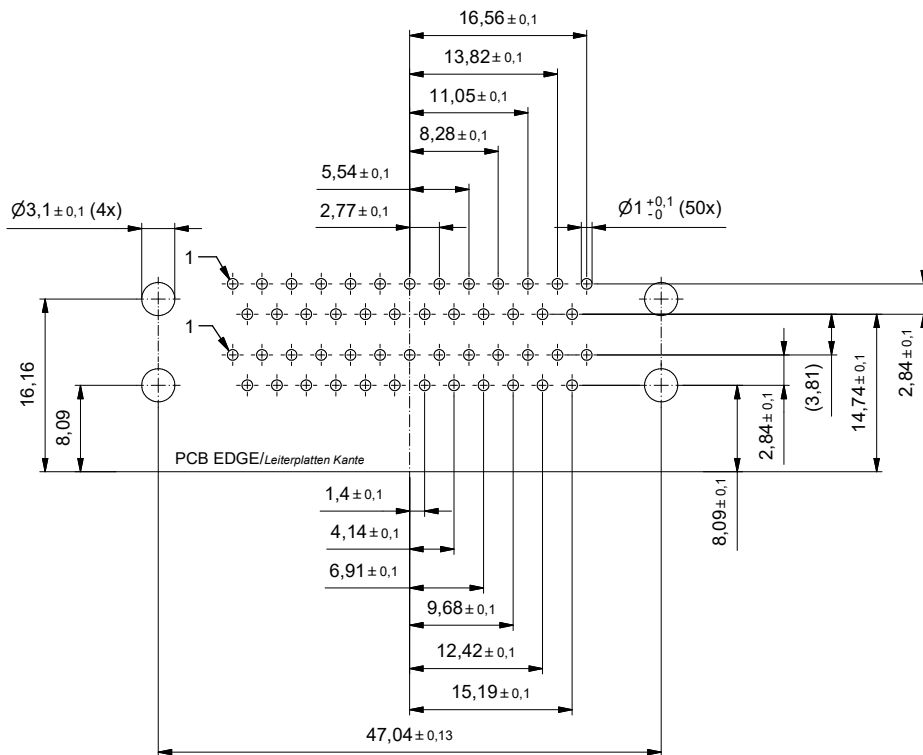
Recommended torque value for thread/ Empfohlenes Drehmoment für Gewinde:	max. 6 in.LB/ max. 67 Ncm
PCB hole drillings/ Leiterplattenbohrbild:	see sheet 2/ siehe Seite 2

Part no. / Part marked/ Art.-Nr. / Bedruckung:	Quality class/ Gütestufe:	Contact plating/ Kontakt Veredelung:
163A15299X	3	Gold flash over nickel Gold über Nickel
163B15299X	2	20 µm hard gold over min. 50 µm nickel 20 µm Gold über min. 50 µm Nickel
163C15299X	1	30 µm hard gold over min. 50 µm nickel 30 µm Gold über min. 50 µm Nickel

		D-SUB DUAL PORT 15.88mm 25pos. Male / 25pos. Male with threaded insert, metal bracket and fixing plate D-SUB DUAL PORT 15.88mm 25pol. Stift / 25pol. Stift mit Gewindeeinsatz, Metallwinkel und Zentrierplatte	
Index: a Original	Scale/ Maßstab: 2:1		dwg no / Z.-nr.: 16K1A4178
Status: InBearbeitung			DIN-A3
RoHS compliant/ konform			1 / 2

This reproduction, distribution and utilization of this document as well as the communication of its contents to others without express authorization is prohibited. Offenders will be held liable for the payment of damages. We reserve every right. It is allowed to make copies for private use only. In order to avoid any liability, we assume no responsibility for errors or omissions in the content of this document.

PCB hole drillings
(PCB top side)
Leiterplattenbohrbild
(Leiterplatten Oberseite)



		dim. in mm		D-SUB DUAL PORT 15.88mm 25pos. Male / 25pos. Male with threaded insert, metal bracket and fixing plate	
		Date/Datum	Name	D-SUB DUAL PORT 15.88mm 25pol. Stift / 25pol. Stift mit Gewindeeinsatz, Metallwinkel und Zentrierplatte	
drawn/gez.	22.10.2019	Lehmenkühler			
appd./gepr.	22.10.2019	Schmidt			
Index:	a Original	scale/ Maßstab:	2:1	dwg no / Z.-nr.:	16K1A4178
Status:	InBearbeitung	CONEC		DIN-	A3
RoHS compliant/ konform					2 / 2

This reproduction, distribution and utilization of this document as well as the communication of its contents to others without express authorization is prohibited. Offenders will be held liable for the payment of damages. For further information on our copyright policies please contact our legal department (mailto:reproduction@arrow.com). Downloaded from Arrow.com