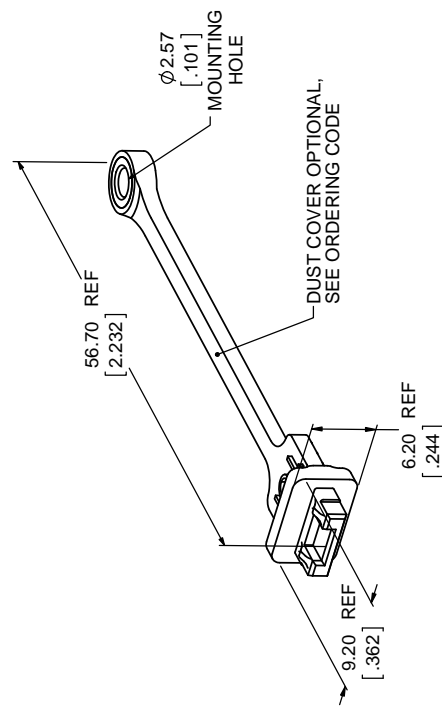
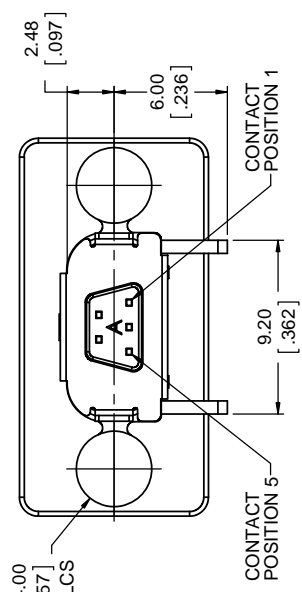
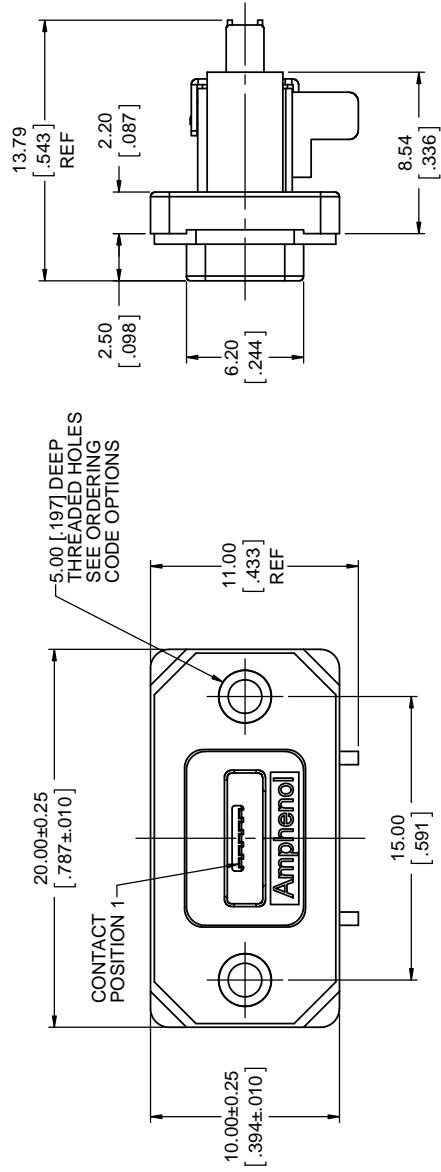
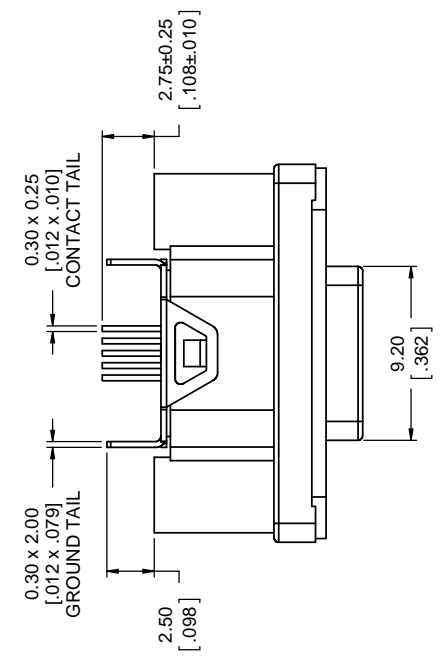
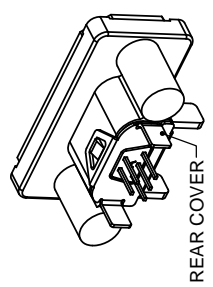
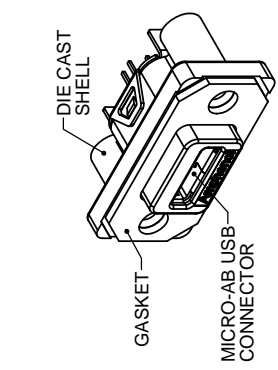


REV	DESCRIPTION, ECN, EAR NO.	DATE	APP'D
B	PROPOSAL DRAWING (EAR 14355)	MAR26/15	K.L.
C	PRODUCT DRAWING (EAR 14355)	MAY12/15	K.L.

ORDERING CODE: MUSB-K552-XX

- SERIES, RUGGED USB
- USB 'MICRO-AB' RECEPTACLE, SINGLE PORT, VERTICAL PCB TAILS
- THREAD OPTION
3= #2-56 UNC THREAD
M= M2.5 X 0.45 THREAD
- DUST COVER OPTION
0=NO DUST COVER SUPPLIED
1=WITH GREY DUST COVER SUPPLIED
5=WITH BLACK DUST COVER SUPPLIED

SPECIAL CONNECTORS:
MANY UNIQUE FEATURES ARE READILY AVAILABLE TO SUIT CUSTOMER REQUIREMENTS. CONSULT WITH AMPHENOL CANADA FOR DETAILS.



NOTES:

1. MATERIAL: ALL MATERIALS ARE RoHS COMPLIANT PER EU DIRECTIVE 2011/65/EU AND AMENDMENTS
 - OUTER SHELL: DIE CAST ZINC ALLOY, NICKEL PLATED
 - CONTACTS: COPPER ALLOY, PLATED WITH 0.76µm [30µ"] GOLD OVER 1.27µm [50µ"] MINIMUM NICKEL ON THE MATING AREA WITH MATTE TIN OVER NICKEL ON THE TAILS
 - USB HOUSING: ENGINEERING THERMOPLASTIC, FLAMMABILITY RATING UL94V-0, GREY
 - USB SHELL: STAINLESS STEEL PASSIVATED
 - REAR SHIELD: STAINLESS STEEL PLATED WITH MATTE TIN OVER NICKEL
 - PANEL GASKET: PORON, BLACK
2. ENVIRONMENTAL PERFORMANCE PER IEC 60529 CODE IP67 FOR SEAL BETWEEN MATING AREA AND PCB SIDE OF CONNECTOR. GASKET PROVIDES SEAL TO INSIDE FACE OF ENCLOSURE PANEL. AVAILABLE DUST COVER PROVIDES ADDED PROTECTION.
3. ELECTRICAL REQUIREMENTS
 - CURRENT RATING: 1 A FOR SIGNAL POSITIONS 2, 3 & 4 OR 1.8 A FOR POWER POSITIONS 1 & 5 WITH 0.5 A ON SIGNAL LINES.
 - CONTACT RESISTANCE: 30 MILLIOHMS MAXIMUM.
4. OPERATING TEMPERATURE: -40°C TO +105°C.
5. DUST COVERS MAY BE ORDERED SEPARATELY. SPECIFY
 - PART NUMBER MUSB-2K15-005BP FOR GREY DUST COVER
 - PART NUMBER MUSB-2K15-015BP FOR BLACK DUST COVER



UNLESS SPECIFIED OTHERWISE	DRAWN	B. COPPING	MAR26/15
PRIMARY UNITS	CHECKED	K. LAMBIE	MAR26/15
SECONDARY UNITS	M.E. APP'D		
REFERENCE IN PARENTHESES	Q.A. APP'D		
GENERAL TOLERANCES	DWG APPR.		
1 DECIMAL PLACE	ENG. REL. NO.		
2 DECIMAL PLACE ±0.15	REF.	EAR 14355	
3 DECIMAL PLACES	THIRD PROJECTION		
ANGULAR DEGREES	DO NOT DRAWING		
Amphenol Canada Corp. www.amphenolcanada.com			
MUSB SERIES RUGGED MICRO-AB USB RECEPTACLE, VERTICAL MOUNT, PCB TAILS, THREAD & DUST COVER OPTIONS, RoHS COMPLIANT			
DWG. NO.		P-MUSB-K552-XX	
CODE ID. NO. 03554		DWG. SIZE: X	
SCALE: 5:1		SHEET 1 OF 2	

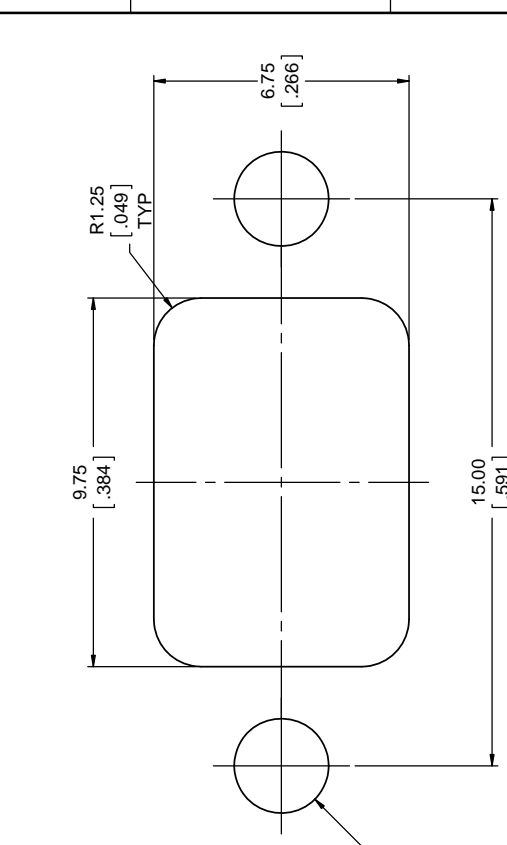
THIS DOCUMENT CONTAINS PROPRIETARY INFORMATION AND SUCH INFORMATION MAY NOT BE DISCLOSED TO OTHERS FOR ANY PURPOSE OR USED FOR MANUFACTURING PURPOSES WITHOUT WRITTEN PERMISSION FROM AMPHENOL CANADA CORP.

REV	DESCRIPTION, ECN, EAR NO.	DATE	APP'D
B	PROPOSAL DRAWING (EAR 14355)	MAR26/15	K.L.
C	PRODUCT DRAWING (EAR 14355)	MAY12/15	K.L.

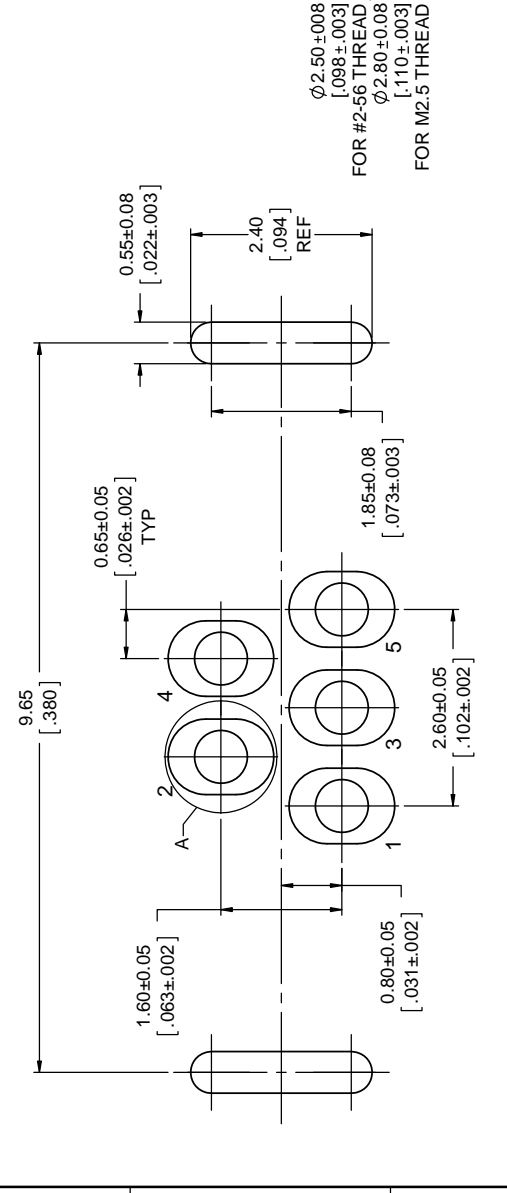
REVISIONS	
DESCRIPTION, ECN, EAR NO.	DATE
PROPOSAL DRAWING (EAR 14355)	MAR26/15
PRODUCT DRAWING (EAR 14355)	MAY12/15

UNLESS SPECIFIED OTHERWISE	DRAWN	B. COPPING	MAR26/15
PRIMARY UNITS MILLIMETERS	CHECKED	K. LAMBIE	MAR26/15
SECONDARY UNITS INCHES	M.E. APP'D		
REFERENCE IN PARENTHESES	Q.A. APP'D		
GENERAL TOLERANCES	DWG APPR.		
1 DECIMAL PLACE	ENG. REL. NO.		
2 DECIMAL PLACES ±0.15	REF.	EAR 14355	
3 DECIMAL PLACES	THIRD ANGLE PROJECTION		
ANGULAR DEGREES	DOC. NOT DRAWING		

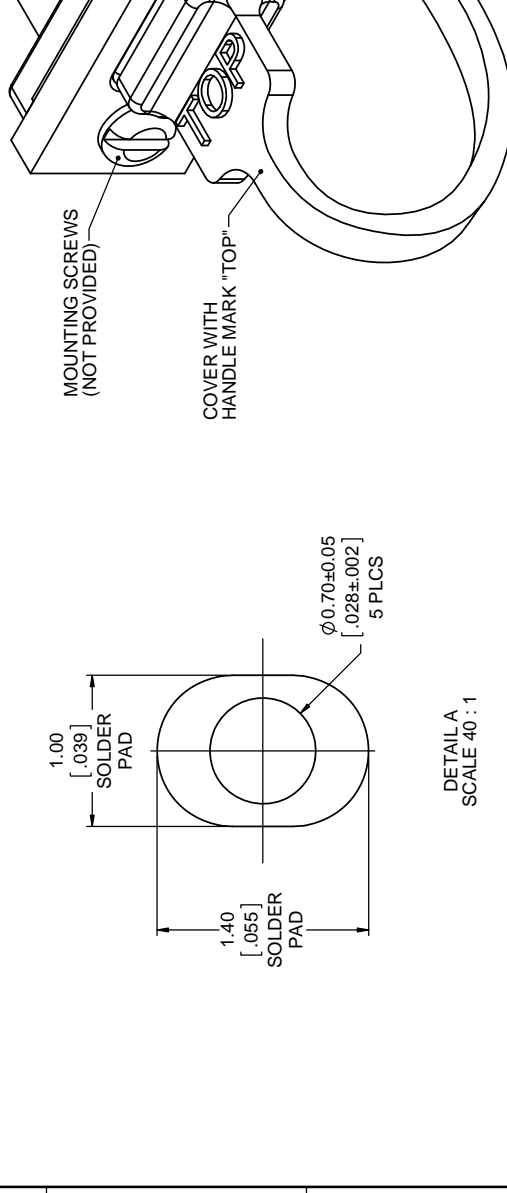
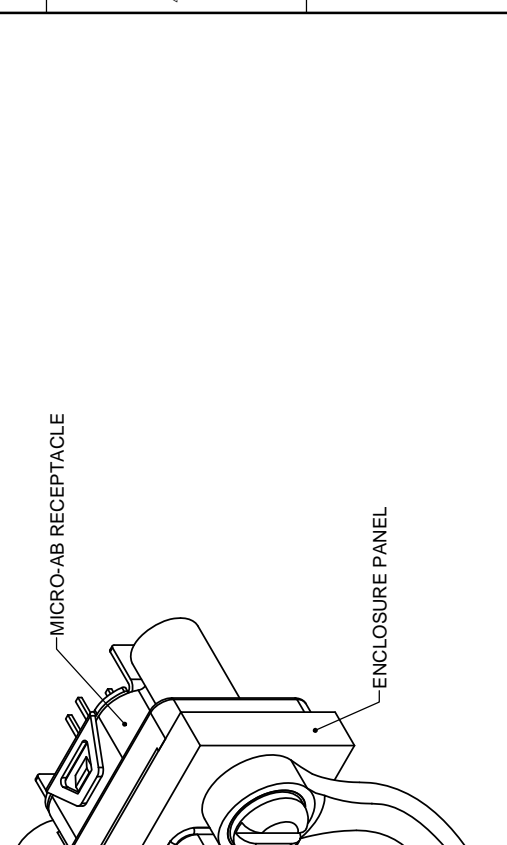
Downloaded from Arrow.com



RECOMMENDED PCB LAYOUT
COMPONENT SIDE OF BOARD



RECOMMENDED PANEL CUTOUT



DETAIL A
SCALE 40 : 1



DUST COVER APPLICATION

UNLESS SPECIFIED OTHERWISE		DRAWN	B. COPPING	MAR26/15
PRIMARY UNITS MILLIMETERS	CHECKED	K. LAMBIE	MAR26/15	
SECONDARY UNITS INCHES	M.E. APP'D			
REFERENCE IN PARENTHESES	Q.A. APP'D			
GENERAL TOLERANCES	DWG APPR.			
1 DECIMAL PLACE	ENG. REL. NO.			
2 DECIMAL PLACES ±0.15	REF.	EAR 14355		
3 DECIMAL PLACES	THIRD ANGLE PROJECTION			
ANGULAR DEGREES	DOC. NOT DRAWING			

Amphenol Canada Corp.
www.amphenolcanada.com

MUSB SERIES RUGGED MICRO-AB
USB RECEPTACLE, VERTICAL
MOUNT, PCB TAILS, THREAD & DUST
COVER OPTIONS, RoHS COMPLIANT

REV: **C**
DWG. NO.: **P-MUSB-K552-XX**
CODE ID. NO.: 03554 DWG. SIZE: X SCALE: 5:1 SHEET 2 OF 2

THIS DOCUMENT CONTAINS PROPRIETARY INFORMATION AND SUCH INFORMATION MAY NOT BE DISCLOSED TO OTHERS FOR ANY PURPOSE OR USED FOR MANUFACTURING PURPOSES WITHOUT WRITTEN PERMISSION FROM AMPHENOL CANADA CORP.