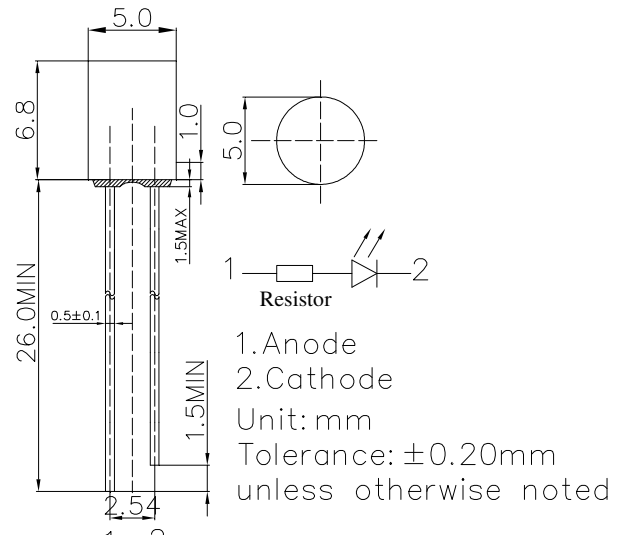


■ Features

- High Luminous LEDs
 - 5mm Flat Top Standard Directivity
 - UV Resistant Epoxy
 - Integral Current Limiting Resistor
 - TTL Compatible (Requires No External Current Limiter with 5Volt Supply)
 - Cost Effective (Saves Space and Resistor Cost)
 - Water Clear Type
- Applications**
- Status Indicators
 - Other Lighting

■ Outline Dimension

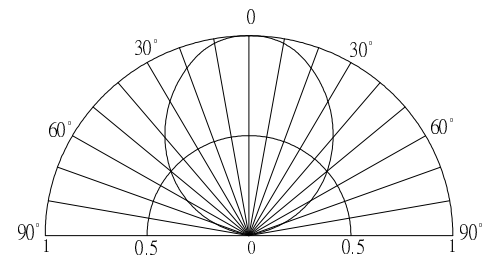


■ Absolute Maximum Rating

(Ta=25°C)

Item	Symbol	Value	Unit
DC Forward Voltage	V _F	7.5	V
Reverse Voltage	V _R	5	V
Power Dissipation	P _D	150	mW
Operating Temperature	T _{opr}	-30 ~ +85	°C
Storage Temperature	T _{stg}	-40~ +100	°C
Lead Soldering Temperature	T _{sol}	260°C/5sec	-

■ Directivity



■ Electrical -Optical Characteristics

(Ta=25°C)

Part Number	Color		I _F (mA)*			I _v (mcd)*			λD(nm)*			2θ1/2(deg)
			Min	Typ.	Max.	Min.	Typ.	Max.	Min.	Typ.	Max.	Typ.
			V _F =5V			V _F =5V						
OSW5DK5GA1B-5V	White	W	-	12	20	1120	1560	-	X=0.27, Y=0.28(CCT:8500-18000K)			100
OSM5DK5GA1B-5V	Warm White	M	-	12	20	750	1120	-	X=0.44, Y=0.41(CCT:2700-3300K)			100
OSB5SA5GA1B-5V	Blue	B	-	12	20	330	500	-	465	470	475	100
OSG5DA5GA1B-5V	Pure Green	G	-	12	20	750	1120	-	520	525	530	100
OSY5PA5GA1B-5V	Yellow	Y	-	12	20	500	750	-	585	590	595	100
OSO5PA5GA1B-5V	Orange	O	-	12	20	750	1120	-	600	605	610	100
OSR5PA5GA1B-5V	Red	R	-	12	20	500	750	-	620	625	630	100

*1 Tolerance of measurements of chromaticity coordinate is ±10%

*2 Tolerance of measurements of luminous intensity is ±15%

*3 Tolerance of measurements of dominant wavelength is +1nm