



MICRO SWITCH

FREERPORT, ILLINOIS, U.S.A.
A DIVISION OF HONEYWELL

FED. MFG. CODE 91929

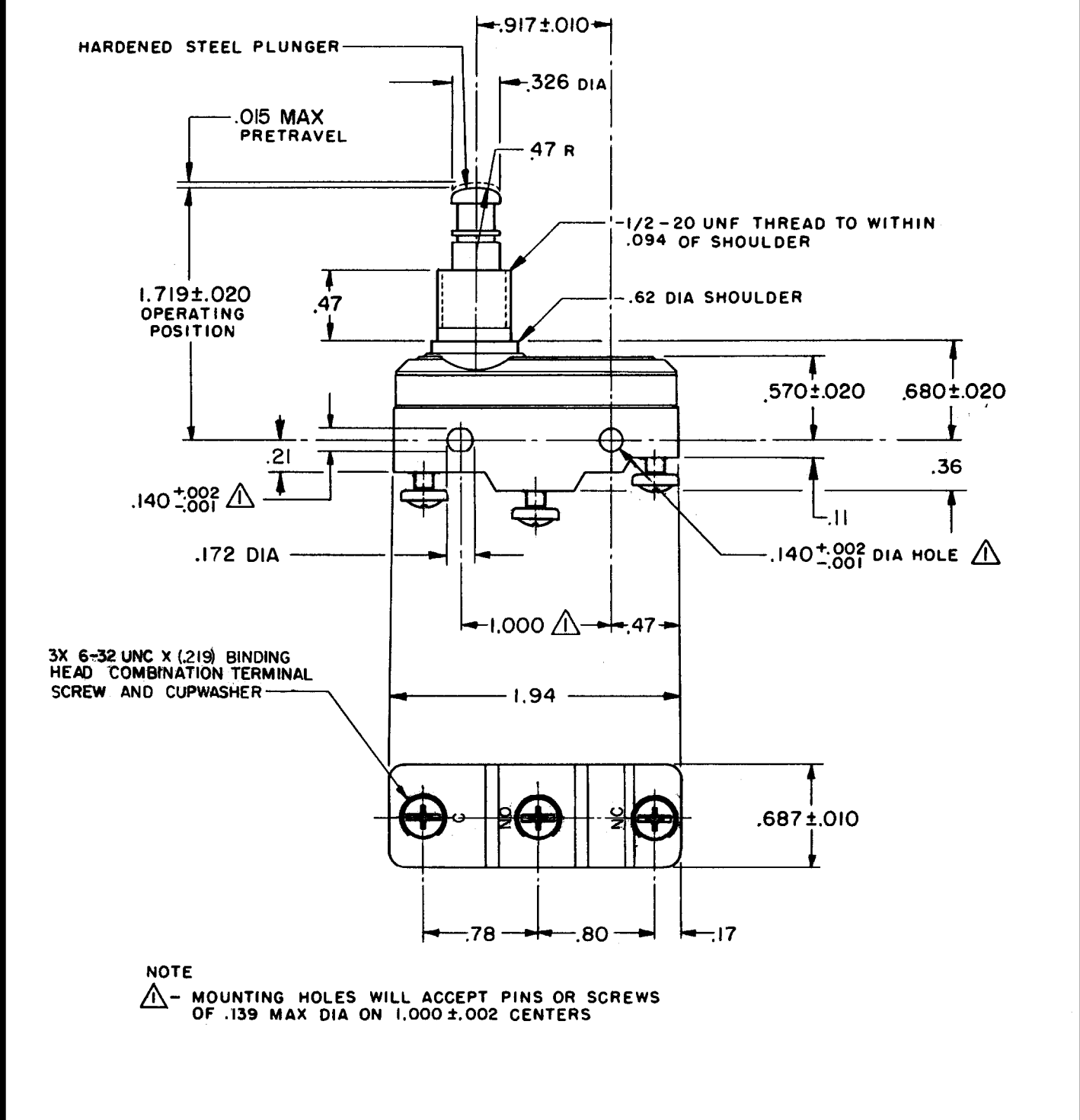
SWITCH - BASIC

CATALOG LISTING

BZ - 2RQ77

ALH8500 / JG08475

BZ-2RQ77
 PAGE 1 OF 1
 M
 DRAWING NUMBER
 ISSUE 9/10
 REVISIONS
 A CO17410 LLD 3 APR 64
 B CO30348 RER 21 MAR 72
 C CO38099 P 6 JUN 77
 D CO-73287-B DHD 17 MAY 93
 E CO-77592 DAW 15 AUG 94
 F CO93346 DLT 1 SEP 98
 G 204857 GJW FEB 02
 H 0015138 SPK 29 AUG 05
 LLD 3 APR 64
 DAW 4 APR 64
 CHECK 29 AUG 05
 CHECK 4 APR 64
 CHECK 29 AUG 05
 CHECK 4 APR 64
 CHECK 29 AUG 05
 RASTER
 DRAWN
 FO-90378



THIS DRAWING COVERS A PROPRIETARY ITEM AND IS THE PROPERTY OF MICRO SWITCH, A DIVISION OF MINNEAPOLIS-HONEYWELL REGULATOR CO. THIS DRAWING IS NOT TO BE COPIED OR USED WITHOUT THE APPROVAL OF MICRO SWITCH.

CHARACTERISTICS	
OPERATING FORCE	9-13 OZ
RELEASE FORCE	4 OZ MIN
DIFFERENTIAL TRAVEL	.0004 - .0020
OVERTRAVEL	.219 MIN

ELECTRICAL DATA	
CONTACT ARRANGEMENT S P D T	
15A - 125, 250 OR 480 VAC, 2A - 600 VAC	
-L74-	1/8HP - 125 VAC; 1/4HP - 250 VAC 1/2A - 125 VDC; 1/4A - 250 VDC
-L288-	EN05
-L306-	
-L315-	
16A 250V ~ T85 5E4	

SCALE FULL		
DO NOT SCALE PRINT		
UNLESS OTHERWISE NOTED		
DIMENSIONS ARE IN INCHES		
TOLERANCES ARE:		
ONE PLACE	(.0)	±.030
TWO PLACE	(.00)	±.015
THREE PLACE	(.000)	±.005
ANGLES		±
WEIGHT		