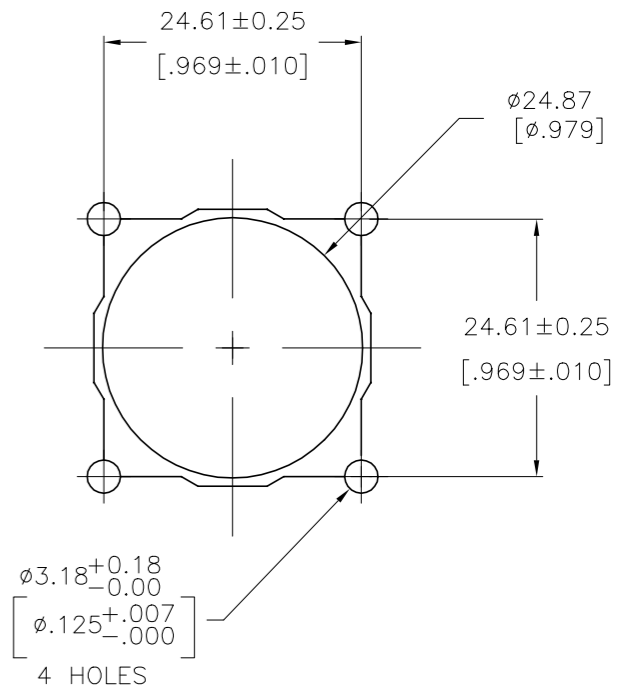
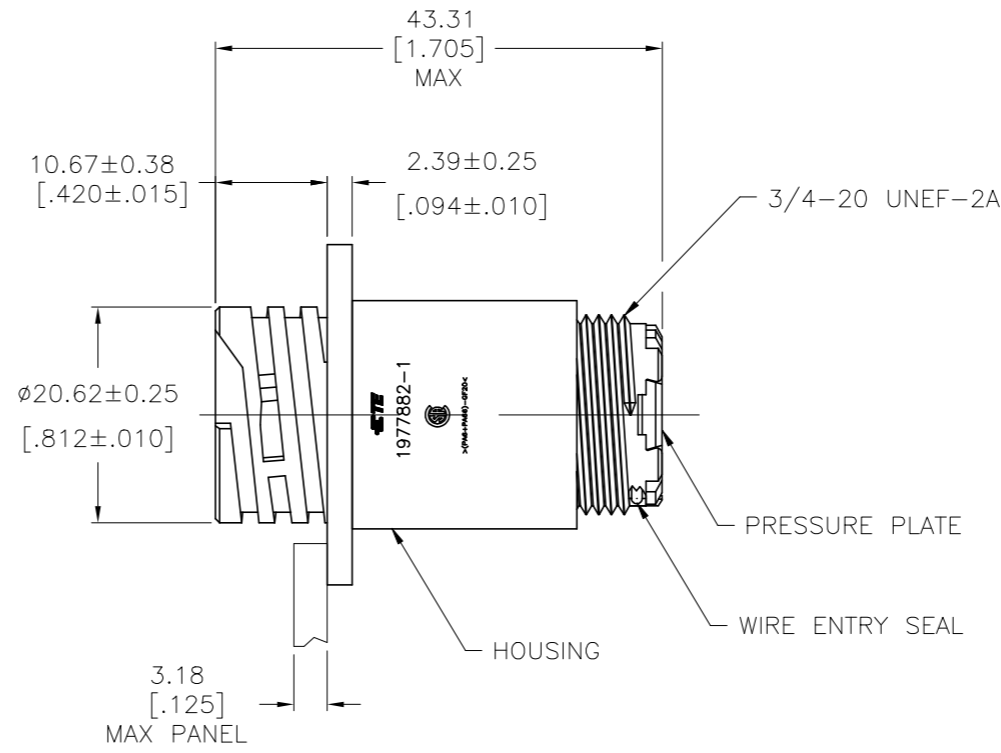
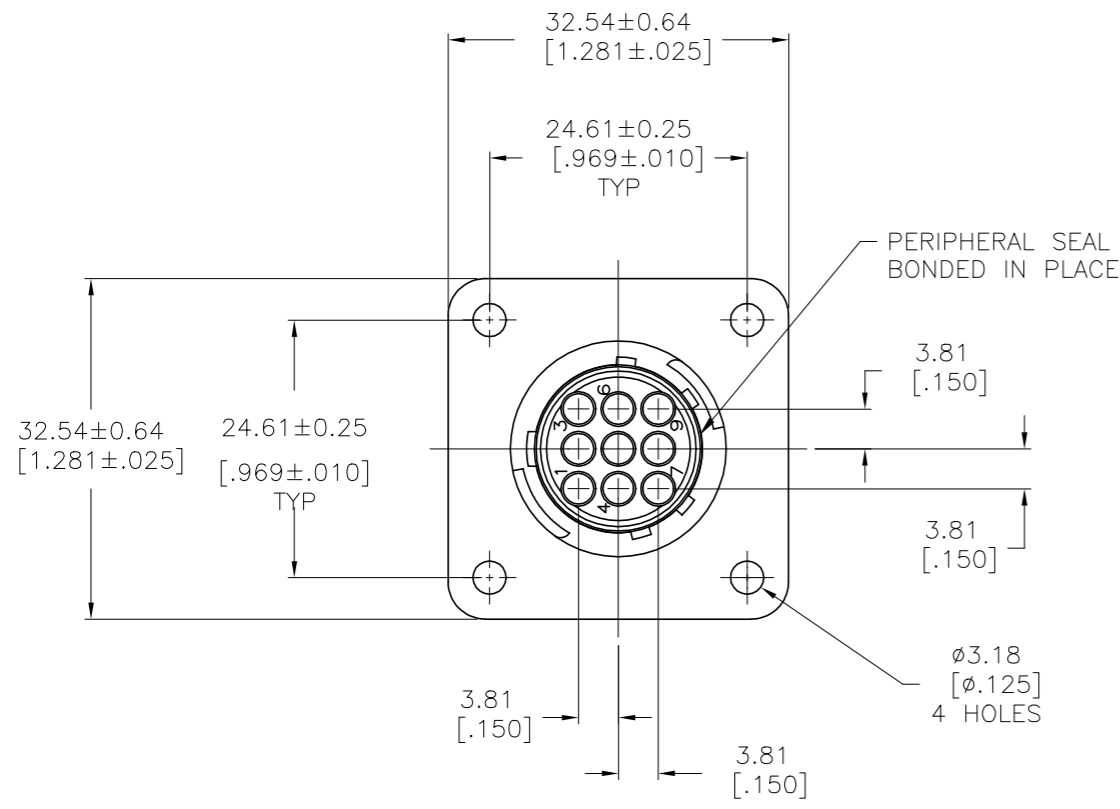


REVISIONS					
P	LTR	DESCRIPTION	DATE	DWN	APVD
A		NEW DRAWING PER ECO-12-018480	08NOV12	KH	MZ
B		REVISED PER ECO-16-006378	03NOV2016	RS	MZ
C		REVISED PER ECO-19-011232	06AUG2019	RS	MZ

- 1 THIS PART WILL ACCEPT NINE (9) MULTIMATE PIN CONTACTS.
- 2 HOUSING AND PRESSURE PLATE: NYLON, BLACK.
 PERIPHERAL SEAL: ELASTOMER, BLACK.
 WIRE ENTRY SEAL: ELASTOMER, RED-IRON OXIDE.



NO	.065-.100	STANDARD	1977882-1
THREADED INSERTS	WIRE INSULATION DIAMETER RANGE	INSULATION	PART NUMBER

THIS DRAWING IS A CONTROLLED DOCUMENT.		DWN KIRAN HOLAL 08NOV12	STE TE Connectivity	
DIMENSIONS: mm [INCHES]		CHK M ZITTO 08NOV12		
TOLERANCES UNLESS OTHERWISE SPECIFIED:		APVD M ZITTO 08NOV12	NAME	
0 PLC	± -	PRODUCT SPEC	CPC SQ FLANGE RCPT ASSY, SERIES 1, SEALED, 13-9, STD SEX, UV RESISTANT	
1 PLC	± -	APPLICATION SPEC	SIZE	RESTRICTED TO
2 PLC	± 0.13 [0.005]	WEIGHT	A2	—
3 PLC	± -	CUSTOMER DRAWING	00779	—
4 PLC	± -	SCALE	C=1977882	—
ANGLES	± -	SCALE	2:1	—
MATERIAL	FINISH	SCALE	2:1	—
		SHEET	1 of 1	—
		REV	C	—

Mouser Electronics

Authorized Distributor

Click to View Pricing, Inventory, Delivery & Lifecycle Information:

[TE Connectivity:](#)

[1977882-1](#)