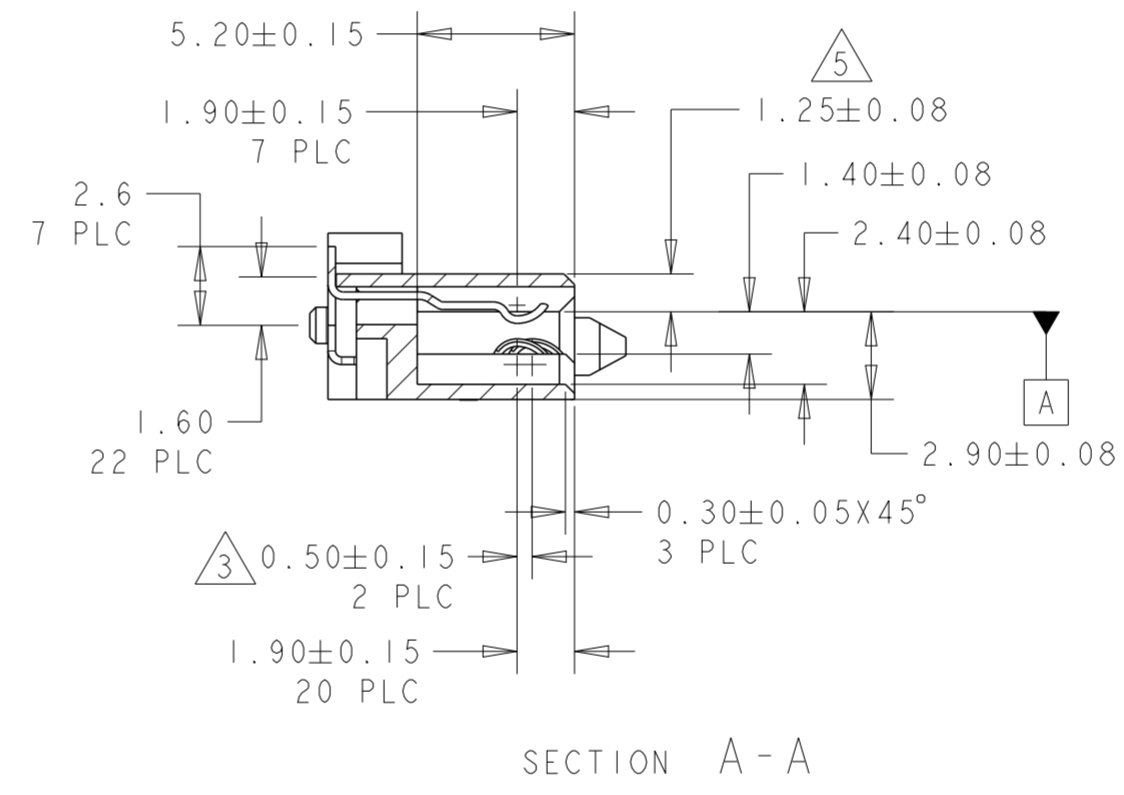
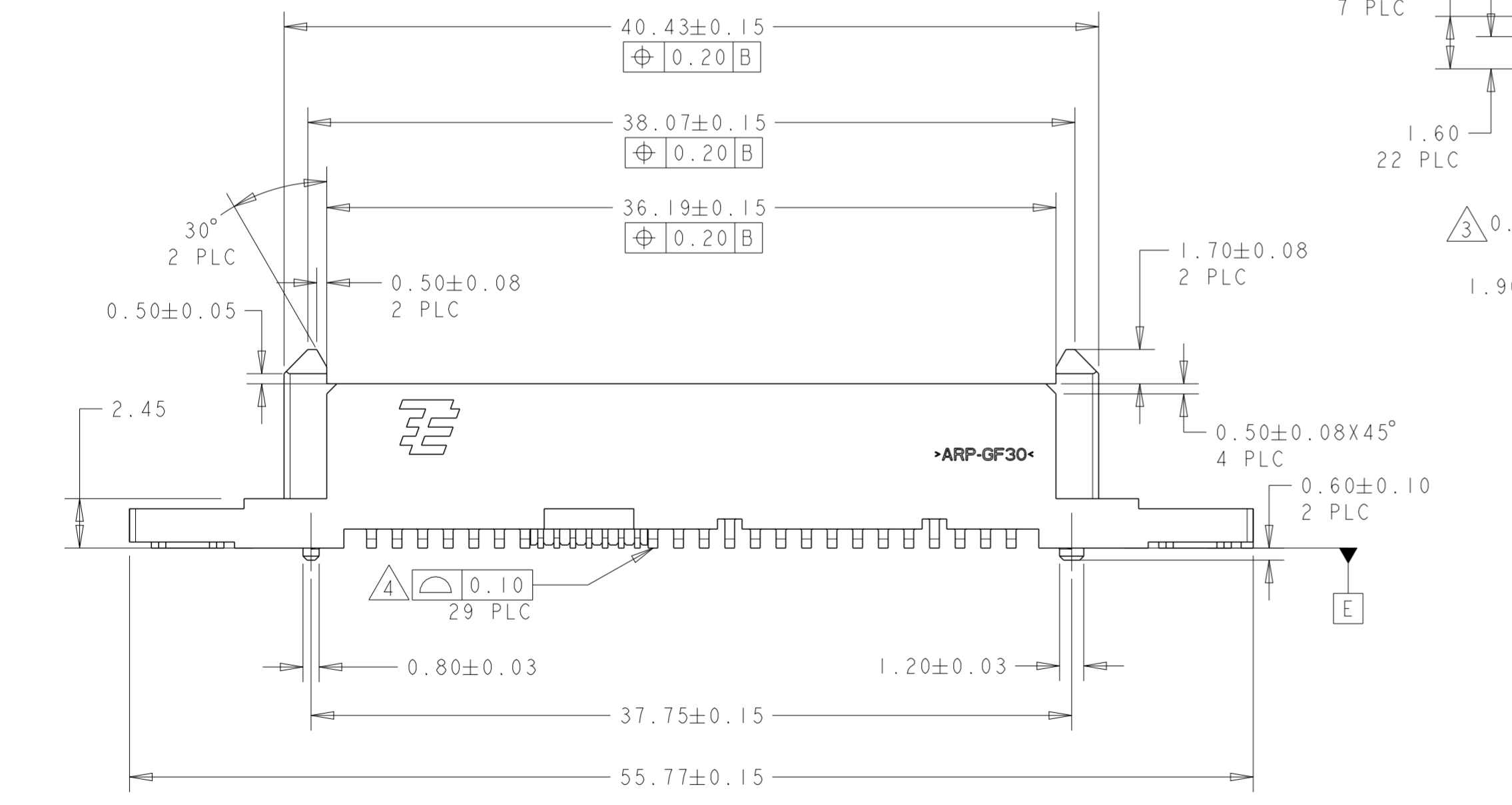
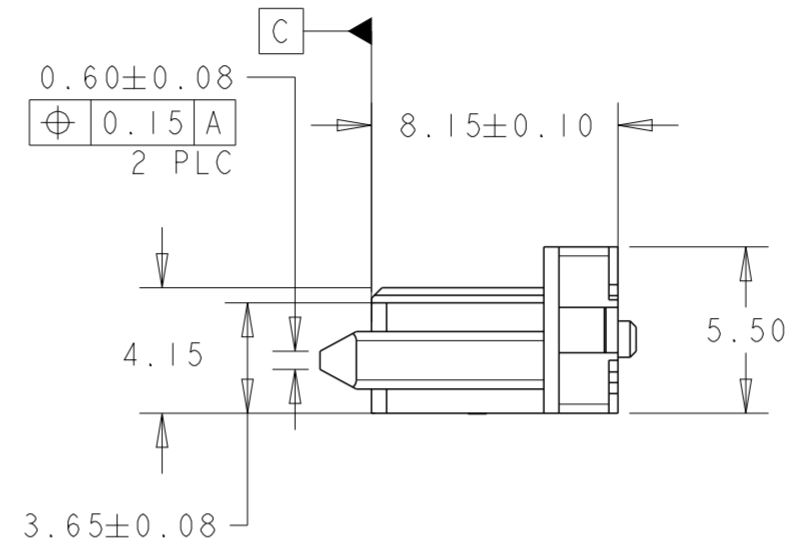
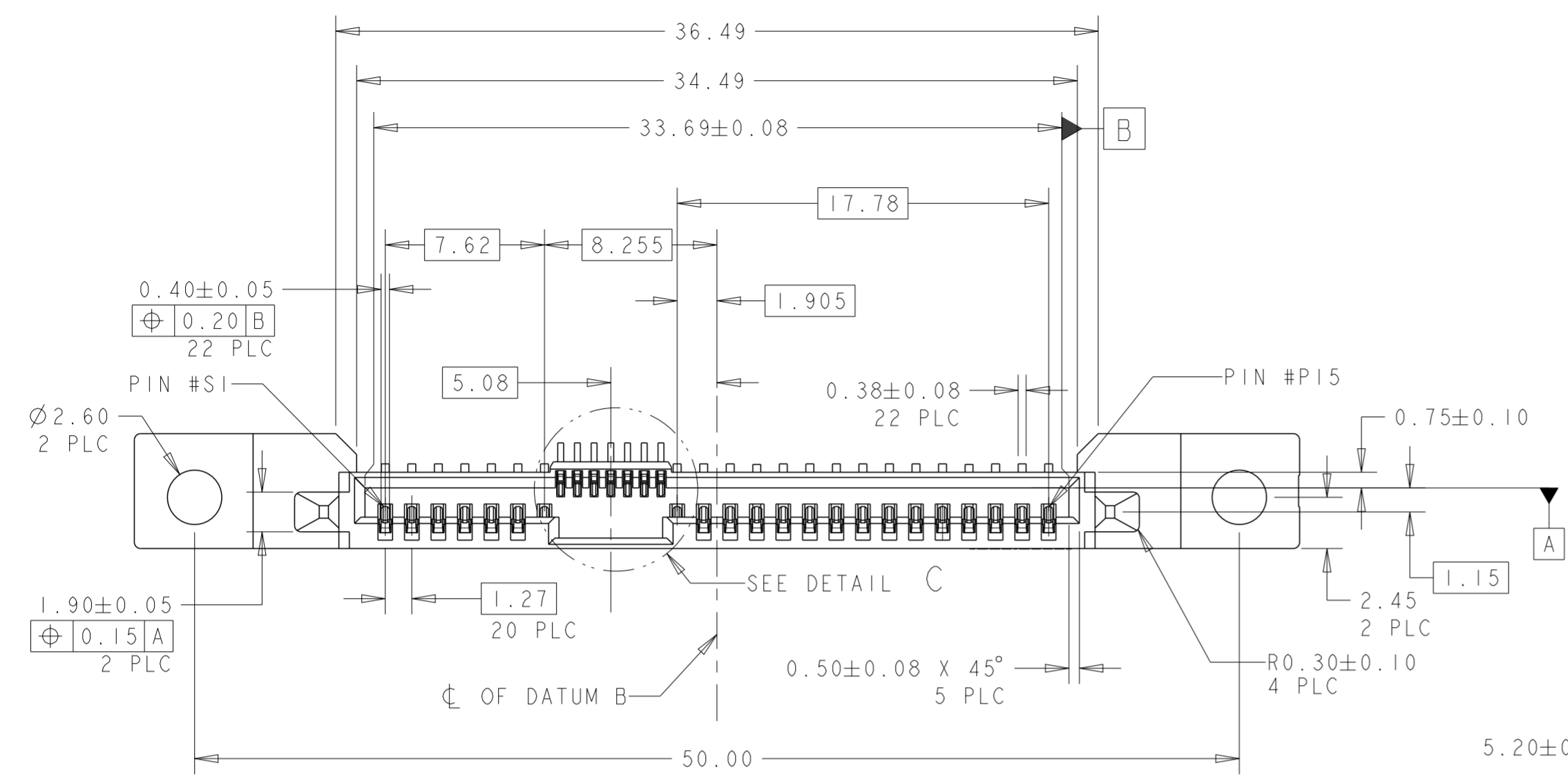


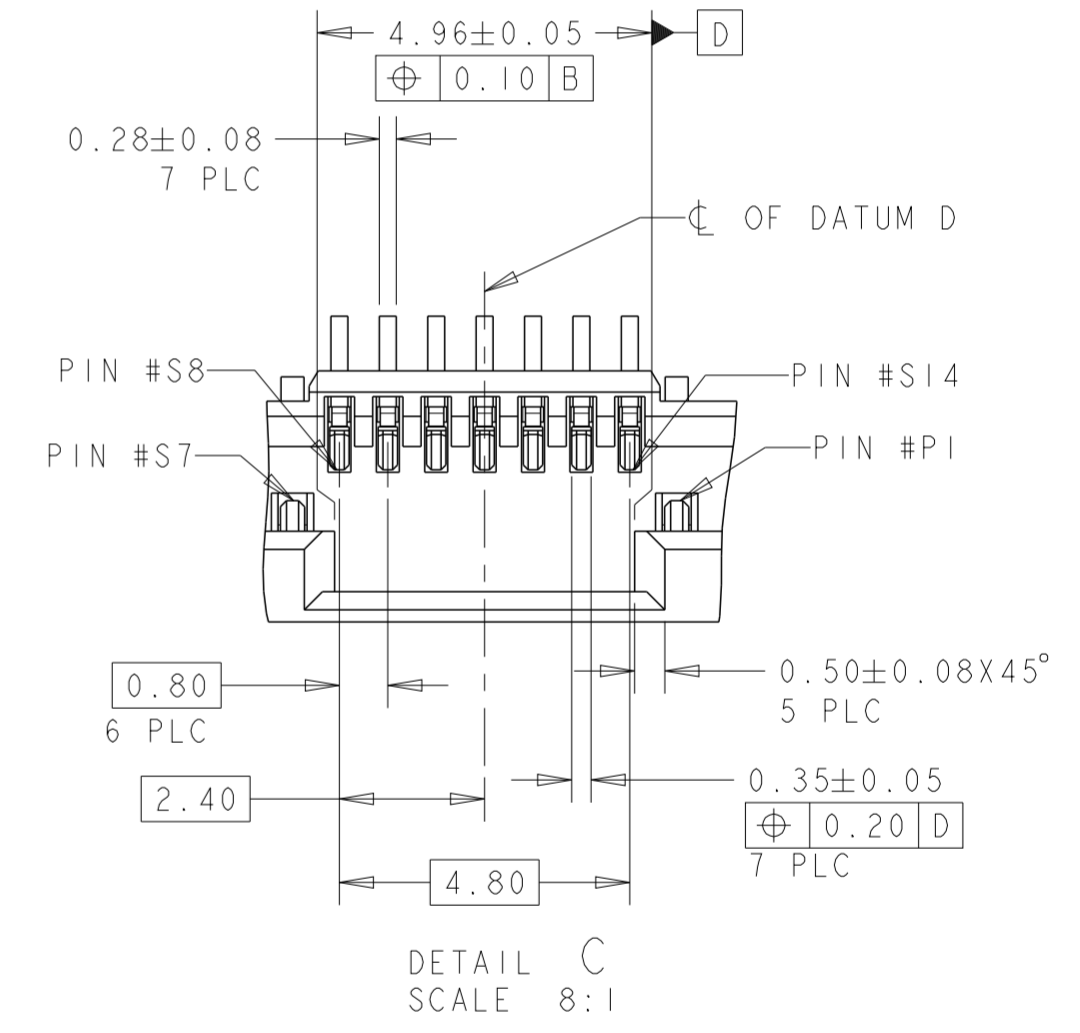
THIS DRAWING IS UNPUBLISHED. RELEASED FOR PUBLICATION 20  
 © COPYRIGHT 20 BY - ALL RIGHTS RESERVED.

REVISIONS					
P	LTR	DESCRIPTION	DATE	DWN	APVD
-	B	REVISED PER ECO-14-008073	30MAY2014	BL	JY



NOTES:

- 1 MATERIAL:  
HOUSING: HIGH TEMP THERMOPLASTIC, UL94V-0,  
COLOR: BLACK  
CONTACT: COPPER ALLOY  
ROUND POST: BRASS
- 2 FINISH:  
CONTACT AREA: MIN 0.76um GOLD PLATING  
SOLDERTAIL: MIN 2.54um MATTE TIN PLATING  
UNDERPLATE: MIN 1.27um NICKEL PLATING  
ROUND POST PLATING: MIN 2.54um TIN OVER  
MIN 1.27um NICKEL UNDERPLATE
- 3 PIN #P4 AND #P12 ONLY
- 4 SOLDERTAIL TO BE 0.05 MAX ABOVE AND  
0.10 MAX BELOW DATUM E
- 5 1.33 MAX MEASURED AT DATUM C



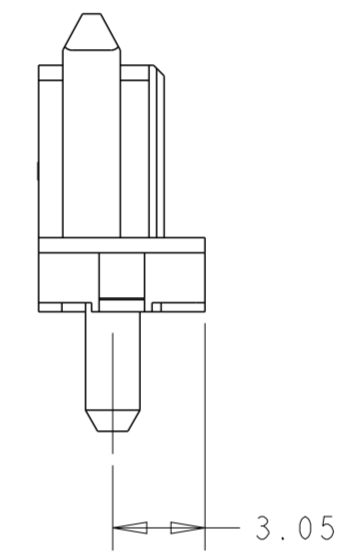
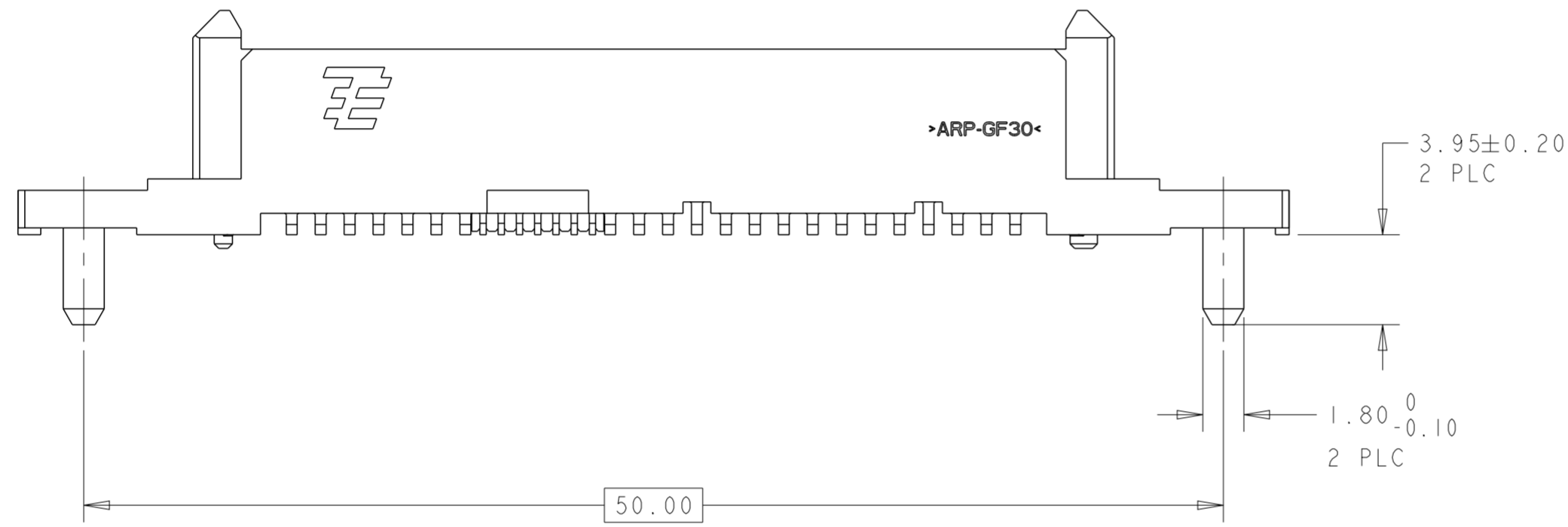
P/N: 1735869-1 AS SHOWN

WITH ROUND POST	1735869-2
WITHOUT ROUND POST	1735869-1
REMARK	PN

THIS DRAWING IS A CONTROLLED DOCUMENT.		DWN TY PANG 15MAR2011	TE Connectivity	
DIMENSIONS: mm		CHK SF LEONG 15MAR2011		
TOLERANCES UNLESS OTHERWISE SPECIFIED:		APVD SF LEONG 15MAR2011	NAME SAS BACKPLANE RECEPTACLE, VERTICAL, SMT, THROUGH HOLE FLANGE	
0 PLC ± 1 PLC ± 2 PLC ±0.20 3 PLC ± 4 PLC ± ANGLES ±3° FINISH		PRODUCT SPEC 108-51067	SIZE A2	
MATERIAL		APPLICATION SPEC	CAGE CODE	DRAWING NO 1735869
1		WEIGHT	RESTRICTED TO	
2		CUSTOMER DRAWING	SCALE 4:1	SHEET 1 OF 3 REV B


THIS DRAWING IS UNPUBLISHED. RELEASED FOR PUBLICATION 20  
 © COPYRIGHT 20 BY - ALL RIGHTS RESERVED.

REVISIONS				
P	LTR	DESCRIPTION	DATE	APVD
-	-	SEE SHEET 1	-	-



1735869-2 AS SHOWN

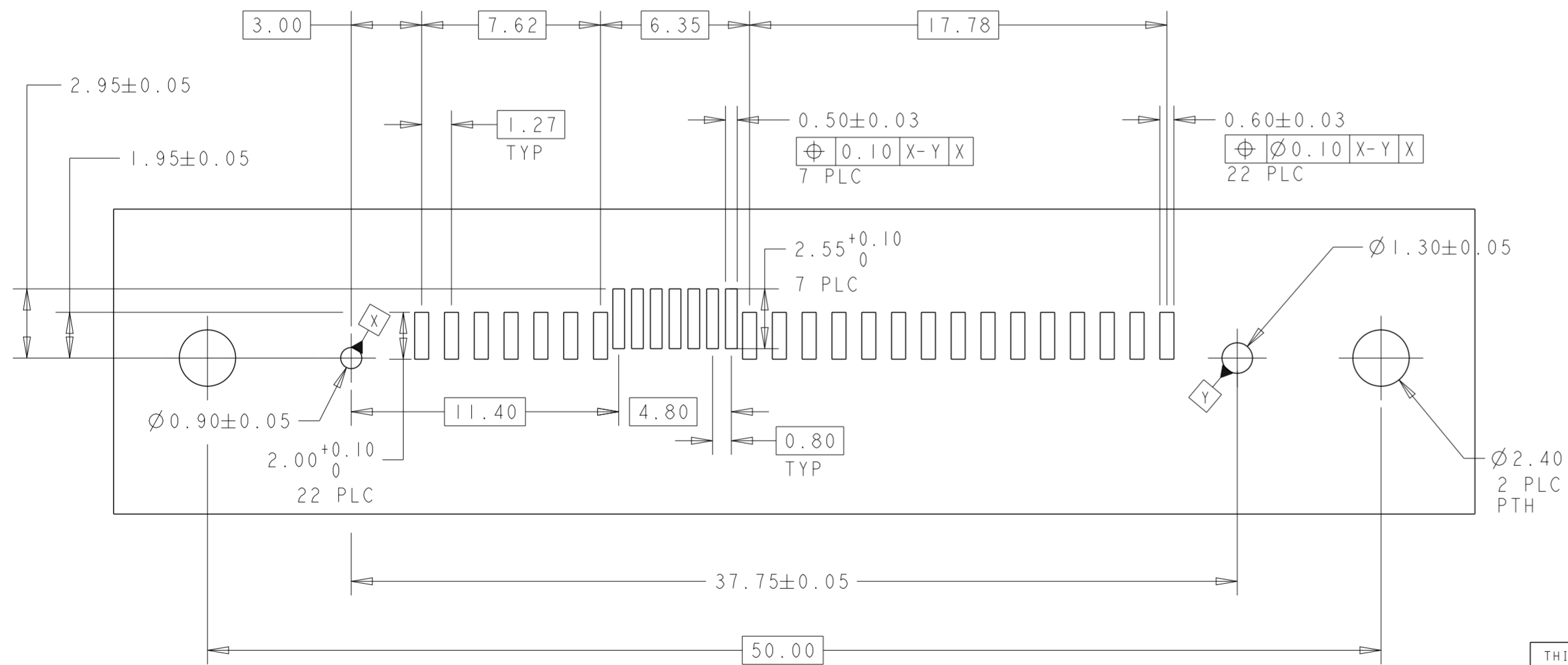
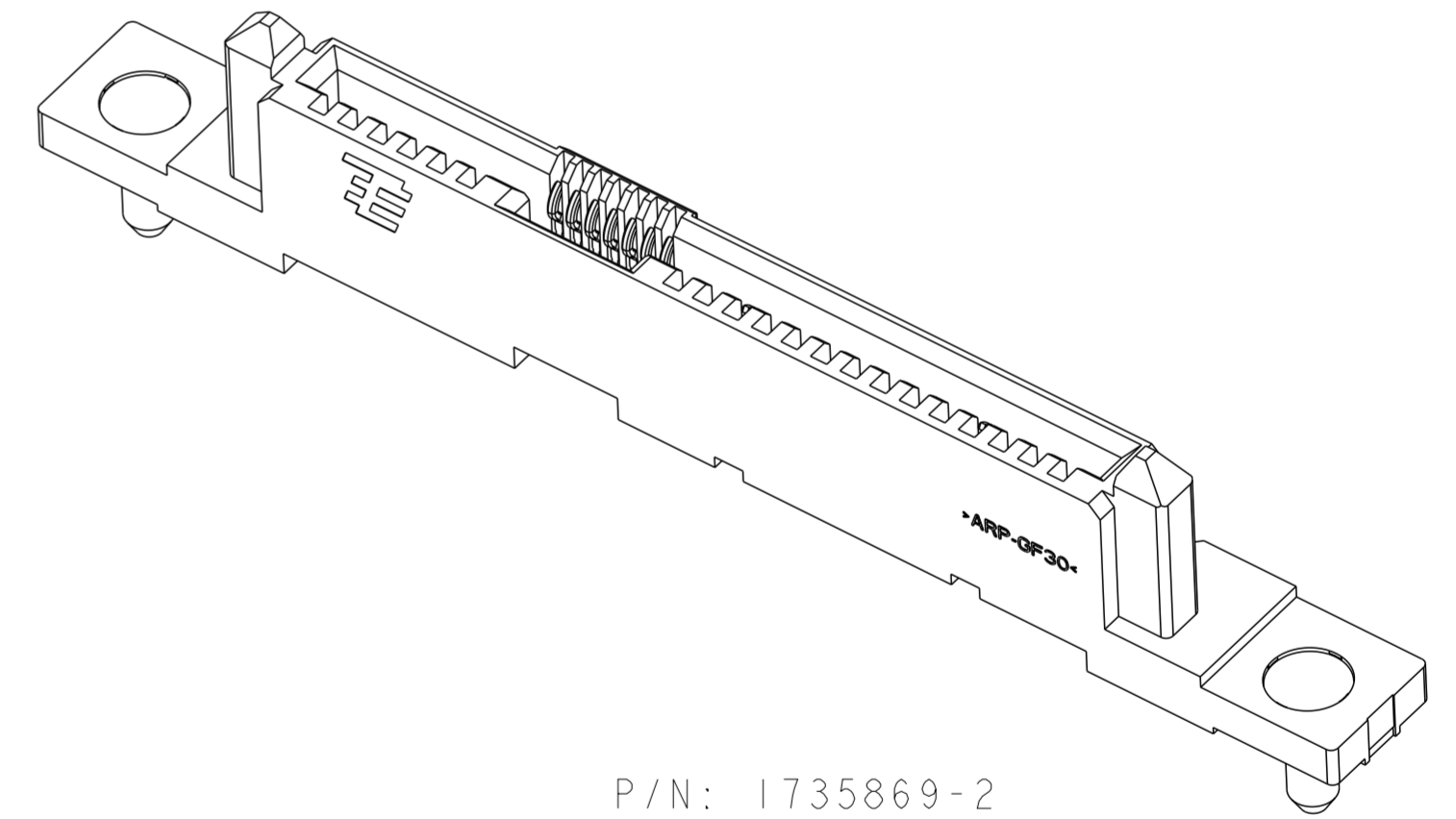
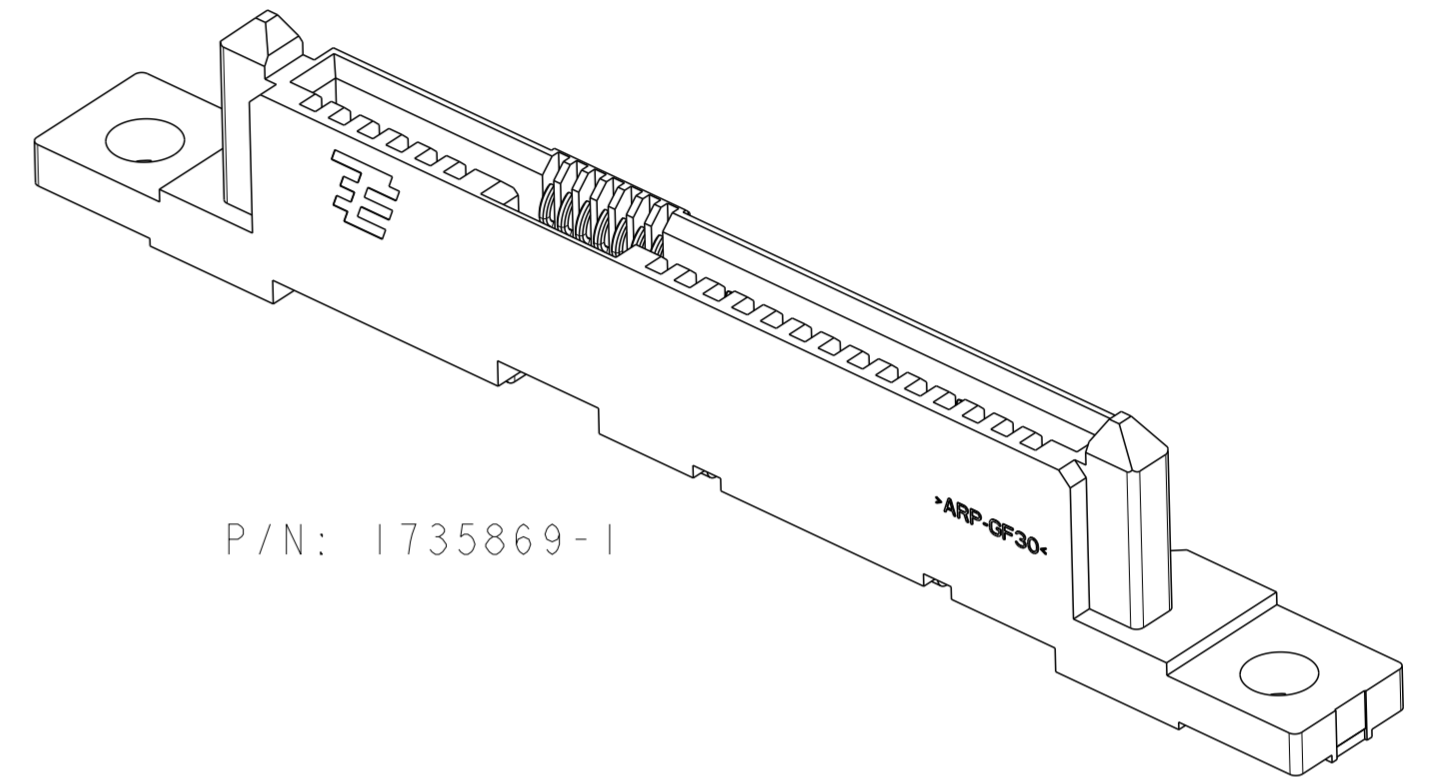
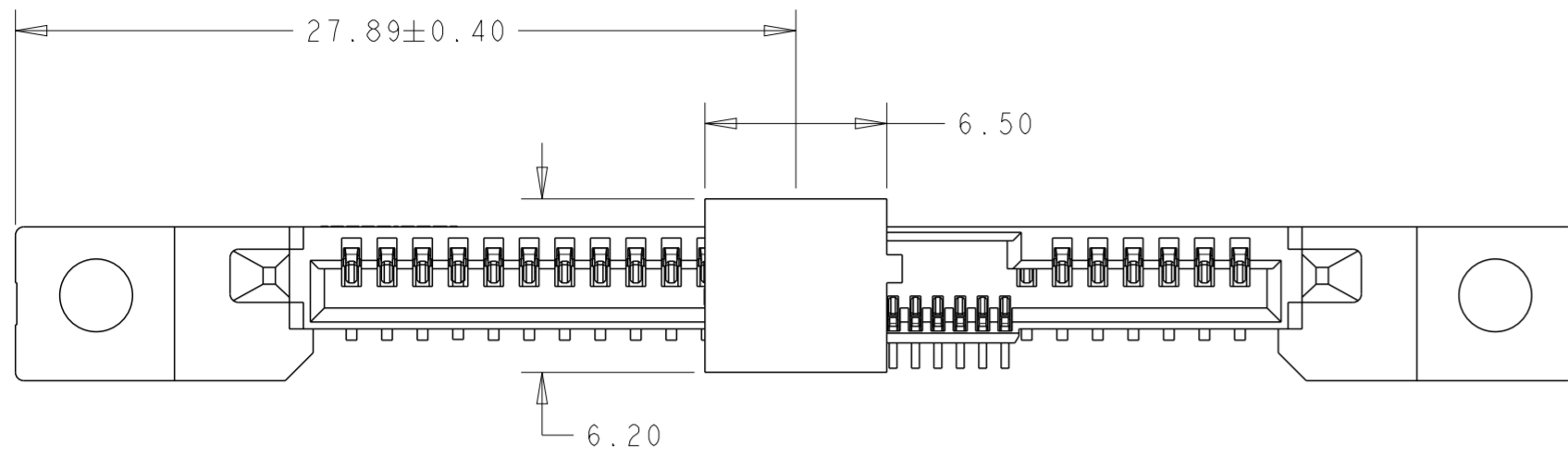
UNSPECIFIC DIMENSIONS ARE SAME WITH 1735869-1

THIS DRAWING IS A CONTROLLED DOCUMENT.		DWN TY PANG 15MAR2011	 TE Connectivity	
DIMENSIONS: mm		CHK SF LEONG 15MAR2011		
TOLERANCES UNLESS OTHERWISE SPECIFIED:		APVD SF LEONG 15MAR2011	NAME SAS BACKPLANE RECEPTACLE, VERTICAL, SMT, THROUGH HOLE FLANGE	
0 PLC ± 1 PLC ± 2 PLC ±0.20 3 PLC ± 4 PLC ± ANGLES ±3° FINISH		PRODUCT SPEC 108-51067	SIZE A2	
MATERIAL		APPLICATION SPEC -	CAGE CODE -	DRAWING NO C-1735869
		WEIGHT -	RESTRICTED TO -	
		CUSTOMER DRAWING	SCALE 4:1	SHEET 2 OF 3
			REV B	

THIS DRAWING IS UNPUBLISHED. RELEASED FOR PUBLICATION 20  
 © COPYRIGHT 20 BY - ALL RIGHTS RESERVED.

REVISIONS				
P	LTR	DESCRIPTION	DATE	APVD
-	-	SEE SHEET 1	-	-

P/NS WITH CAP AS SHOWN



RECOMMENDED PCB LAYOUT  
 SCALE 5:1

THIS DRAWING IS A CONTROLLED DOCUMENT.		DWN TY PANG 15MAR2011	TE Connectivity	
DIMENSIONS: mm		CHK SF LEONG 15MAR2011		
TOLERANCES UNLESS OTHERWISE SPECIFIED:		APVD SF LEONG 15MAR2011	NAME SAS BACKPLANE RECEPTACLE, VERTICAL, SMT, THROUGH HOLE FLANGE	
0 PLC ± 1 PLC ± 2 PLC ±0.20 3 PLC ± 4 PLC ± ANGLES ±3° FINISH		PRODUCT SPEC 108-51067	SIZE A2	
MATERIAL TBD		APPLICATION SPEC -	CAGE CODE -	DRAWING NO G-1735869
-		WEIGHT -	RESTRICTED TO -	SCALE 4:1 SHEET 3 OF 3 REV B
-		CUSTOMER DRAWING		

# Mouser Electronics

Authorized Distributor

Click to View Pricing, Inventory, Delivery & Lifecycle Information:

[TE Connectivity:](#)

[1735869-1](#)