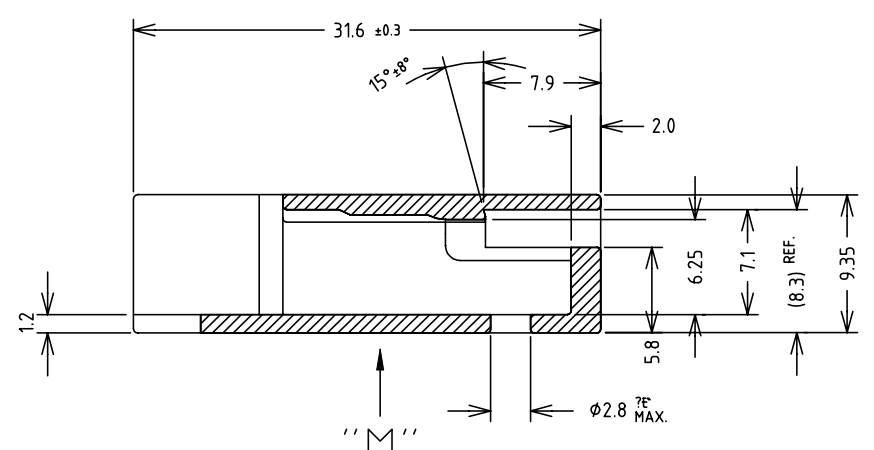
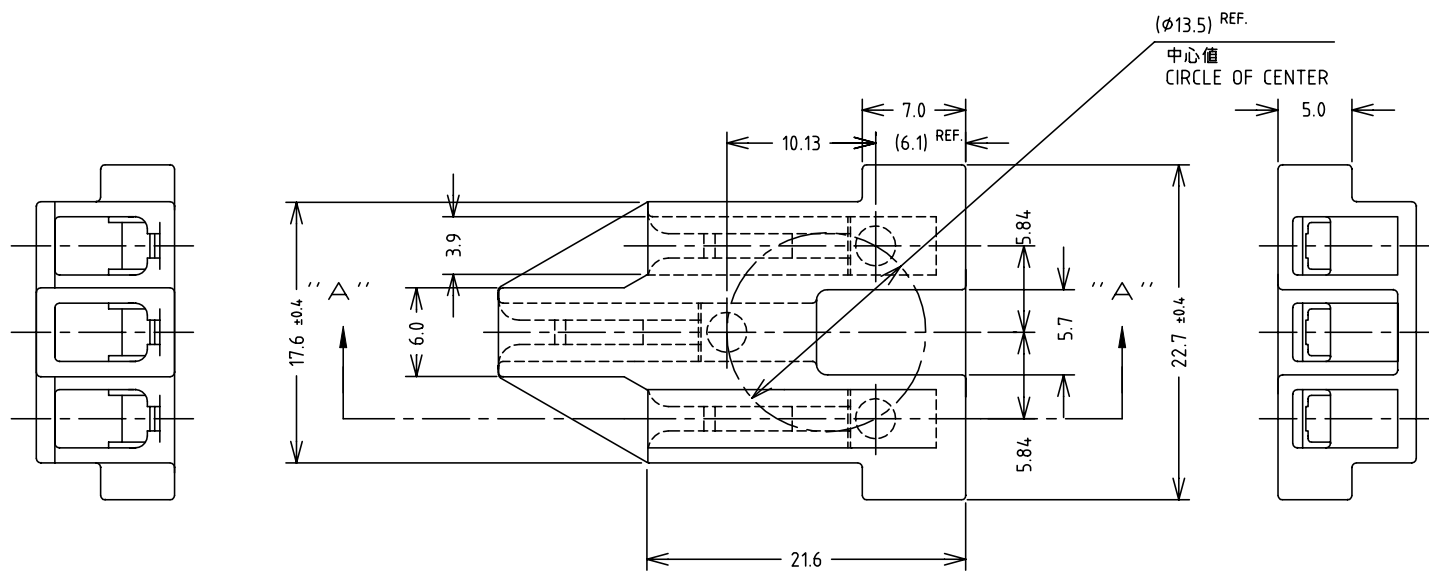
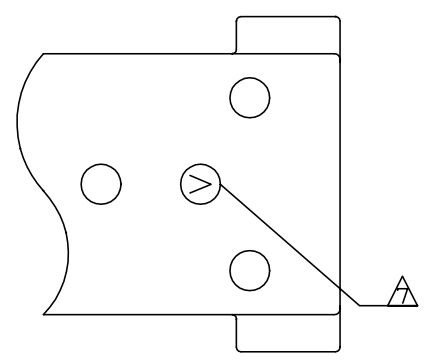


THIS DRAWING IS UNPUBLISHED. RELEASED FOR PUBLICATION MAY, 21 . ALL RIGHTS RESERVED.

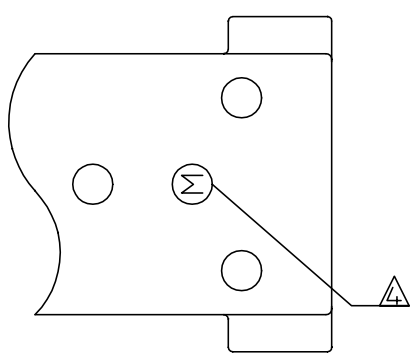
LOC	DIST	REVISIONS					
		P	LTR	DESCRIPTION	DATE	DWN	APVD
J	-	R1		ALTERNATE RESIN UPDATE FOR 1-171370-2	12MAR2020	SE	PKS



断面 "A" - "A" SECT



矢視 "M" 1-171370-2 VIEW



矢視 "M" 1-171370-1 VIEW

注記:

1. 一般公差 : ± 0.2
 2. 適用ピン リセプタクル型番 : □ -170063-□ , □ -353937-□ , □ -1123655-□
 3. 適用規格番号 : 108-5143 (型番1-171370-1)
- △ 裏面上 I.D マーク : 型番1-171370-1のみ M 表示 文字の向きは任意とする。
 △ ミューラスRタイプ : UL94V-0 , CTI 600V
 △ フェノール ノンアンモニア : UL94V-0 , CTI 175 ~ 249V以上
 △ 裏面上 I.D マーク : 型番1-171370-2のみ L 表示 文字の向きは任意とする。

NOTES:

1. GENERAL TOLERANCE ± 0.2
2. APPLICABLE CONTACT PART No.: □ -170063-□ , □ -353937-□ , □ -1123655-□
3. PRODUCT SPEC No.: 108-5143(1-171370-1)

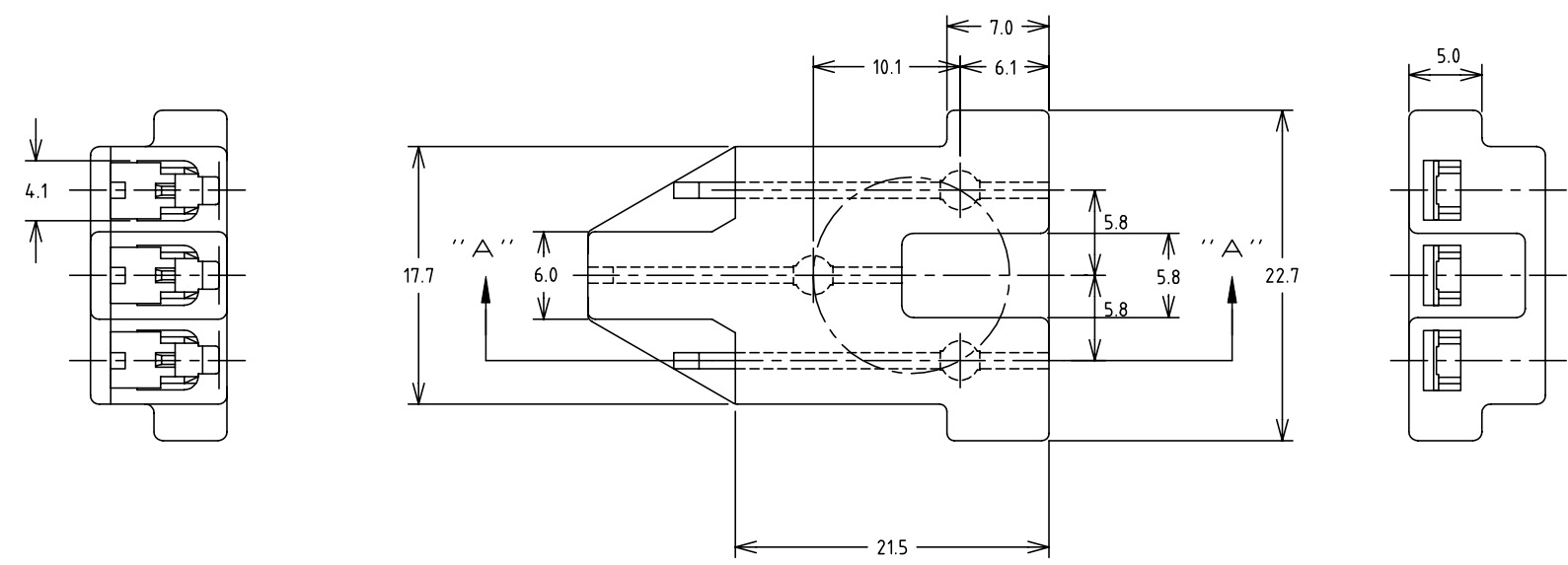
- △ I.D MARK ON REAR SIDE : INDICATION M AT PART No.1-171370-1 ONLY. DIRECTION OF CHARACTERS IS FREE.
- △ MEWLUS "R" TYPE : UL94V-0 , CTI 600V MIN
- △ PHENOLIC NONAMMONIA UL94V-0 , CTI 175 ~ 249V
- △ I.D MARK ON REAR SIDE : INDICATION L AT PART No.1-171370-2 ONLY. DIRECTION OF CHARACTERS IS FREE.

△ 1-171370-2	△ フェノール (PHENOLIC)	黒 (BLACK)
△ 1-171370-1	△ ミューラス Rタイプ (MEWLUS "R" TYPE)	黒 (BLACK)
型番 (PART No.)	材料 (MATERIAL)	色 (COLOR)

THIS DRAWING IS A CONTROLLED DOCUMENT.		DWN	M.SUZUKI	21MAY2002	STE TE Connectivity
DIMENSIONS: 単位: 耗 mm		CHK	M.SHINDO	21MAY2002	
TOLERANCES UNLESS OTHERWISE SPECIFIED: 一般公差		APVD	M.SHINDO	21MAY2002	NAME 名称 2.3 DIA CLUSTER BLOCK Φ2.3 クラスタブロック
0 PLC ± - 1 PLC ± - 2 PLC ± - 3 PLC ± - 4 PLC ± - ANGLES ± -		PRODUCT SPEC	SEE NOTES 3.		
MATERIAL 材料 SEE TABLE		FINISH 仕上	APPLICATION SPEC 取付適用規格		SIZE A3
CUSTOMER DRAWING		WEIGHT	DRAWING NO 番号 C=171370		
		SCALE 尺度 4:1		SHEET 1 of 3	RESTRICTED TO REV R1

THIS DRAWING IS UNPUBLISHED. RELEASED FOR PUBLICATION MAY, 21 .
 © COPYRIGHT 02 By - ALL RIGHTS RESERVED.

LOC	DIST	REVISIONS 変更					
J		P	LTR	DESCRIPTION	DATE	DWN	APVD
		-	-	SEE SHEET 1	-	-	-



注記:

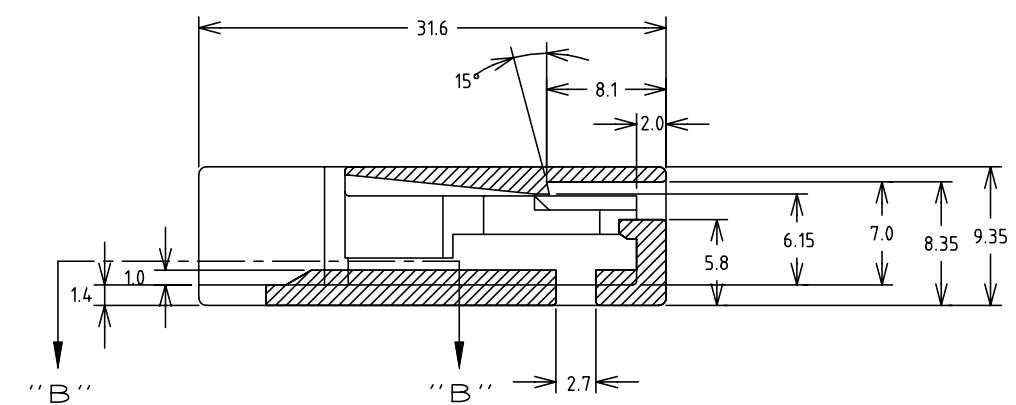
- 一般公差 : ±0.2
- 適用ピン リセプタクル型番 : □-170063-□, □-353937-□, □-1123655-□
- 適用規格番号: 108-5205(型番171370-3)
108-61239(型番171370-4)
108-5541(型番171370-5)

- △4 PARTS COMPLY WITH GLOW WIRE 750 PER IEC 60335-1.
- △5 MUST BE APPLIED ON THE OUTSIDE OF COMPRESSOR.

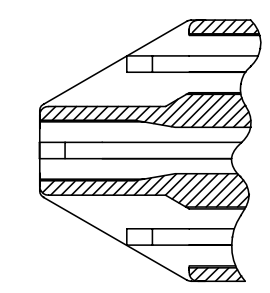
NOTES:

- GENERAL TOLERANCE ±0.2
- APPLICABLE CONTACT PART No.:
□-170063-□, □-353937-□, □-1123655-□
- PRODUCT SPEC No.: 108-5205(FOR PART No.171370-3)
108-61239(FOR PART No.171370-4)
108-5541(FOR PART No.171370-5)

- △4 GLOW WIRE 750(IEC 60335-1), CTI 600V(HALOGEN FREE)
- △5 MUST BE APPLIED ON THE OUTSIDE OF COMPRESSOR.



断面“A-A” SECT



断面“B-B” SECT

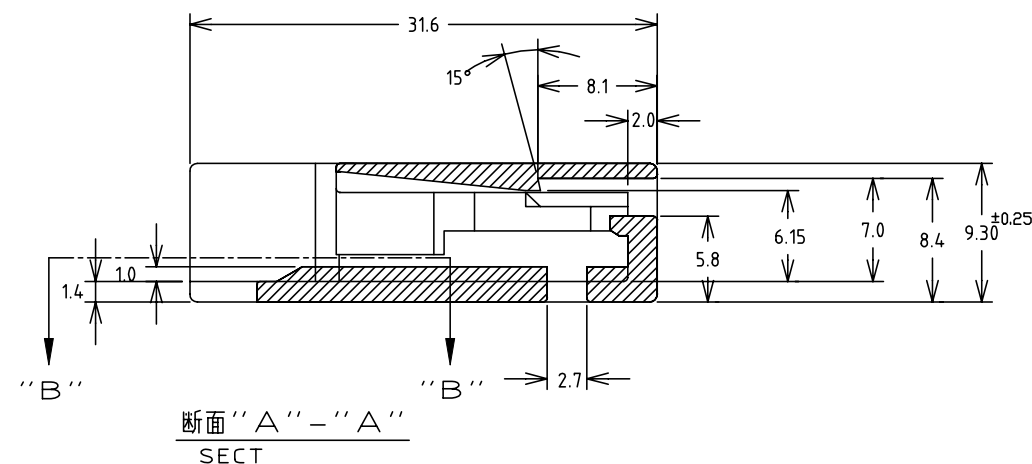
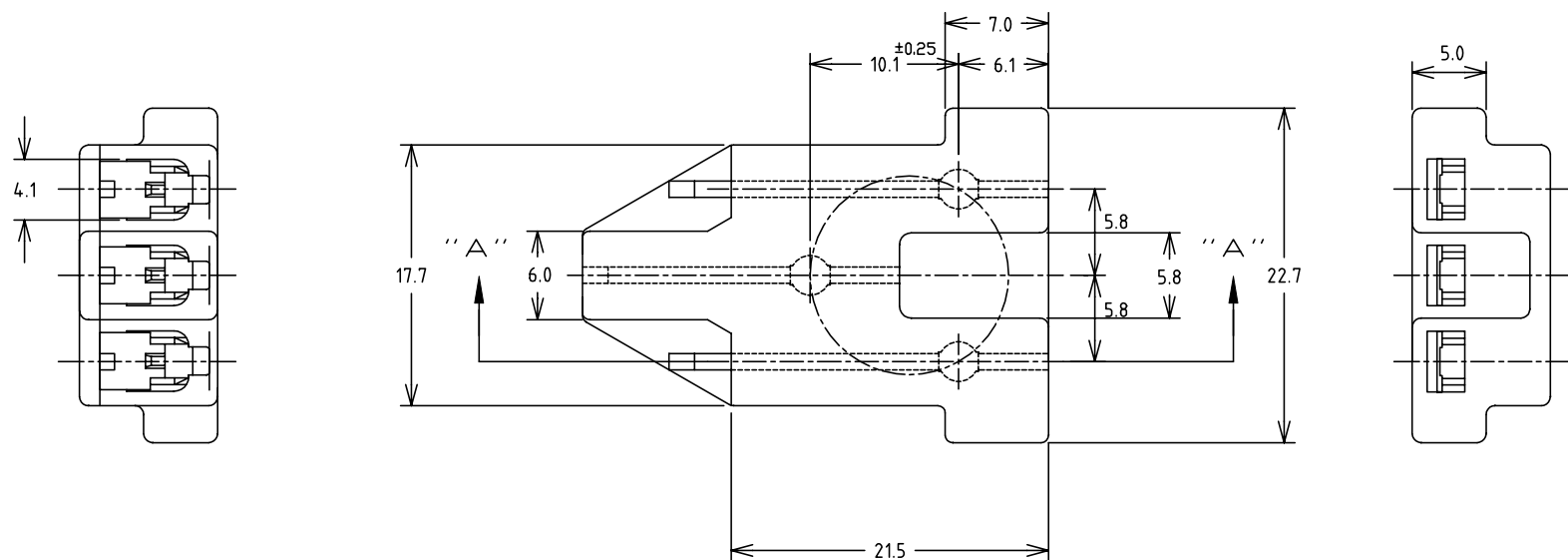
171370-5	PBT ガラス強化 PBT GLASS FILLED(UL94V-0)	灰色 (GRAY)
171370-4	PBT ガラス強化 PBT GLASS FILLED(UL94V-0)	黒 (BLACK)
171370-3	PBT ガラス強化 PBT GLASS FILLED(UL94HB)	自然色 (NATURAL)
型番 (PART No.)	材料 (MATERIAL)	色 (COLOR)

△4 △5

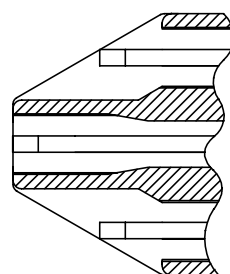
THIS DRAWING IS A CONTROLLED DOCUMENT.		DWN	TE Connectivity	
DIMENSIONS: 単位: 耗 mm		CHK		
TOLERANCES UNLESS OTHERWISE SPECIFIED: 一般公差		APVD	NAME 名称 2.3 DIA CLUSTER BLOCK Φ2.3 クラスタブロック	
0 PLC ± 1 PLC ± 2 PLC ± 3 PLC ± 4 PLC ± ANGLES ±		PRODUCT SPEC 製品規格 SEE NOTE 3	SIZE	CAGE CODE
MATERIAL 材料 SEE TABLE		APPLICATION SPEC 取付適用規格	A3	00779
FINISH 仕上		WEIGHT	DRAWING NO 番号 C=171370	
		CUSTOMER DRAWING	RESTRICTED TO —	
		SCALE 尺度 4:1	SHEET 2 of 3	REV R1

THIS DRAWING IS UNPUBLISHED. RELEASED FOR PUBLICATION MAY, 21 .
 © COPYRIGHT 02 By - ALL RIGHTS RESERVED.

LOC	DIST	REVISIONS					
		P	LTR	DESCRIPTION	DATE	DWN	APVD
J		-	-	SEE SHEET 1	-	-	-



断面 "A" - "A"
SECT



断面 "B" - "B"
SECT

注記:

1. 一般公差 : ±0.2
2. 適用ピン リセプタクル型番 : □-170063-□, □-353937-□, □-1123655-□
3. 適用規格番号: 108-140004 (型番 171370-7)
4. PRELIMINARY-NOT FOR PRODUCTION
5. PARTS COMPLY WITH GLOW WIRE REQUIREMENTS DETAILED IN IEC 60335-1

NOTES:

1. GENERAL TOLERANCE ±0.2
2. APPLICABLE CONTACT PART No. : □-170063-□, □-353937-□, □-1123655-□
3. PRODUCT SPEC No.: 108-140004 (FOR PART No. 171370-7)
4. PRELIMINARY-NOT FOR PRODUCTION
5. PARTS COMPLY WITH GLOW WIRE REQUIREMENTS DETAILED IN IEC 60335-1
6. PRELIMINARY PART

△6	171370-8	PPS (UL94V-0)	(NATURAL)
△5	171370-6	PA 6 GLASS FILLED	自然色 (NATURAL)
	171370-7	液晶ポリマー (UL94V-0) LCP (UL94V-0)	自然色 (NATURAL)
	型番 (PART No.)	材料 (MATERIAL)	色 (COLOR)

THIS DRAWING IS A CONTROLLED DOCUMENT.		DWN	STE TE Connectivity	
DIMENSIONS: 単位: 耗 mm		CHK		
TOLERANCES UNLESS OTHERWISE SPECIFIED: 一般公差		APVD	NAME 名称	
0 PLC ±		PRODUCT SPEC 製品規格	2.3 DIA CLUSTER BLOCK	
1 PLC ±		APPLICATION SPEC 取付適用規格	Φ2.3 クラスタブロック	
2 PLC ±		WEIGHT	SIZE	CAGE CODE
3 PLC ±		CUSTOMER DRAWING	A3	00779
4 PLC ±			DRAWING NO 番号	C=171370
ANGLES ±		RESTRICTED TO	-	
MATERIAL 材料		SCALE 尺度		SHEET
SEE TABLE		4:1		3 of 3
		REV		R1

Mouser Electronics

Authorized Distributor

Click to View Pricing, Inventory, Delivery & Lifecycle Information:

[TE Connectivity:](#)

[171370-3](#)