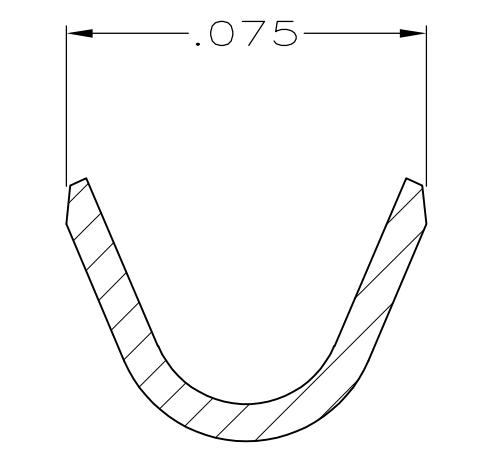
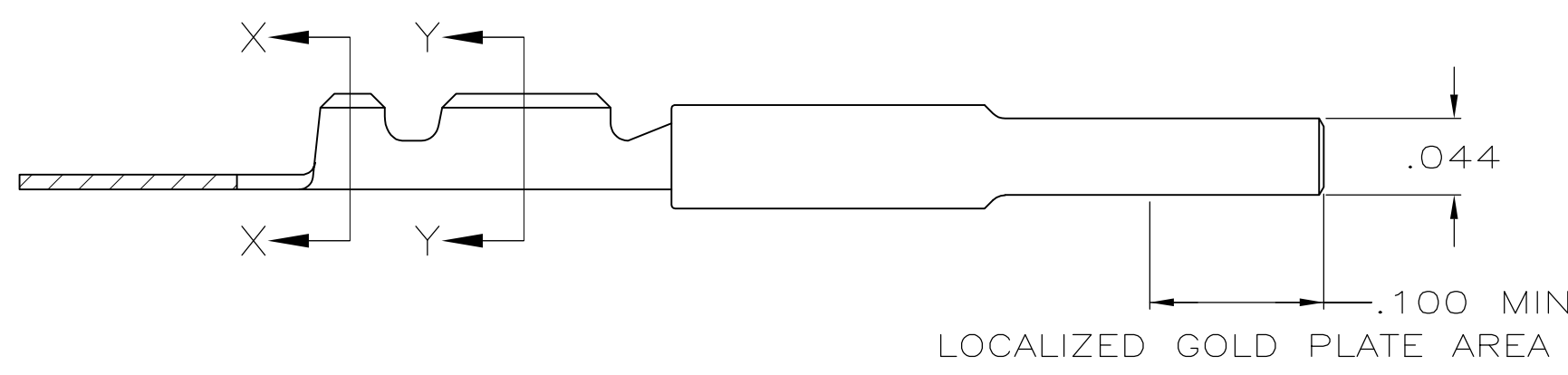
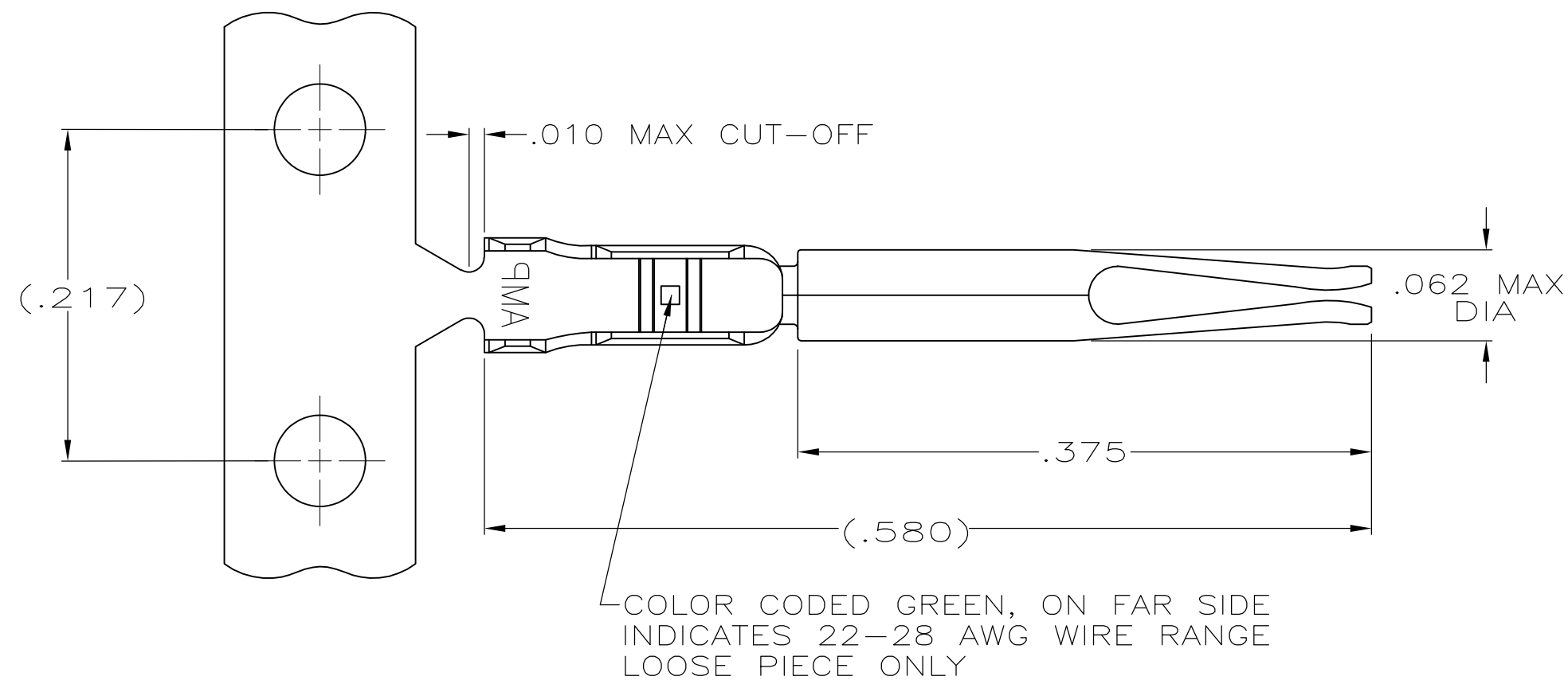
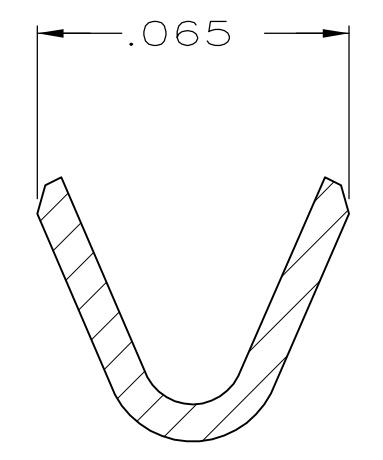


THIS DRAWING IS UNPUBLISHED. RELEASED FOR PUBLICATION  
 © COPYRIGHT - By - ALL RIGHTS RESERVED.

| LOC | DIST | REVISIONS |     |                           |           |     |      |
|-----|------|-----------|-----|---------------------------|-----------|-----|------|
| GP  | 00   | P         | LTR | DESCRIPTION               | DATE      | DWN | APVD |
|     |      | C         |     | REVISED PER ECO-12-019403 | 05NOV2012 | CJV | CWR  |



SECTION X-X  
INSULATION BARREL



SECTION Y-Y  
WIRE BARREL

- 1 FOR MINI APPLICATOR.
- 2 FOR HAND TOOL USE ONLY.
- 3. WIRE RANGE OF 22-28, INSULATION RANGE OF .030-.040.
- 4 .000050 MIN NICKEL UNDERPLATE ON ENTIRE CONTACT.  
.000100 MIN TIN ON WIRE AND INSULATION BARRELS. .000030 MIN GOLD ON LOCALIZED GOLD PLATE AREA.  
OR  
.000050 MIN NICKEL UNDERPLATE ON ENTIRE CONTACT,  
.000100 MIN TIN ON WIRE AND INSULATION BARRELS, GOLD FLASH OVER PALLADIUM-NICKEL, .000030 MIN TOTAL ON LOCALIZED GOLD PLATE AREA.
- 5 PLATED WITH GOLD FLASH IN LOCALIZED GOLD PLATE AREA, .000100 MIN. TIN ON WIRE BARRELS, OVER .000050 MIN. NICKEL UNDERPLATE.
- 6 .000030 MIN GOLD ON LOCALIZED GOLD PLATE AREA, .000100 MIN TIN ON WIRE BARRELS, BOTH OVER, .000050 MIN NICKEL UNERPLATE ON ENTIRE CONTACT.

|        |               |               |
|--------|---------------|---------------|
| 6      | 1658686-6     | 1658686-5     |
| 5      | 1658686-4     | 1658686-3     |
| 4      | 1658686-2     | 1658686-1     |
| FINISH | LOOSE PIECE 2 | PART NUMBER 1 |

|  |                  |                            |  |                 |
|--|------------------|----------------------------|--|-----------------|
| THIS DRAWING IS A CONTROLLED DOCUMENT. DIMENSIONING AND TOLERANCING PER ASME Y14.5M-2009 |                  | DWN L. BAUM 02JAN04        |  |                 |
| DIMENSIONS: INCHES   |                  | CHK S. BOLASH 02JAN04      |  |                 |
| TOLERANCES UNLESS OTHERWISE SPECIFIED:   |                  | APVD M. WALMSLEY 02JAN04   | NAME SOCKET CONTACT, 22-28 AWG, 22 DF, AMPLIMITE |                 |
| 0 PLC ± -  | 1 PLC ± -        | PRODUCT SPEC 108-1268      | -  |                 |
| 2 PLC ± -  | 3 PLC ± .005     | APPLICATION SPEC 114-10001 | -  |                 |
| 4 PLC ± -  | ANGLES ± 2°      | WEIGHT -                   | SIZE A2  | CAGE CODE 00779 |
| MATERIAL PHOS BRONZE   | FINISH SEE TABLE | CUSTOMER DRAWING           | DRAWING NO C=1658686                             | RESTRICTED TO - |
| SCALE 10:1   |                  |                            | SHEET 1 of 1                                     | REV C           |

1658686

# Mouser Electronics

Authorized Distributor

Click to View Pricing, Inventory, Delivery & Lifecycle Information:

[TE Connectivity:](#)

[1658686-2](#)