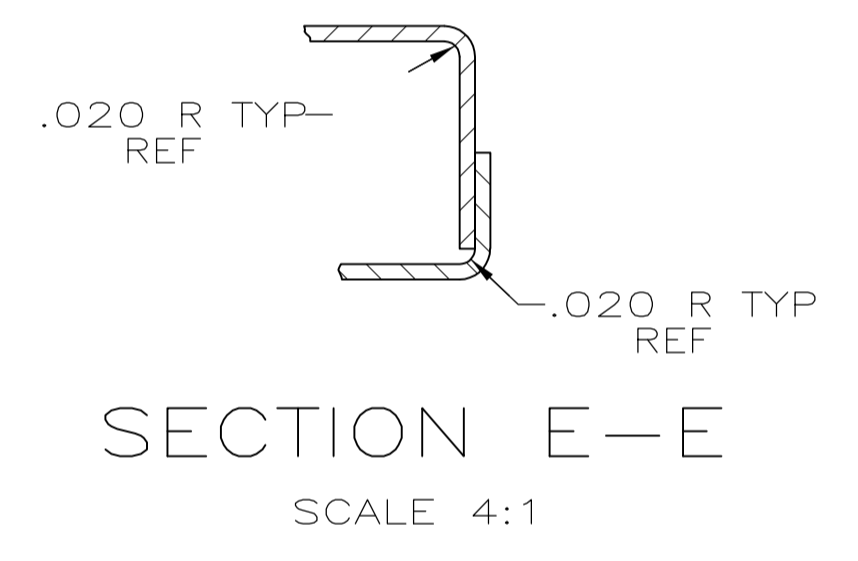
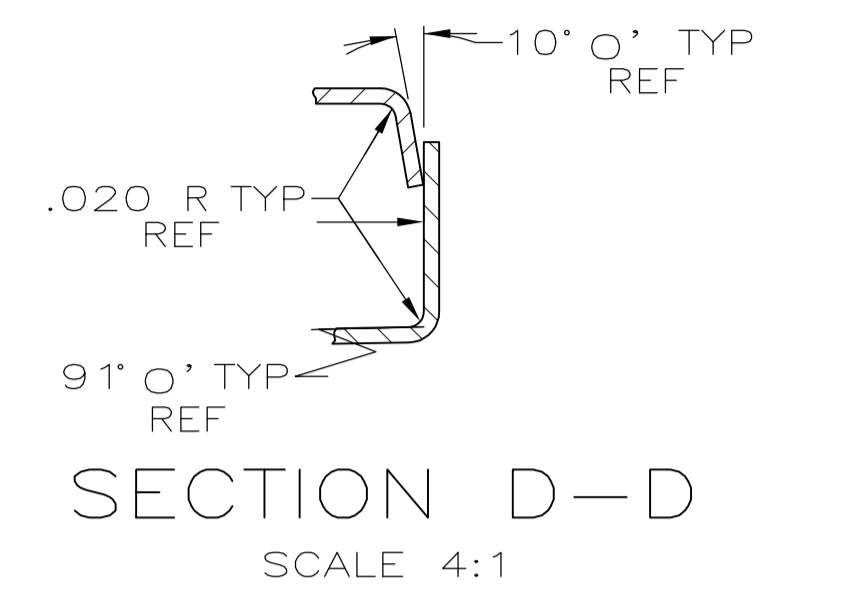
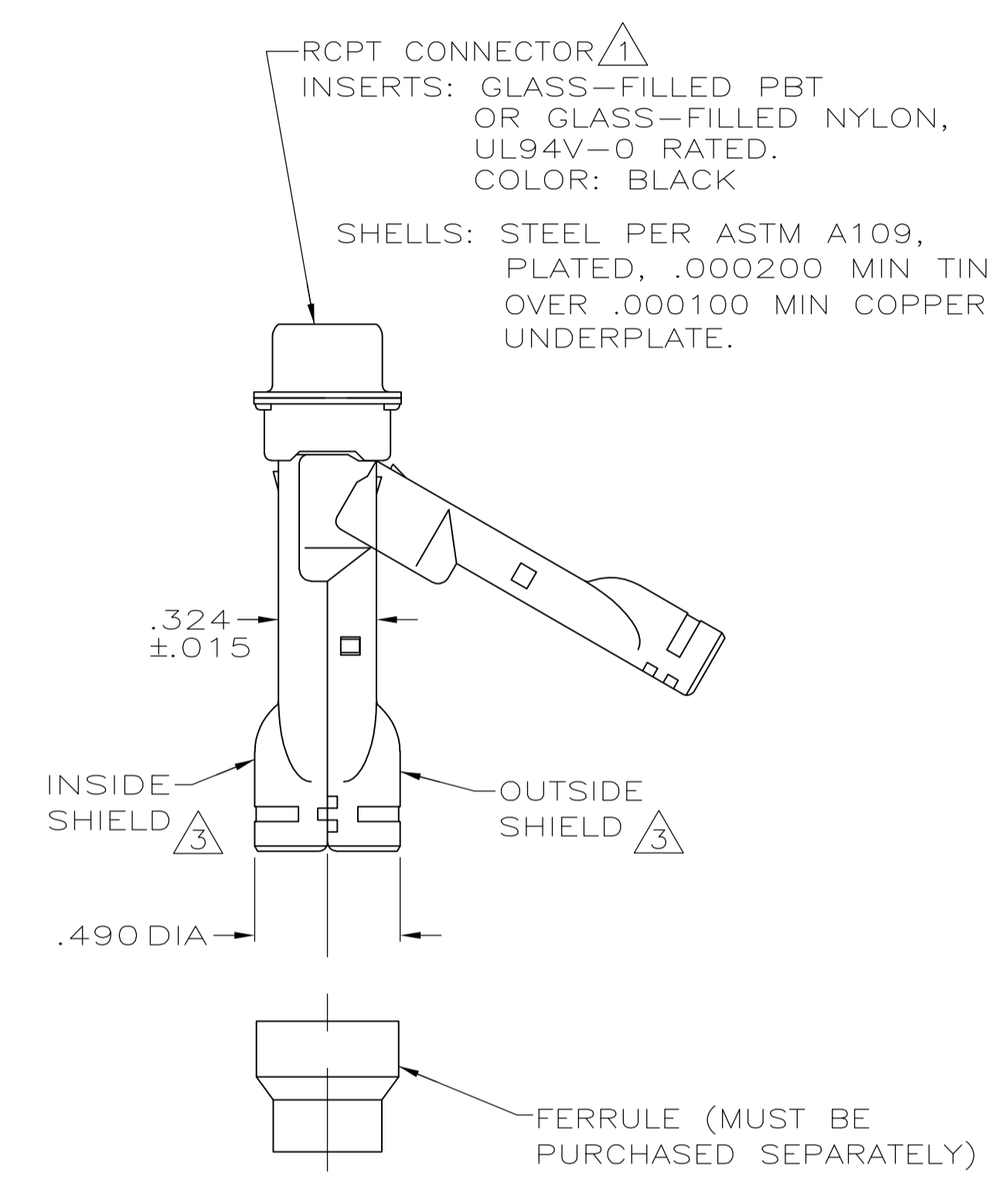
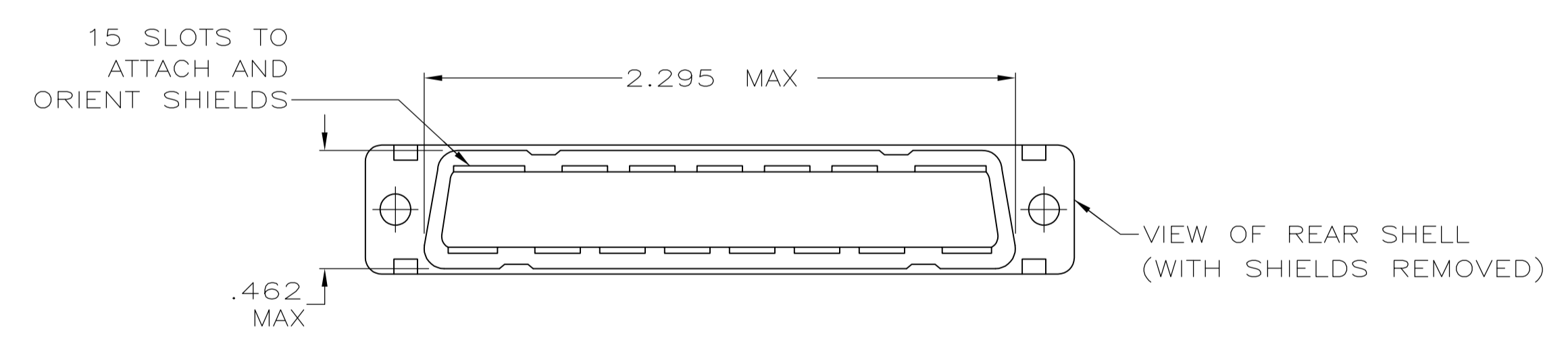
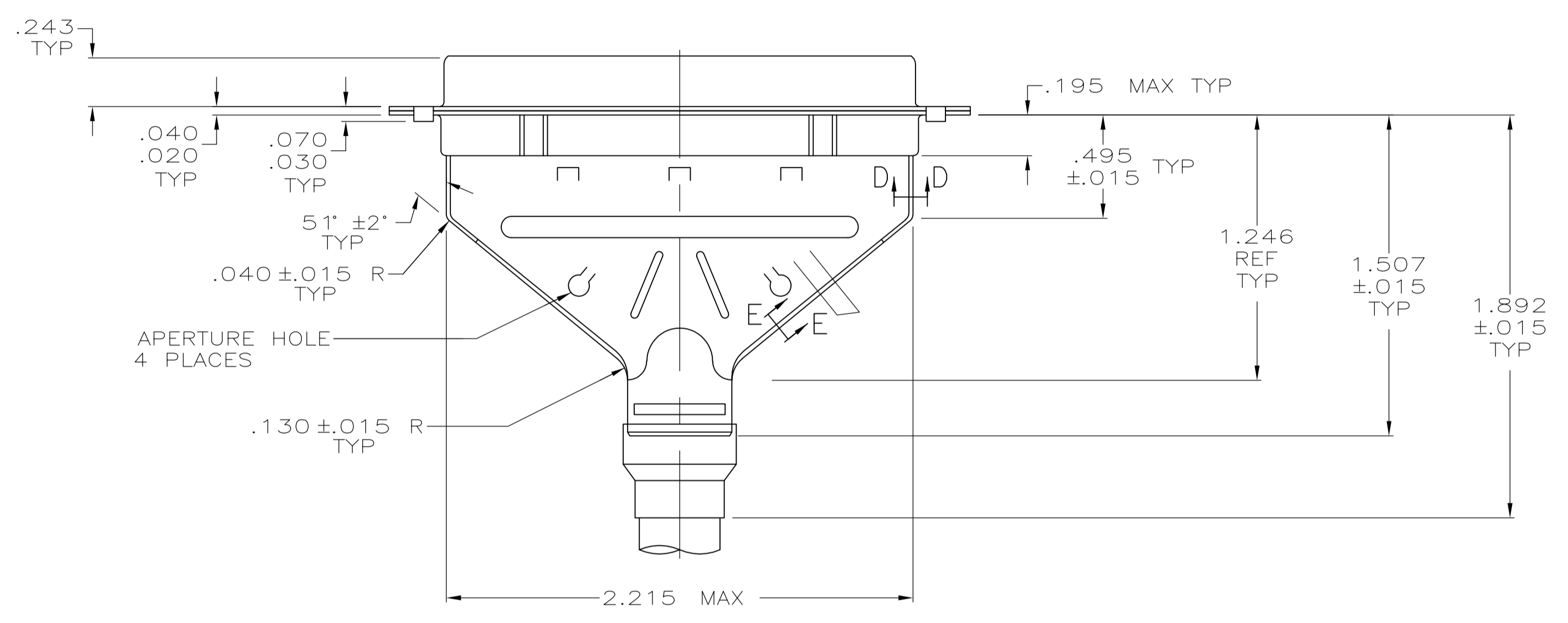
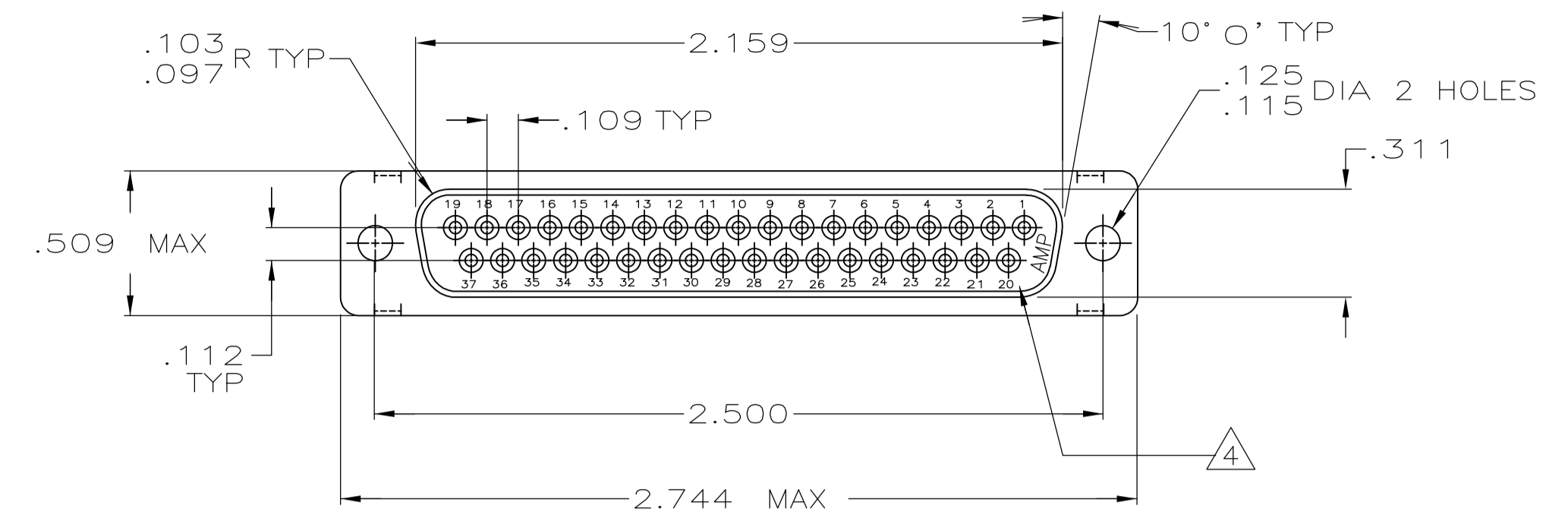


LOC		DIST		REVISIONS			
GP	00	REV	DATE	BY	APPV	DATE	BY
A		REVISED PER ECO-14-011808	09AUG2014	AP	SB		



- 1 RCPT ACCEPTS SIZE 20 SOCKET CONTACTS (CONTACTS MUST BE ORDERED SEPARATELY).
- 2. ALL PARTS SHIPPED UNASSEMBLED, EACH PART INDIVIDUALLY BULK PACKED.
- 3 SHIELDS: MATERIAL—.020 THICK STEEL, PER ASTM A109, PLATED .000200 MIN TIN OVER .000100 MIN COPPER UNDERPLATE.
- 4 RAISED CAVITY IDENTIFICATION AND AMP TRADEMARK.

1658651-1  
PART NUMBER

THIS DRAWING IS A CONTROLLED DOCUMENT.		DIN J. REITZEL 31JUL03	STE TE Connectivity	
DIMENSIONS: INCHES		CHK S. BOLASH 31JUL03	NAME M. WALMSLEY 31JUL03	
TOLERANCES UNLESS OTHERWISE SPECIFIED:		PRODUCT SPEC 108-40030		
0 PLC ± -		APPLICATION SPEC 114-40030		
1 PLC ± -		SIZE A1		
2 PLC ± -		CAGE CODE 00779		
3 PLC ± .005		DRAWING NO 1658651		
4 PLC ± -		RESTRICTED TO CUSTOMER DRAWING		
ANGLES ± # 0° 30°		SCALE 2:1		
MATERIAL SEE CALL OUT 3		SHEET 1 OF 1		
FINISH SEE CALL OUT 3		REV A		

# Mouser Electronics

Authorized Distributor

Click to View Pricing, Inventory, Delivery & Lifecycle Information:

[TE Connectivity:](#)

[1658651-1](#)