

4

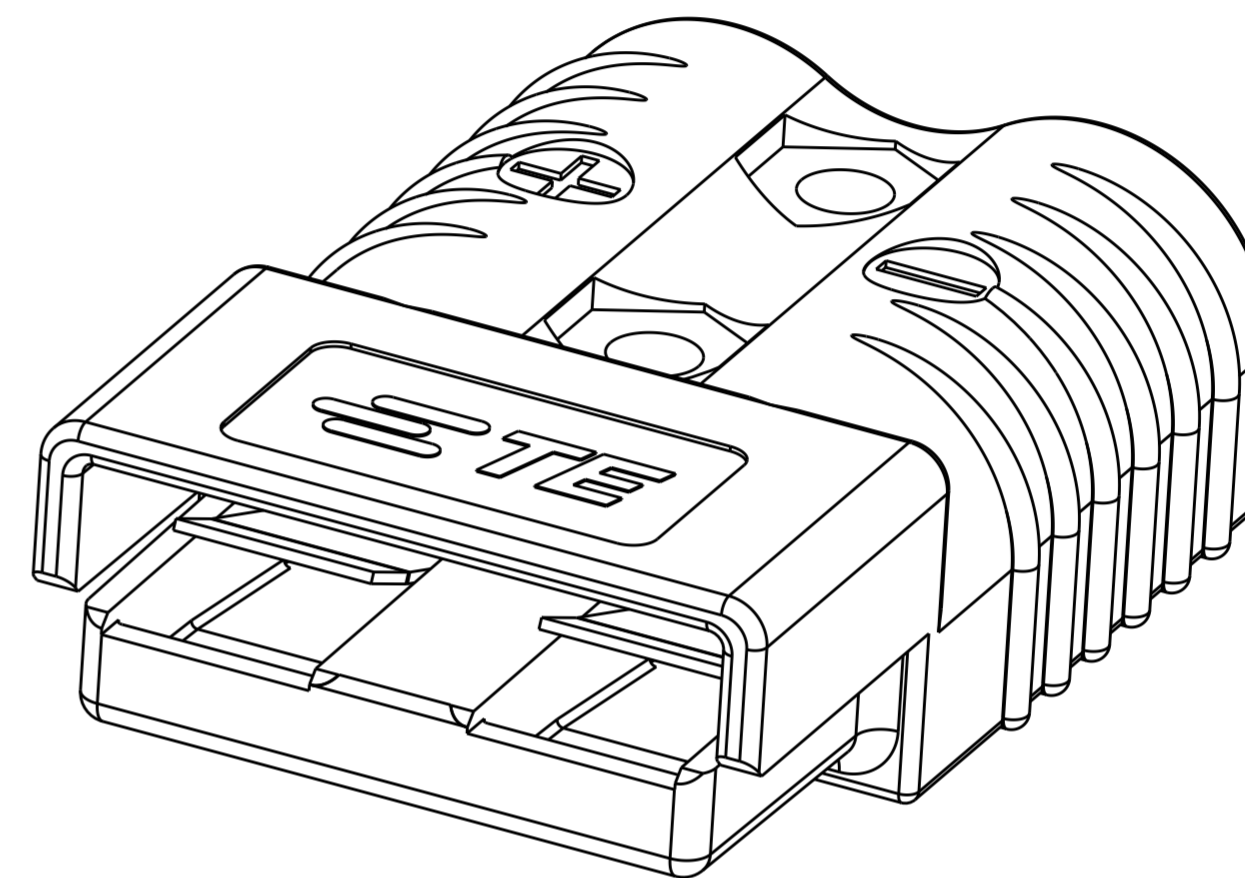
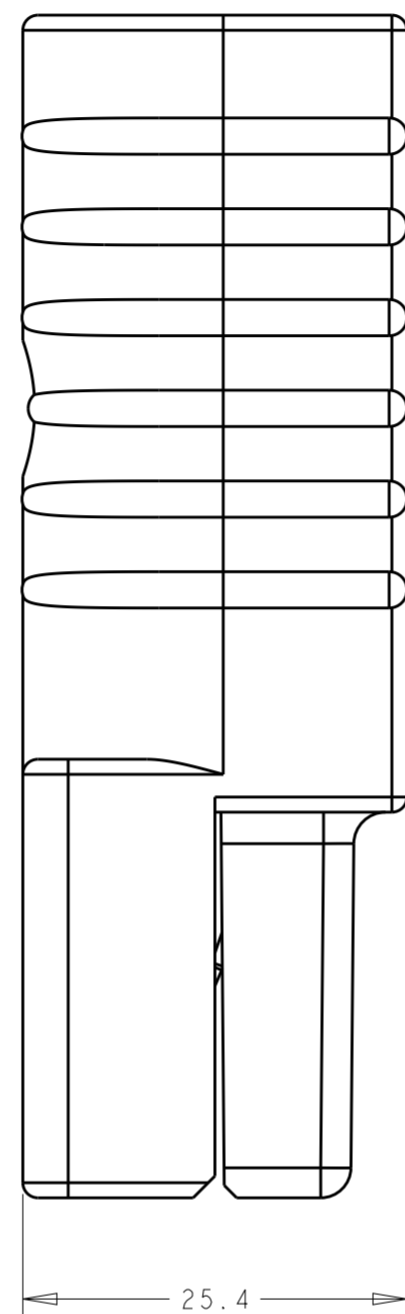
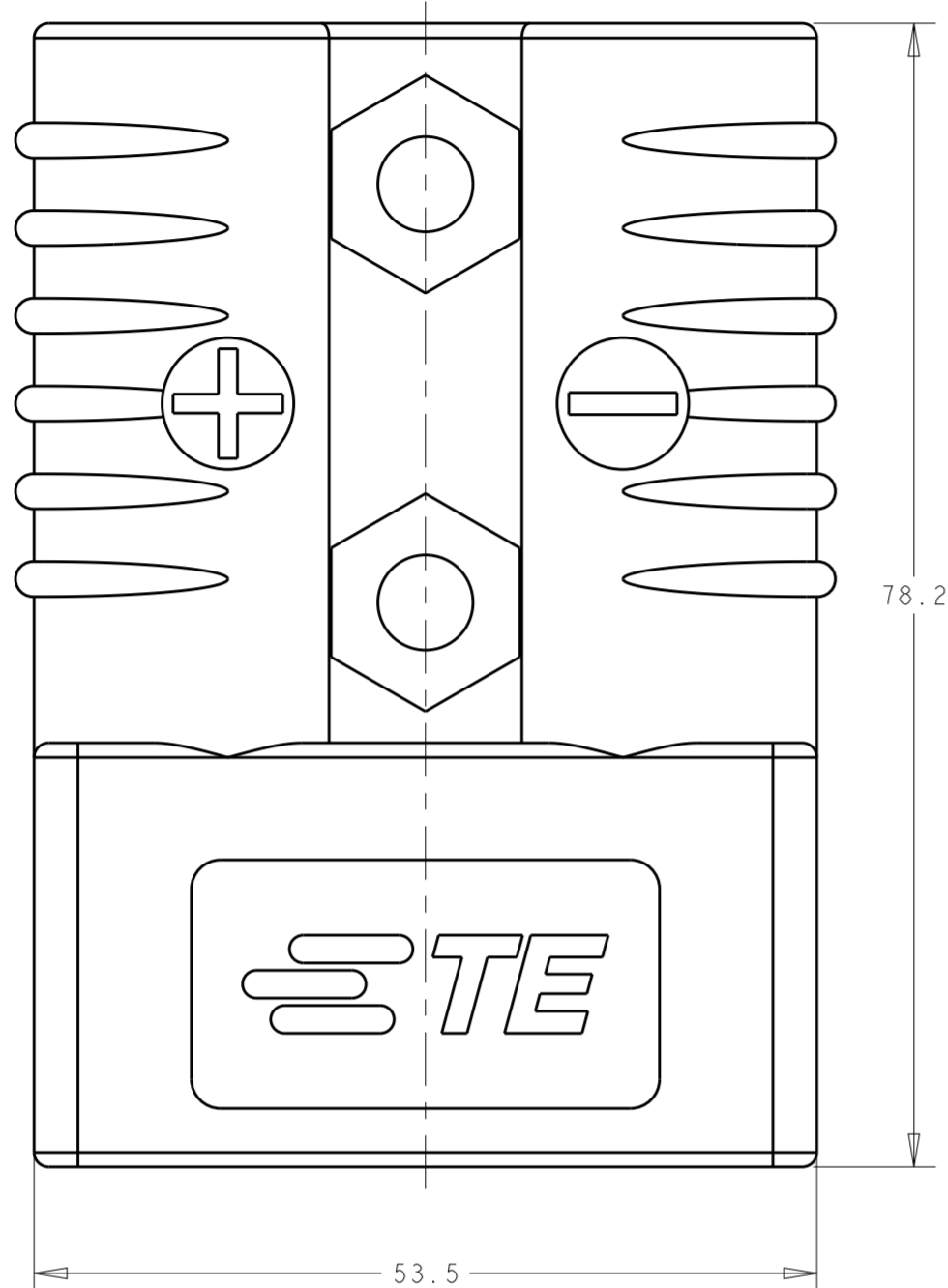
3

2

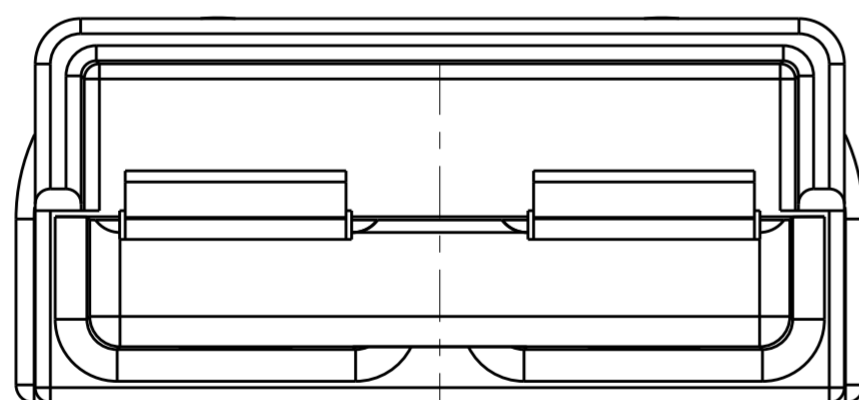
1

THIS DRAWING IS UNPUBLISHED. RELEASED FOR PUBLICATION 20
© COPYRIGHT 20 BY - ALL RIGHTS RESERVED.

LOC	DIST	REVISIONS					
CM	0	P	LTR	DESCRIPTION	DATE	DWN	APVD
		P		REVISED PER ECO-11-005027	18MAR2011	RK	HMR
		P1		REV PER ECR-11-023441	17NOV2011	AY	SZ
		P2		REVISED PER ECR-15-013928	22SEP2015	RS	SZ




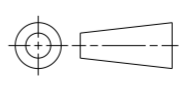
(P2) PART NUMBER: 1604037-1



THIS PRODUCT HAS PASSED VERIFICATION AND AGENCY APPROVALS TESTING AND IS COMPONENT RECOGNIZED PER UL 1977 AND CSA 22.2. TE CONNECTIVITY PRODUCT QUALIFICATION TESTING IS NOT YET COMPLETED.

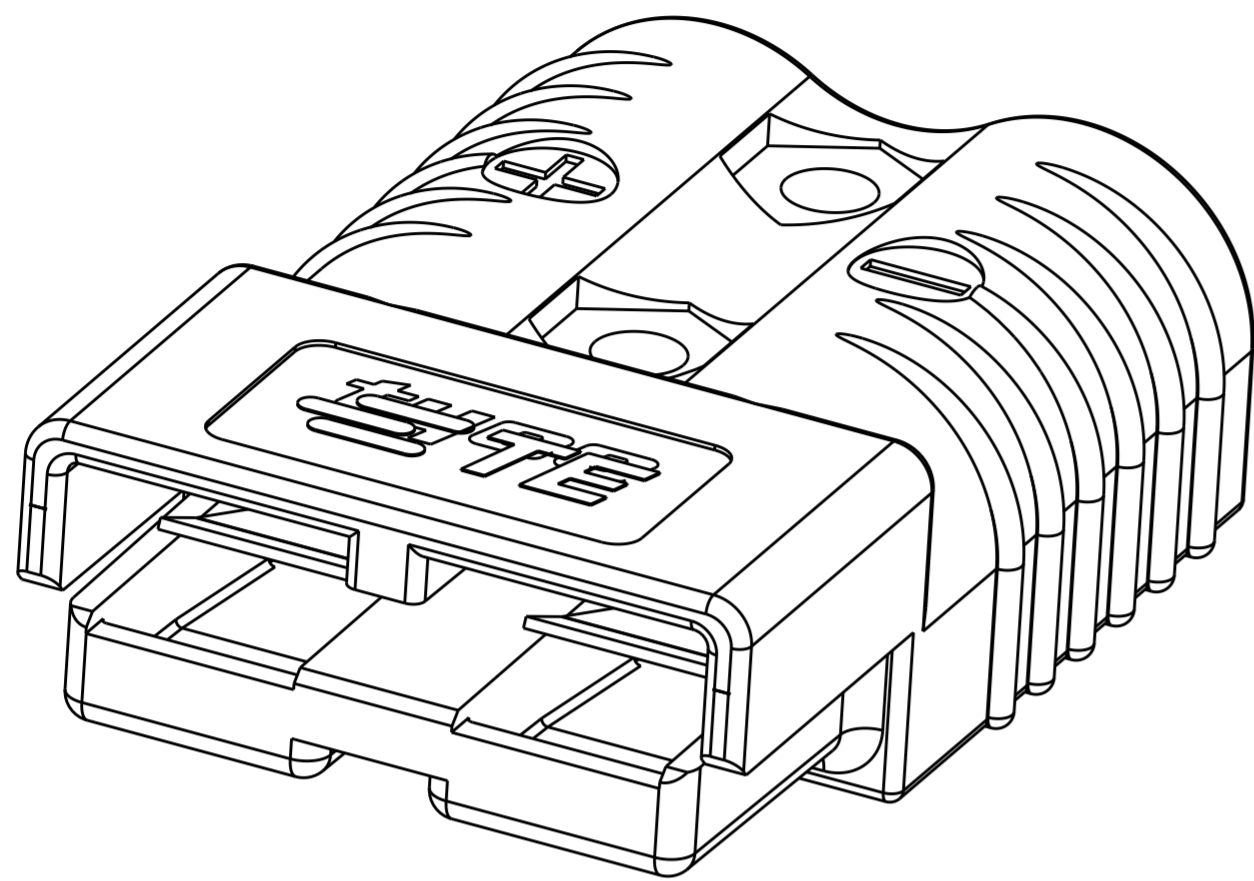
BLACK	1604037-6
BLUE	1604037-5
GRAY	1604037-4
RED	1604037-3
ORANGE	1604037-2
YELLOW	1604037-1
HOUSING COLOR	ASSEMBLY PART NO

METRIC

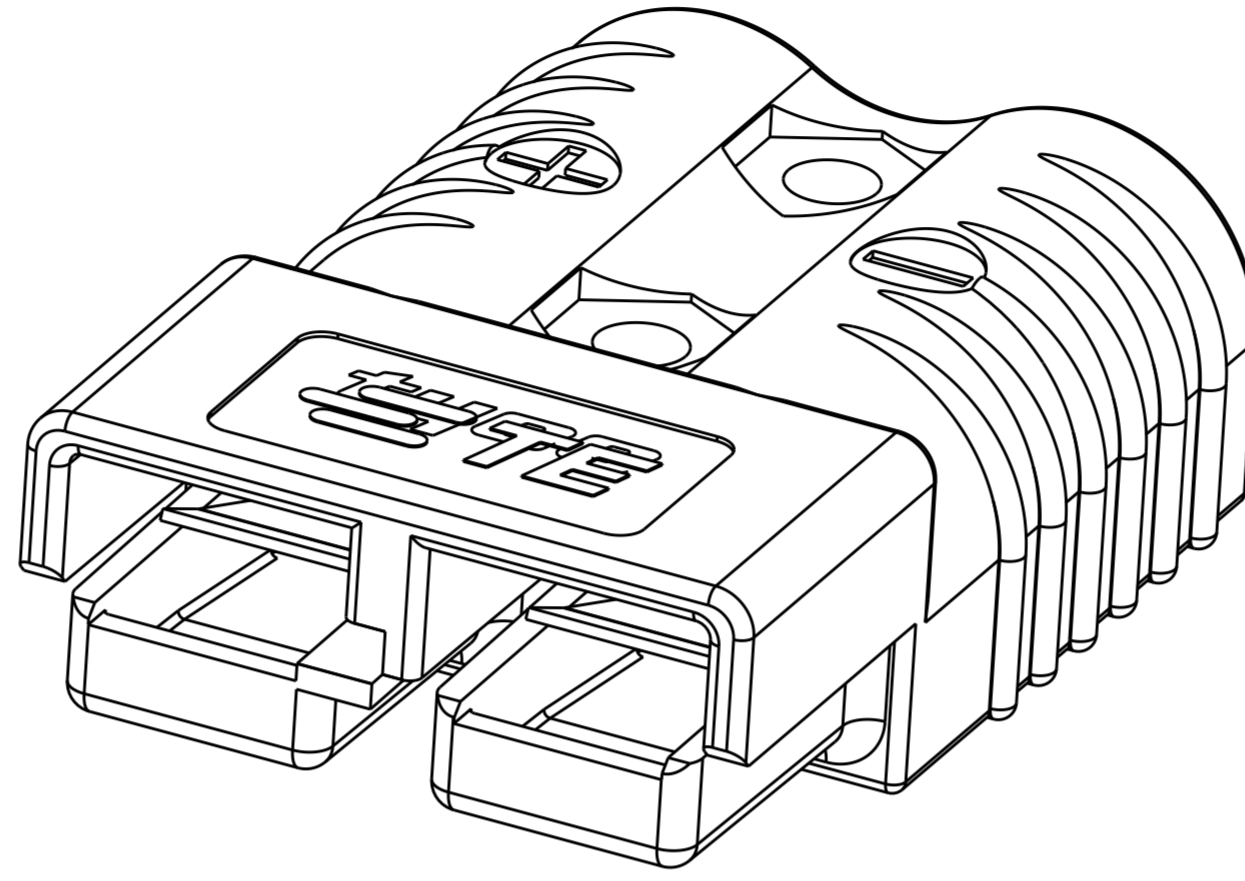
THIS DRAWING IS A CONTROLLED DOCUMENT.		DWN B. D. YOHN 12DEC2001	 TE Connectivity		
DIMENSIONS: mm		CHK W. BERNHART 12DEC2001			
TOLERANCES UNLESS OTHERWISE SPECIFIED:		APVD J. A. FUJIMORI 12DEC2001	NAME SUB-ASSY, HOUSING W/ SPRING, AMP POWER SERIES 175		
0 PLC ±0.13		PRODUCT SPEC	RESTRICTED TO		
1 PLC ±0.13		APPLICATION SPEC	SIZE	CAGE CODE	DRAWING NO
2 PLC ±0.13		WEIGHT	A200779	C-1604037	
3 PLC ±0.13		MATERIAL	CUSTOMER DRAWING		
4 PLC ±0.13		FINISH	SCALE	SHEET	REV
ANGLES ±		2:1	1 OF 2	P2	

THIS DRAWING IS UNPUBLISHED. RELEASED FOR PUBLICATION 20
 © COPYRIGHT 20 BY - ALL RIGHTS RESERVED.

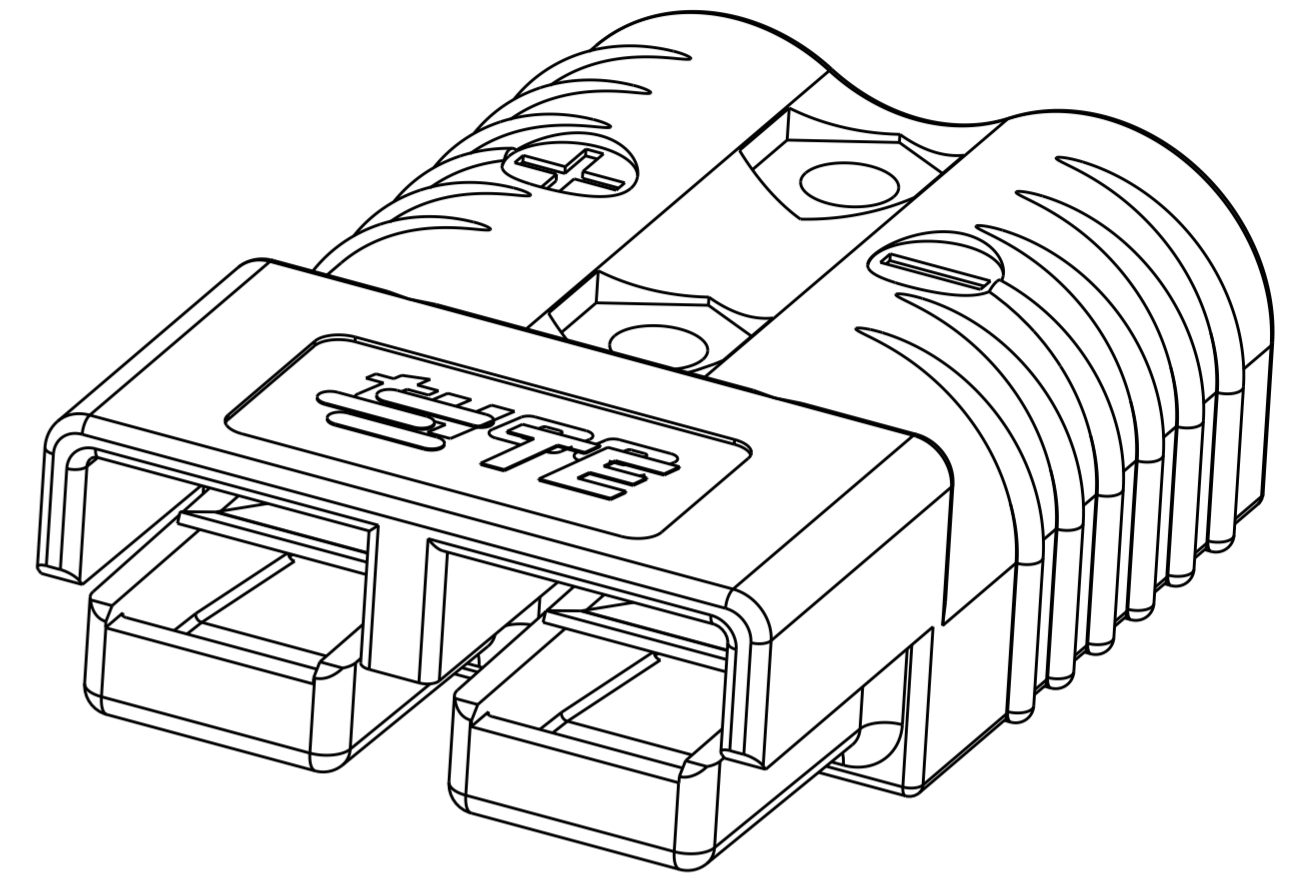
LOC	DIST	REVISIONS					
CM	0	P	LTR	DESCRIPTION	DATE	DWN	APVD
		-		SEE SHEET 1			



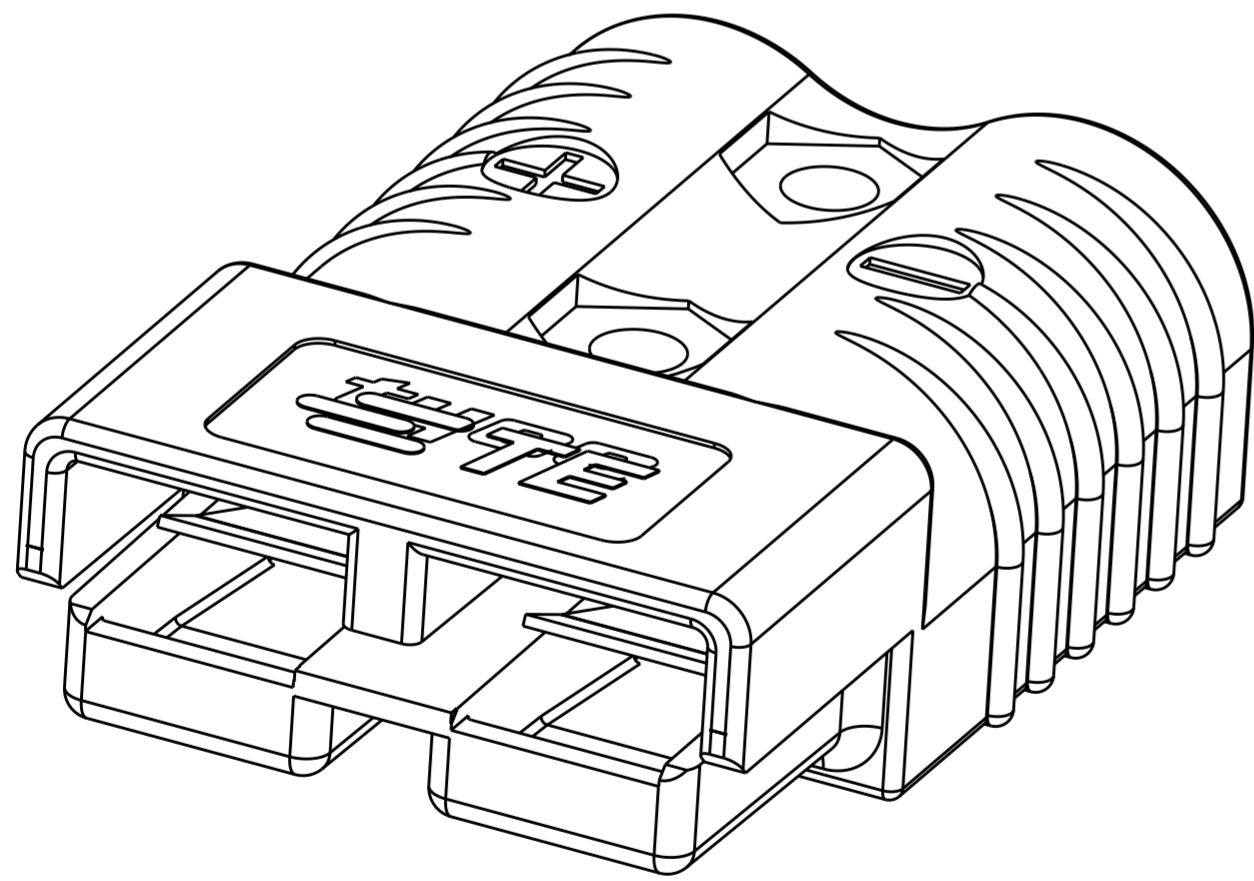
(P2) PART NUMBER: 1604037-2



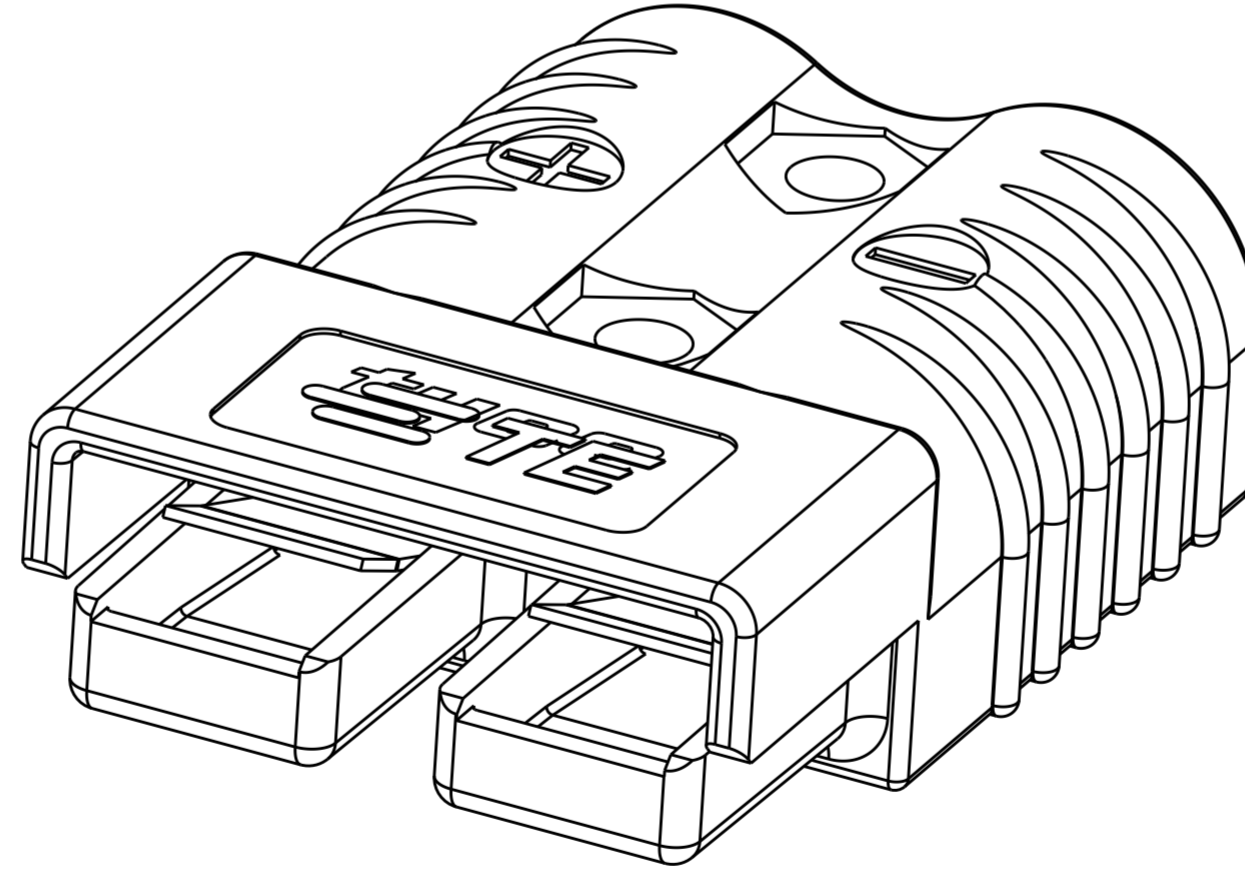
(P2) PART NUMBER: 1604037-3



(P2) PART NUMBER: 1604037-4



(P2) PART NUMBER: 1604037-5



(P2) PART NUMBER: 1604037-6

THIS DRAWING IS A CONTROLLED DOCUMENT.		DWN B. D. YOHN 12DEC2001		
		CHK W. BERNHART 12DEC2001		
		APVD J. A. FULPONT 12DEC2001	NAME SUB-ASSY, HOUSING W/ SPRING, AMP POWER SERIES 175	
DIMENSIONS: mm		PRODUCT SPEC -	SIZE A200779	CAGE CODE C-1604037
TOLERANCES UNLESS OTHERWISE SPECIFIED: 0 PLC ±0.13 1 PLC ±0.13 2 PLC ±0.13 3 PLC ±0.13 4 PLC ± ANGLES ± FINISH		APPLICATION SPEC -	RESTRICTED TO -	
MATERIAL -		WEIGHT -	SCALE 2:1	SHEET 2 OF 2
		CUSTOMER DRAWING	REV P2	

Mouser Electronics

Authorized Distributor

Click to View Pricing, Inventory, Delivery & Lifecycle Information:

[TE Connectivity:](#)

[1604037-4](#)