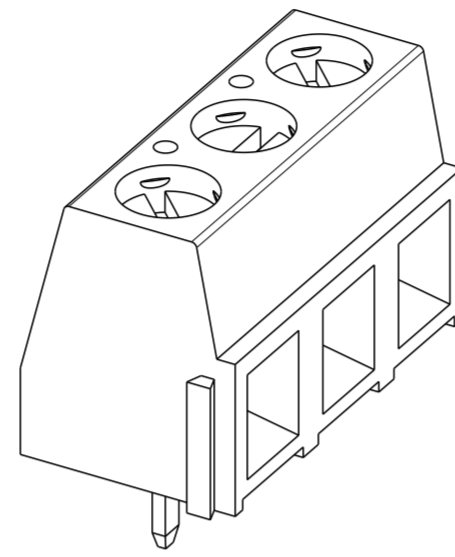
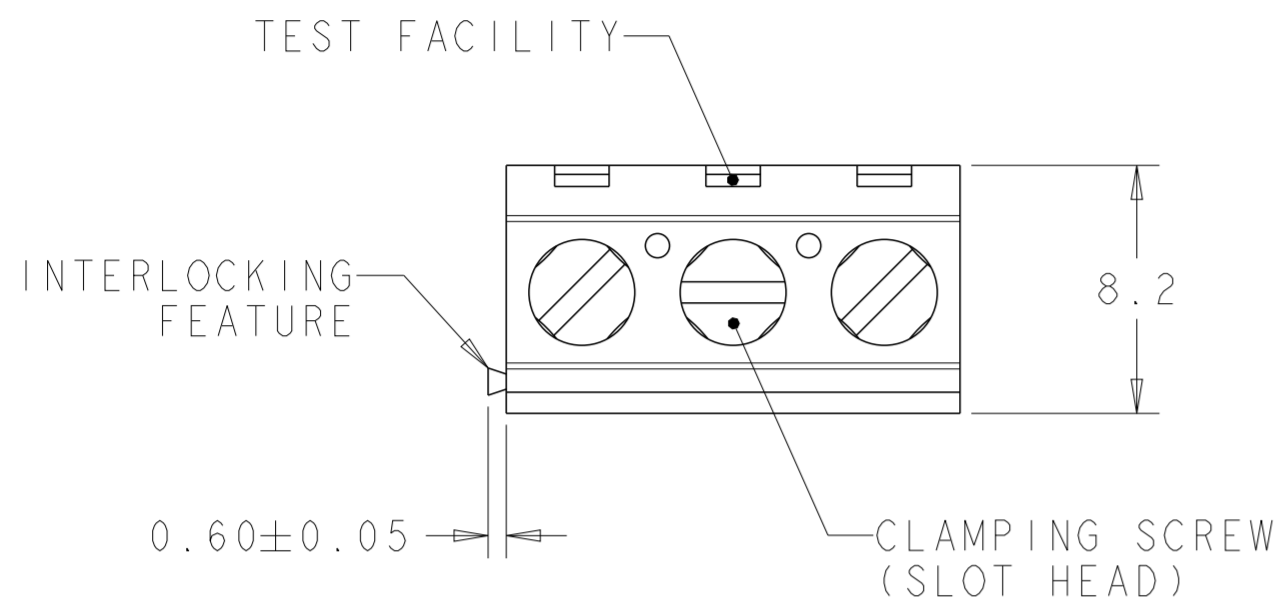
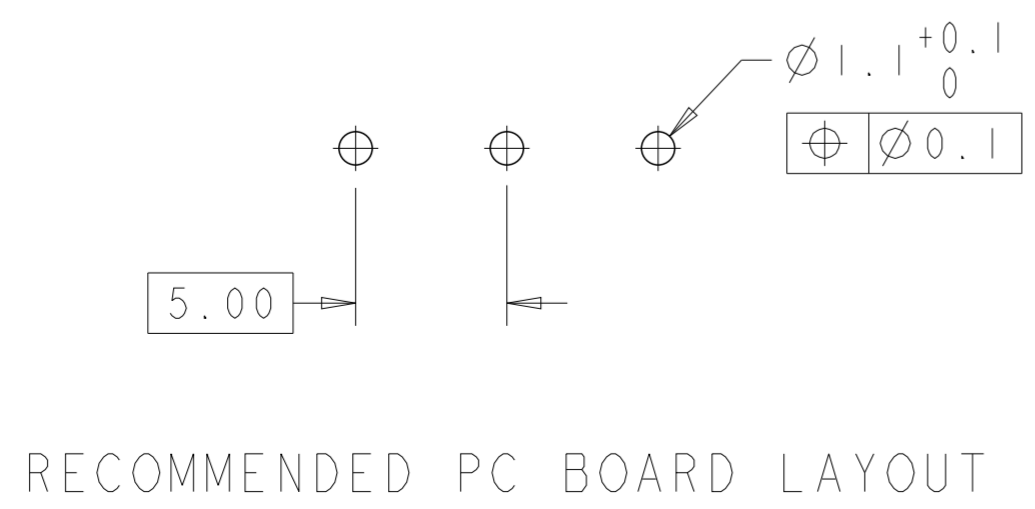
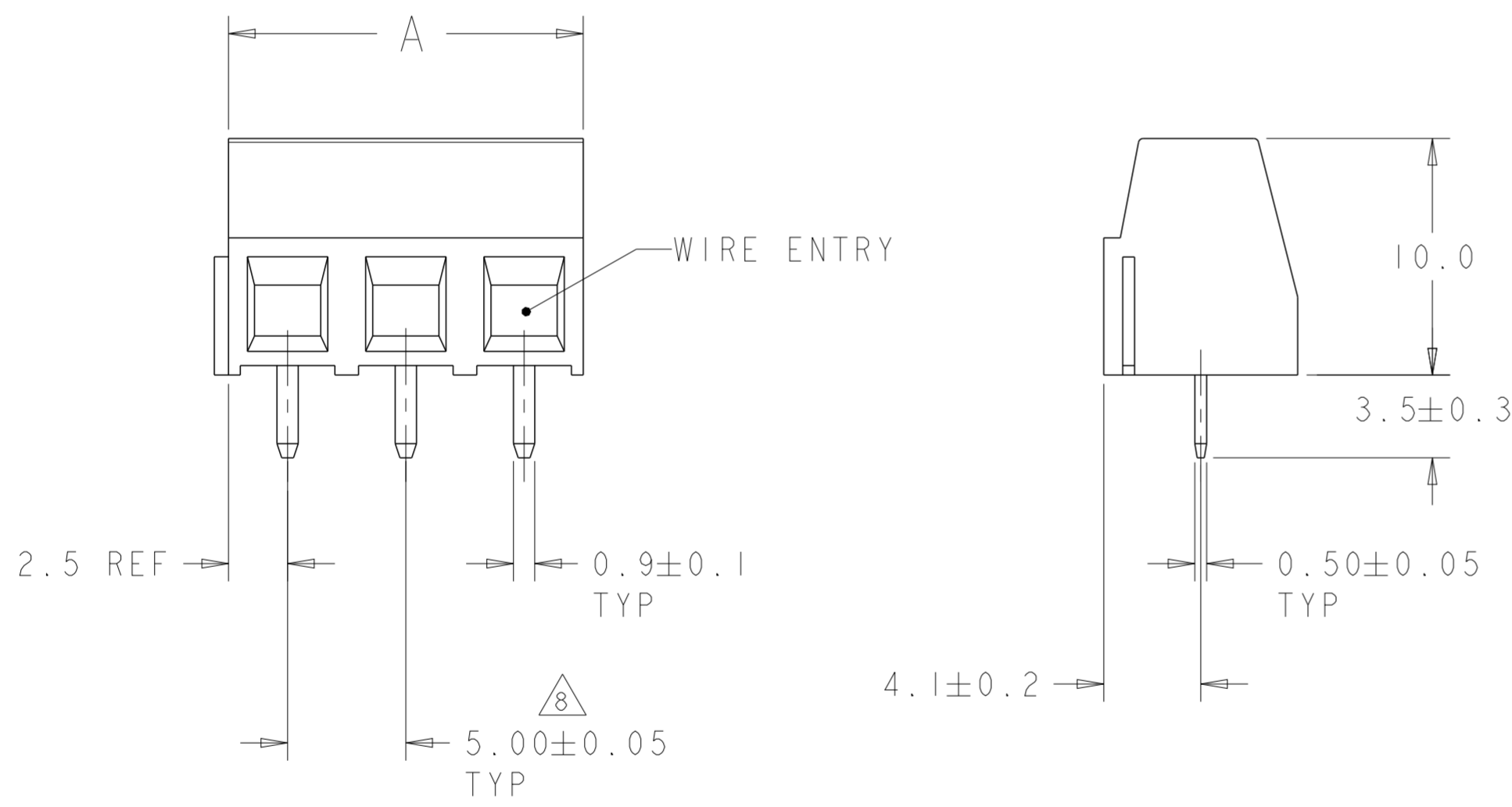
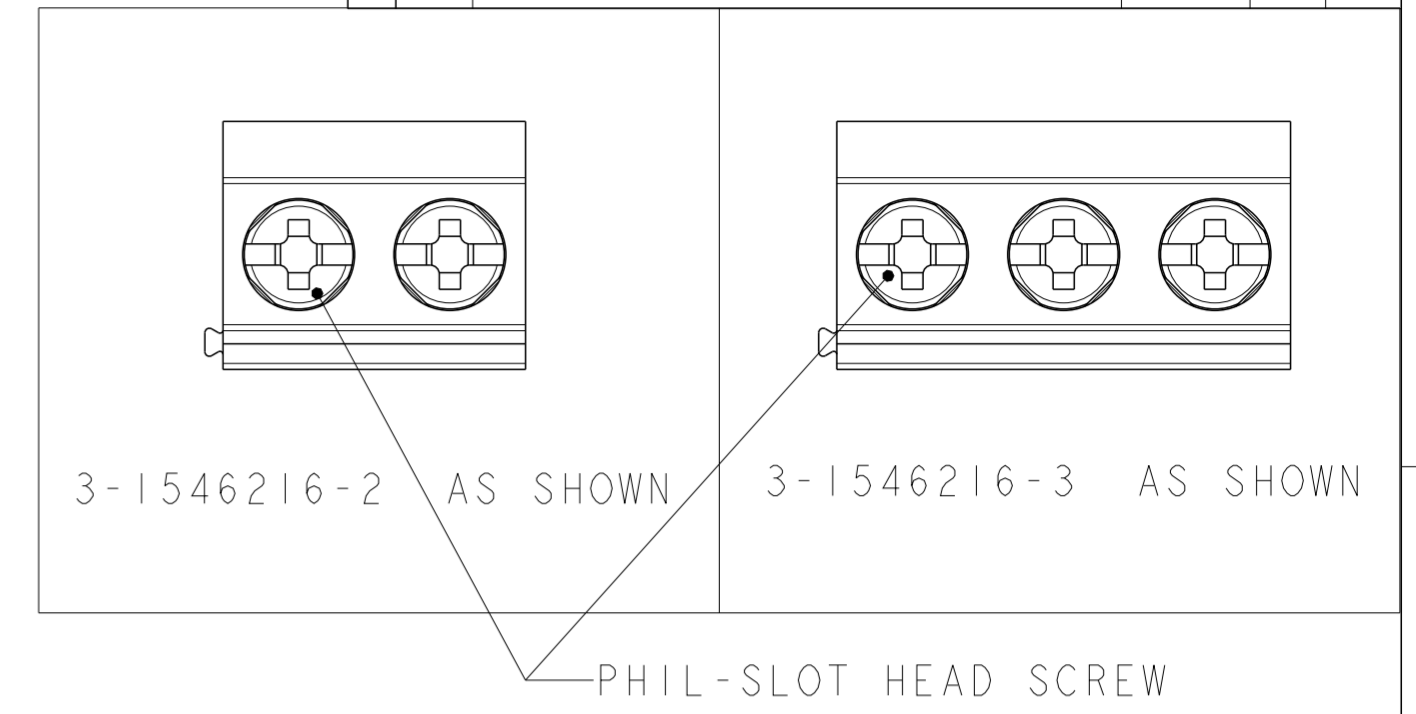


THIS DRAWING IS UNPUBLISHED. RELEASED FOR PUBLICATION 20
 © COPYRIGHT 20 BY - ALL RIGHTS RESERVED.

REVISIONS					
P	LTR	DESCRIPTION	DATE	DWN	APVD
	B1	PARTS 3-2 AND 3-3 ARE ADDED	18APR2018	RK	PS



1546216-3 AS SHOWN



	9	9	
	15.0	3	3-1546216-3
	10.0	2	3-1546216-2
OBSOLETE	125.0	25	2-1546216-5
	120.0	24	2-1546216-4
	115.0	23	2-1546216-3
	110.0	22	2-1546216-2
	105.0	21	2-1546216-1
	100.0	20	2-1546216-0
	95.0	19	1-1546216-9
	90.0	18	1-1546216-8
	85.0	17	1-1546216-7
	80.0	16	1-1546216-6
OBSOLETE	75.0	15	1-1546216-5
	70.0	14	1-1546216-4
	65.0	13	1-1546216-3
	60.0	12	1-1546216-2
	55.0	11	1-1546216-1
	50.0	10	1-1546216-0
OBSOLETE	45.0	9	1546216-9
	40.0	8	1546216-8
	35.0	7	1546216-7
	30.0	6	1546216-6
	25.0	5	1546216-5
	20.0	4	1546216-4
	15.0	3	1546216-3
	10.0	2	1546216-2
A	NO OF POSN	PART NUMBER	

THIS DRAWING IS A CONTROLLED DOCUMENT.

DWN S. WELDON 27FEB2004
 CHK C. RICHARD 27FEB2004
 APVD C. RICHARD 27FEB2004

TE Connectivity

NAME TB, PCB MOUNT, SIDE WIRE ENTRY, STACK W/INTERLOCK, 5.00mm PITCH

PRODUCT SPEC 108-20166
 APPLICATION SPEC 114-20079

SIZE A2 CAGE CODE 00779 DRAWING NO C-1546216 RESTRICTED TO -
 WEIGHT - SCALE 4:1 SHEET 1 OF 2 REV B1


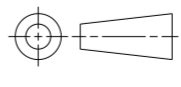

CUSTOMER DRAWING

THIS DRAWING IS UNPUBLISHED. RELEASED FOR PUBLICATION 20
 © COPYRIGHT 20 BY - ALL RIGHTS RESERVED.

REVISIONS				
P	LTR	DESCRIPTION	DATE	APVD
-		SEE SHEET 1	-	-

NOTES:

- 1. MATERIALS AND FINISH
 HOUSING: PA 6-6, UL 94-V0, COLOR GRAY.
 CLAMP: BRASS, NICKEL PLATED.
 TERMINAL: BRASS, TIN PLATED.
 CLAMPING SCREW: M3, BRASS, NICKEL PLATED.
- 2. MECHANICAL
 WIRE STRIPPING LENGTH : 5.0-6.0 mm
 MIN. PC BOARD HOLES DIAMETER : 1.1 mm
 MAX. PC BOARD THICKNESS : 2.4 mm
 RECOMMENDED TIGHTENING TORQUE FOR SCREW: 0.5 Nm.
- 3. ELECTRICAL
 WIRE SIZE RANGE : 16-30 AWG.
 MAX. VOLTAGE : 300 V
 MAX CURRENT : 13.5 A
 CONTACT RESISTANCE : <15 m Ohm
 INSULATION RESISTANCE : >1000 M Ohm (500V DC)
- 4. OPERATING TEMPERATURE RANGE: -40°C TO +110°C
- 5. END-TO-END STACKABLE W/INTERLOCK WITHOUT LOSS OF CENTERLINE SPACING.
- 6. RECOGNIZED UNDER THE COMPONENT PROGRAM OF UNDERWRITERS LABORATORIES INC., FILE NO E60677.
- 7. PACKED IN TRAY.
- 8. NOT CUMULATIVE TOLERANCE.
- 9. PHIL-SLOT HEAD SCREW: M3, BRASS, NICKEL PLATED.

THIS DRAWING IS A CONTROLLED DOCUMENT.		DWN S. WELDON 27FEB2004	 TE Connectivity	
DIMENSIONS: mm		CHK C. RICHARD 27FEB2004		
TOLERANCES UNLESS OTHERWISE SPECIFIED: 0 PLC ± 1 PLC ±0.3 2 PLC ±0.25 3 PLC ± 4 PLC ± ANGLES ±2° FINISH		APVD C. RICHARD 27FEB2004	NAME TB, PCB MOUNT, SIDE WIRE ENTRY, STACK W/INTERLOCK, 5.00mm PITCH	
		PRODUCT SPEC 108-20166	RESTRICTED TO -	
MATERIAL		APPLICATION SPEC 114-20079	SIZE A2	CAGE CODE 00779
		WEIGHT -	DRAWING NO C-1546216	SCALE 4:1
		CUSTOMER DRAWING	SHEET 2	OF 2
			REV B1	

Mouser Electronics

Authorized Distributor

Click to View Pricing, Inventory, Delivery & Lifecycle Information:

[TE Connectivity:](#)

[1546216-3](#)