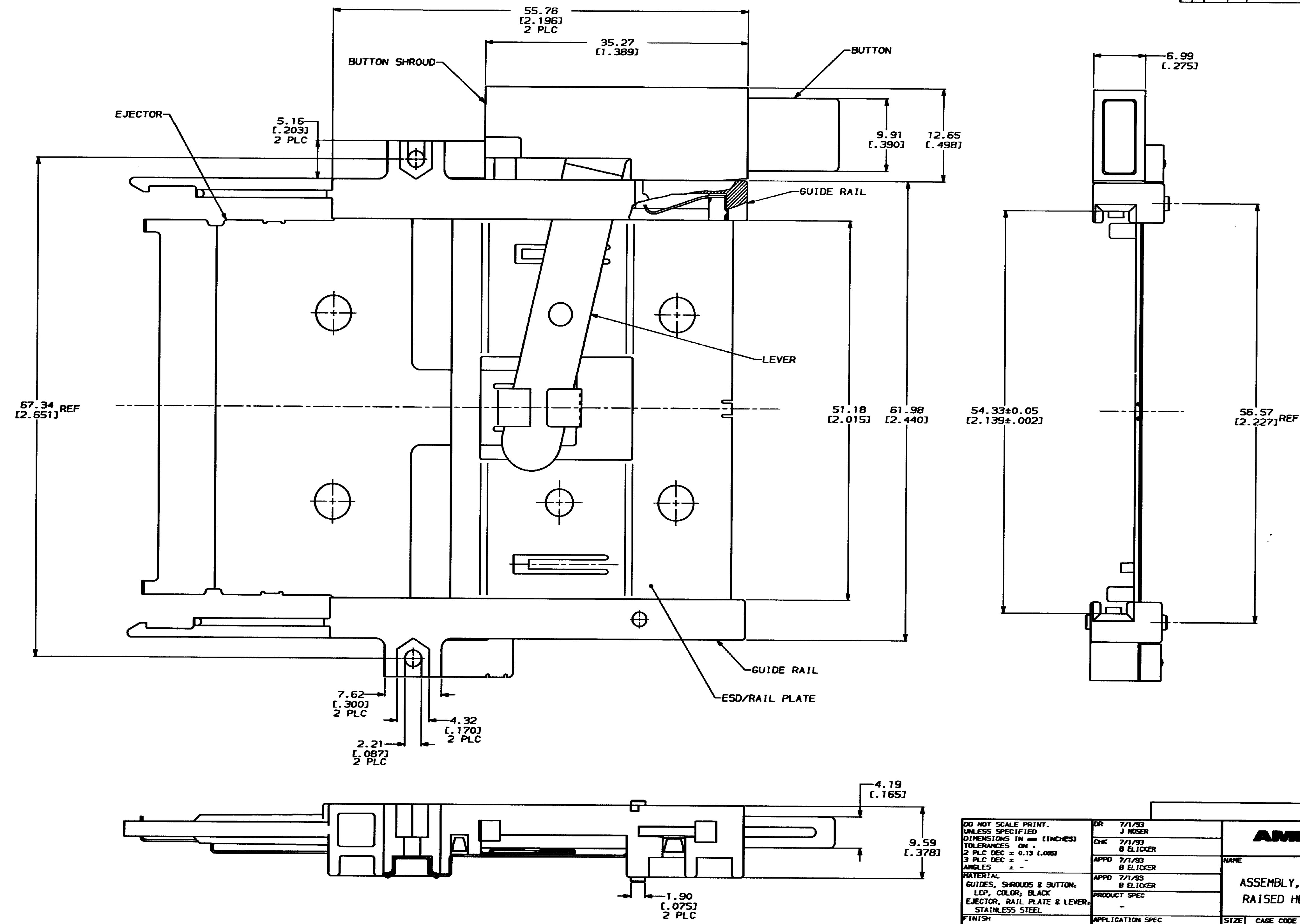


THIS DRAWING IS UNPUBLISHED. RELEASED FOR PUBLICATION BY AMP INCORPORATED. ALL INTERNATIONAL RIGHTS RESERVED. © COPYRIGHT 1979

LOC		DIST		REV		REVISIONS		DATE	APPD
AD	39								
						0	RELEASED PER PPR	7/1/93	BE



THIS DRAWING IS A CONTROLLED DOCUMENT FOR AMP INCORPORATED. IT IS SUBJECT TO CHANGE AND THE CONTROLLING ENGINEERING ORGANIZATION SHOULD BE CONTACTED FOR THE LATEST REVISION.

DO NOT SCALE PRINT. UNLESS SPECIFIED DIMENSIONS IN mm (INCHES) TOLERANCES ON + 2 PLC DEC ± 0.13 (.005) 3 PLC DEC ± - ANGLES ± - MATERIAL GUIDES, SHROUDS & BUTTON: LCP, COLOR: BLACK EJECTOR, RAIL PLATE & LEVER: STAINLESS STEEL FINISH -	DR 7/1/93 J MOSER CHK 7/1/93 B ELICKER APPD 7/1/93 B ELICKER APPD 7/1/93 B ELICKER PRODUCT SPEC - APPLICATION SPEC - WEIGHT 18.1 GRAMS
---	--

146022-1		PART NO	
AMP Incorporated Morgantown, PA 17105-3608			
NAME ASSEMBLY, EJECTOR, RIGHT BUTTON, RAISED HEIGHT, AMP MEMORY CARD			
SIZE D	CAGE CODE 00779	DRAWING NO C-146022	
SCALE 4:1	SHEET 1 OF 2		

CUSTOMER DRAWING

THIS DRAWING IS UNPUBLISHED. RELEASED FOR PUBLICATION .19  
 © COPYRIGHT 19 BY AMP INCORPORATED. ALL INTERNATIONAL RIGHTS RESERVED.

LOC	DISP	REV	ZONE	LTR	DESCRIPTION	DATE	APPD
AD	39	0			SEE SHEET ONE	-	-

- ▲ HEADER MOUNTING HOLE LOCATIONS
- ▲ DATUMS & BASIC DIMENSIONS ESTABLISHED BY CUSTOMER.
- 3. ASSEMBLY REQUIRES USE OF 2-SIZE 2M SCREWS FOR FASTENING TO PRINTED CIRCUIT BOARD.

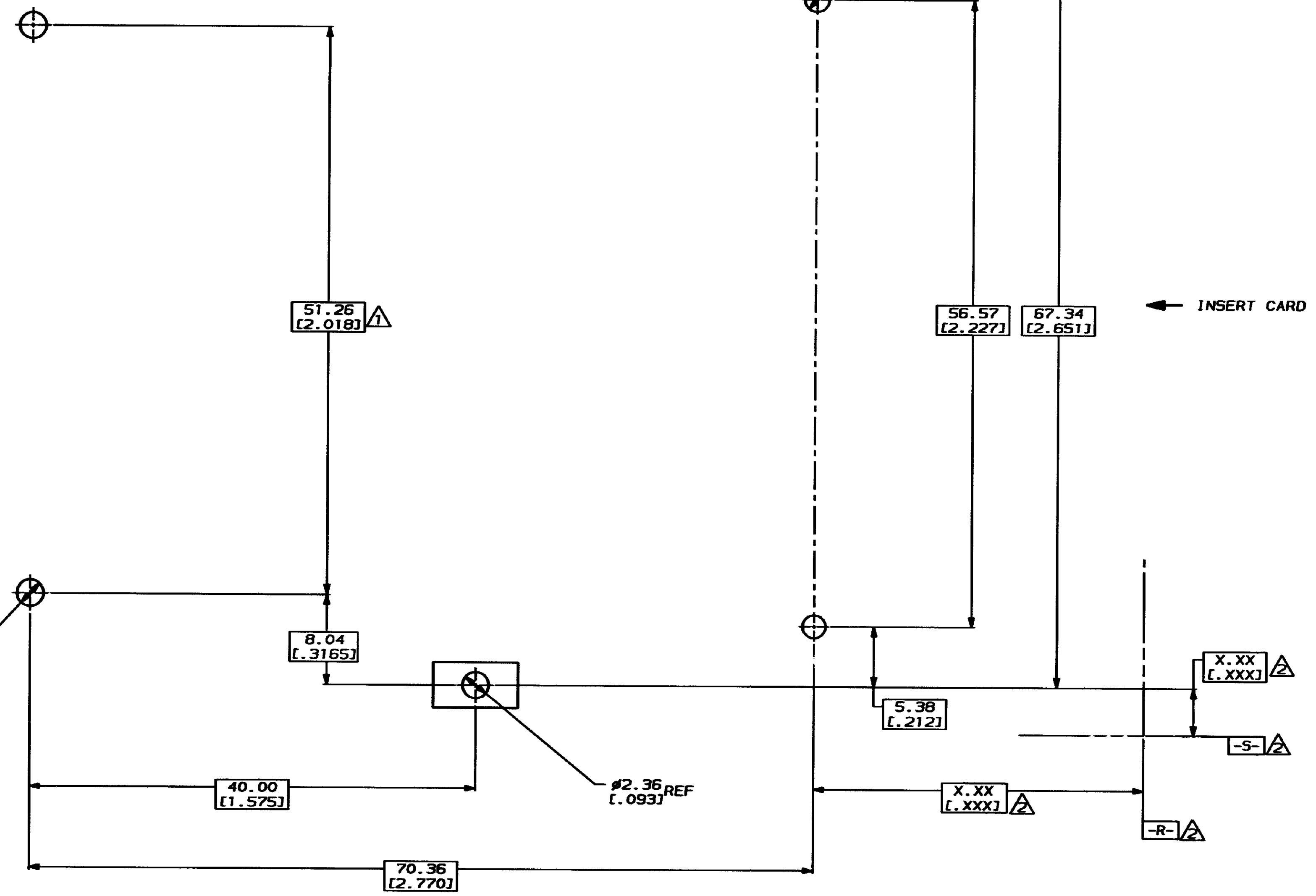
▲ #2.36±0.05  
 [L.093±.002]  
 [R]S  
 2 PLC

▲ #2.36±0.05  
 [L.093±.002]  
 [R]S  
 2 PLC

7.62 2 PLC  
 [L.300]  
 [R]S  
 0.25 [L.010] [R]S

4.06 2 PLC  
 [L.160]  
 [R]S  
 0.25 [L.010] [R]S

▲ #2.18±0.05  
 [L.086±.002]  
 [R]S  
 4 PLC  
 0.08 [L.003] [R]S



RECOMMENDED BOARD LAYOUT

THIS DRAWING IS A CONTROLLED DOCUMENT FOR AMP INCORPORATED. IT IS SUBJECT TO CHANGE AND THE CONTROLLING ENGINEERING ORGANIZATION SHOULD BE CONTACTED FOR THE LATEST REVISION.

DO NOT SCALE PRINT. UNLESS SPECIFIED DIMENSIONS IN mm [INCHES]		PART NO	
TOLERANCES ON:	DR 7/1/93 J MOSER	AMP AMP Incorporated Harrisburg, PA 17105-3608	
2 PLC DEC ± 0.13 [L.005]	CHK 7/1/93 B ELICKER	NAME ASSEMBLY, EJECTOR, RIGHT BUTTON, RAISED HEIGHT, AMP MEMORY CARD	
3 PLC DEC ± -	APPD 7/1/93 B ELICKER		
ANGLES ± -	APPD 7/1/93 B ELICKER	SIZE	CAGE CODE
MATERIAL	PRODUCT SPEC	D	00779
FINISH	APPLICATION SPEC	DRAWING NO	C-146022
	WEIGHT	SCALE	4:1
		SHEET	20F2

CUSTOMER DRAWING

# Mouser Electronics

Authorized Distributor

Click to View Pricing, Inventory, Delivery & Lifecycle Information:

[TE Connectivity:](#)

[146022-1](#)