

4

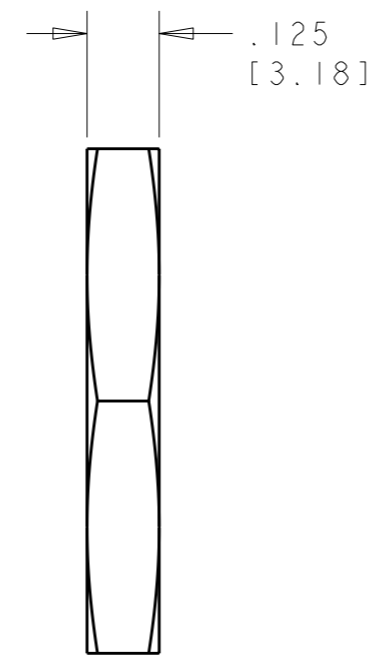
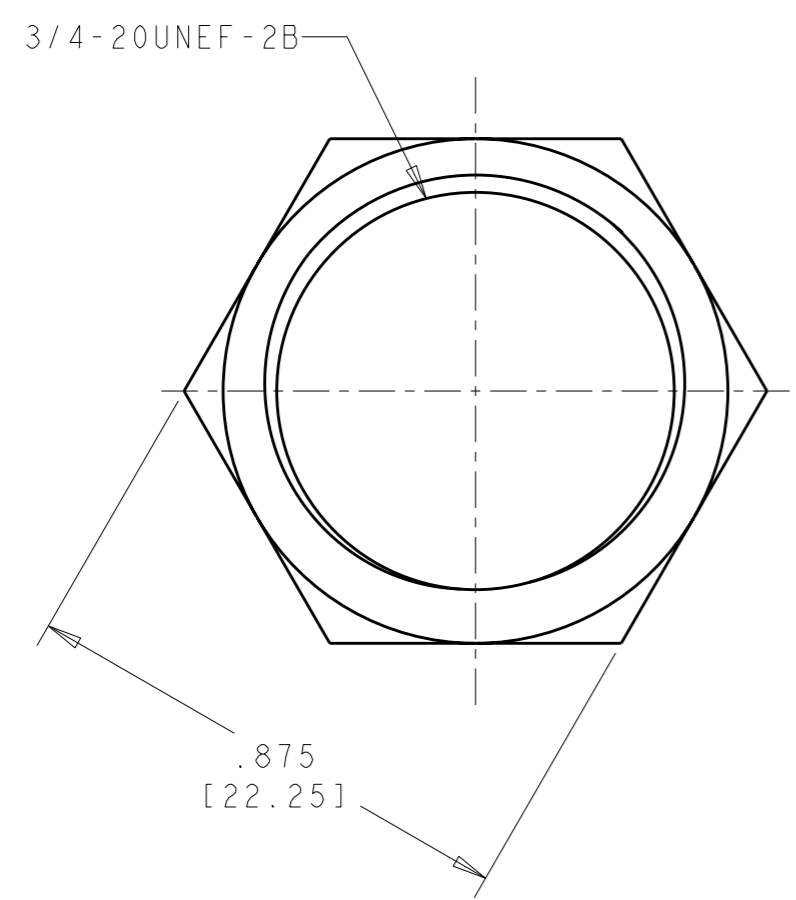
3

2

1

THIS DRAWING IS UNPUBLISHED. RELEASED FOR PUBLICATION 20
 © COPYRIGHT 20 BY TYCO ELECTRONICS CORPORATION. ALL RIGHTS RESERVED.

LOC	DIST	REVISIONS					
FT	0	P	LTR	DESCRIPTION	DATE	DWN	APVD
			A2	REV PER ECR 09-021963	05JAN10	JR	GS



1. BULK PACKAGED IN QTY OF 100.

△2 FINISH: NICKEL OVER COPPER

1445904-1
 PART NUMBER

<small>THIS DRAWING IS A CONTROLLED DOCUMENT FOR TYCO ELECTRONICS CORPORATION IT IS SUBJECT TO CHANGE AND THE CONTROLLING ENGINEERING ORGANIZATION SHOULD BE CONTACTED FOR THE LATEST REVISION.</small>		DWN S. WIEST 17JUN2002 CHK G DOUTY 17JUN2002 APVD H. WAKFFM 18JUL2003	tyco Electronics Tyco Electronics Harrisburg, PA 17105-3608
DIMENSIONS: in [mm]	TOLERANCES UNLESS OTHERWISE SPECIFIED: 0 PLC ±. 1 PLC ±. 2 PLC ±. 3 PLC ±. 4 PLC ±. ANGLES ±.	PRODUCT SPEC - APPLICATION SPEC - WEIGHT -	NAME JAM NUT, MINI CPC - - SIZE A3 CAGE CODE 00779 DRAWING NO C-1445904 RESTRICTED TO -
MATERIAL BRASS	FINISH - △2	CUSTOMER DRAWING	SCALE 3:1 SHEET 1 OF 1 REV A2

Mouser Electronics

Authorized Distributor

Click to View Pricing, Inventory, Delivery & Lifecycle Information:

[TE Connectivity:](#)

[1445904-1](#)