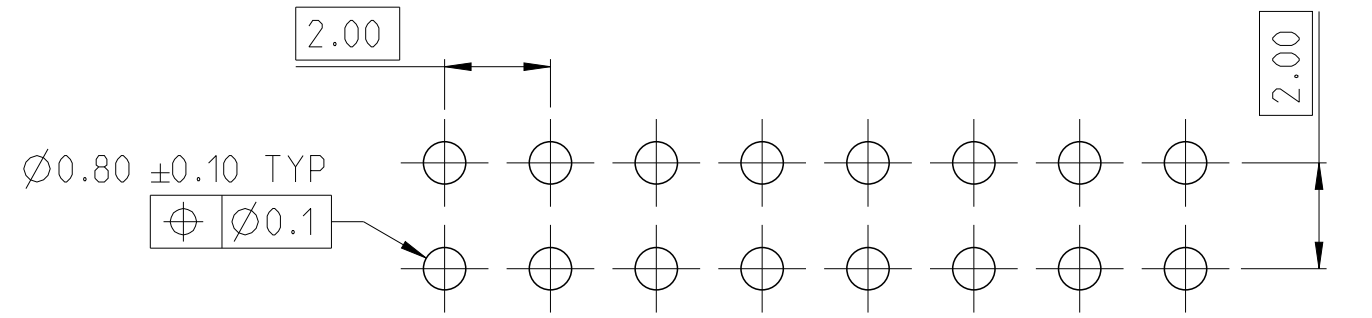
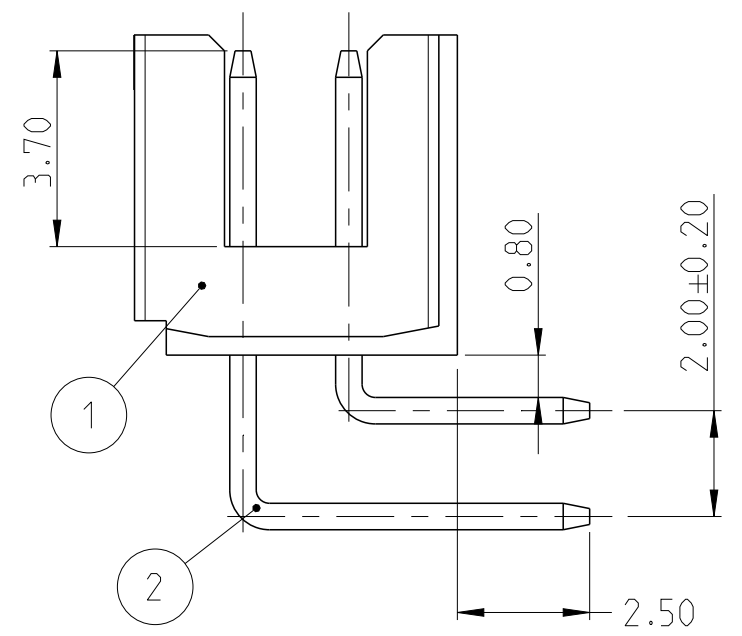
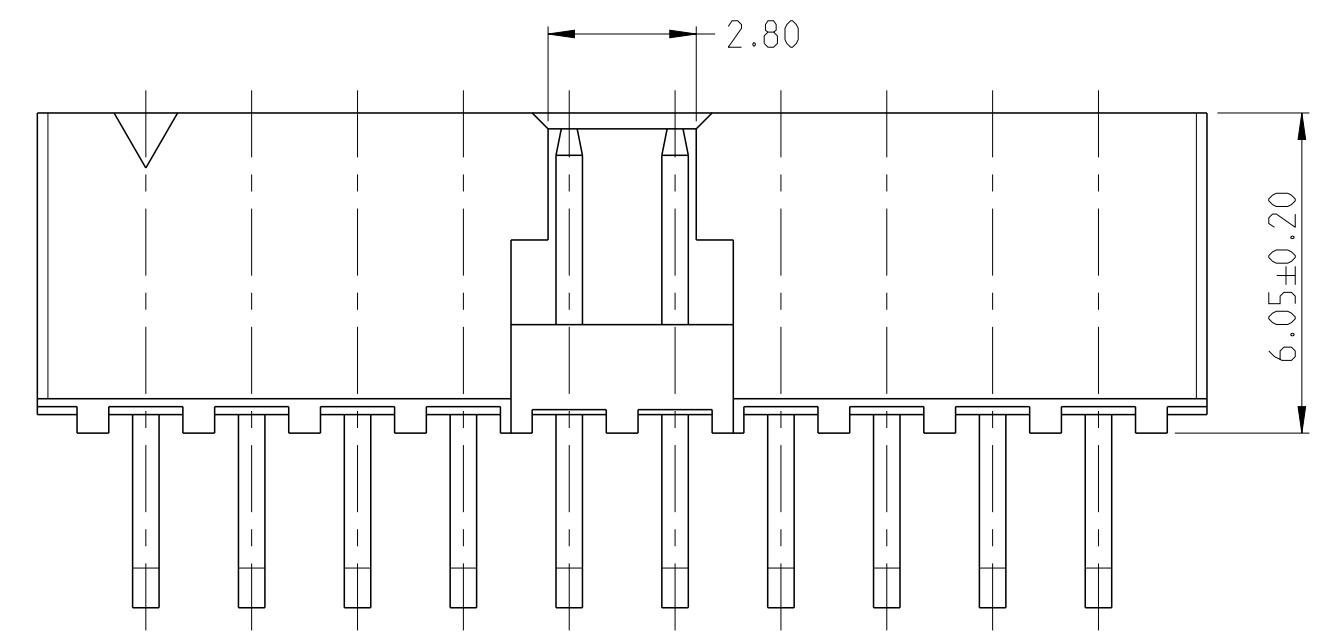
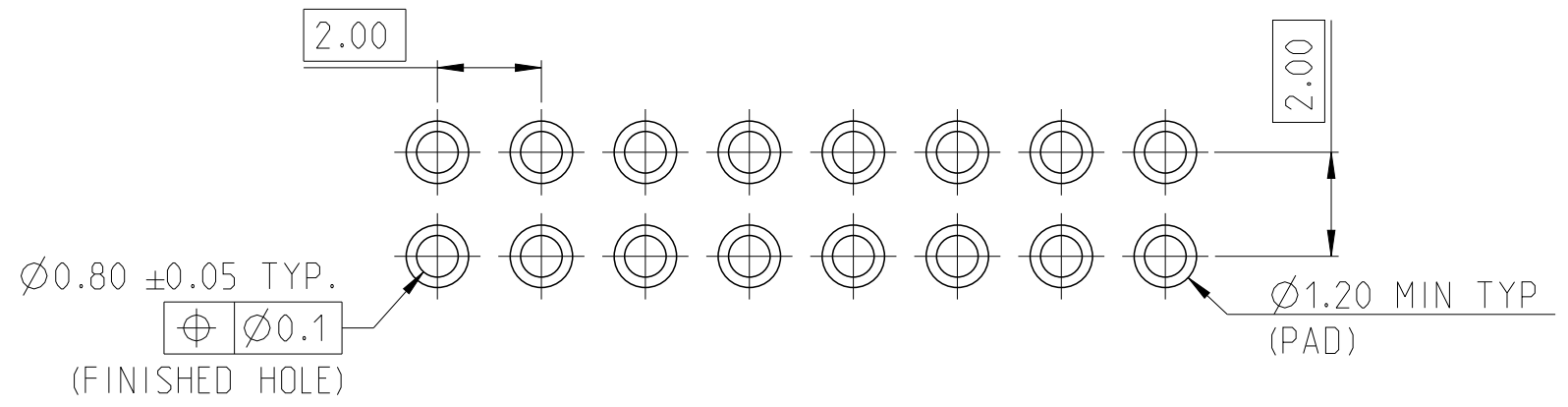


REVISIONS					
P	LTR	DESCRIPTION	DATE	DWN	APVD
A		RELEASE TO PRODUCTION	29NOV2019	AY	PS
A1		REMOVE POSITION 4	04JUN2020	AY	PS

NOTES:  
 1. MATERIAL  
 HOUSING : HIGH TEMPERATURE THERMOPLASTIC, UL94-V0; COLOR- BLACK  
 POST : COPPER ALLOY  
 FINISH :  
 MATING SIDE: MIN. 0.76 µm GOLD OVER NICKEL UNDER PLATING.  
 SOLDER SIDE: MIN. 2.0 µm TIN OVER NICKEL UNDER PLATING.  
 2. PACKAGING: TUBE  
 △ TOLERANCE NOT CUMULATIVE.



RECOMMENDED PCB HOLE PATTERN FOR THROUGH HOLE WAVE



RECOMMENDED PCB HOLE PATTERN FOR THROUGH HOLE REFLOW /PIN-IN-PASTE

2-2842168-0 AS SHOWN

52.10	51.40	50	5-2842168-0
50.10	49.40	48	4-2842168-8
48.10	47.40	46	4-2842168-6
46.10	45.40	44	4-2842168-4
44.10	43.40	42	4-2842168-2
42.10	41.40	40	4-2842168-0
40.10	39.40	38	3-2842168-8
38.10	37.40	36	3-2842168-6
36.10	35.40	34	3-2842168-4
34.10	33.40	32	3-2842168-2
32.10	31.40	30	3-2842168-0
30.10	29.40	28	2-2842168-8
28.10	27.40	26	2-2842168-6
26.10	25.40	24	2-2842168-4
24.10	23.40	22	2-2842168-2
22.10	21.40	20	2-2842168-0
20.10	19.40	18	1-2842168-8
18.10	17.40	16	1-2842168-6
16.10	15.40	14	1-2842168-4
14.10	13.40	12	1-2842168-2
12.10	11.40	10	1-2842168-0
10.10	9.40	8	2842168-8
8.10	7.40	6	2842168-6
DIM "F"	DIM "E"	POS.	TE PN

CONTACT PIN	2
HOUSING	1
DESCRIPTION	ITEM NO.

THIS DRAWING IS A CONTROLLED DOCUMENT.		DWN 09JUL2019 ANKIT YADAV
		CHK 12AUG2019 KARTHIK JK
		APVD 13AUG2019 PRASHANTH S.
DIMENSIONS: mm		PRODUCT SPEC
TOLERANCES UNLESS OTHERWISE SPECIFIED:		APPLICATION SPEC
0 PLC ± -		108-64040
1 PLC ± -		114-32259
2 PLC ± 0.25		
3 PLC ± -		
4 PLC ± -		
ANGLES ± 2°		
FINISH	SEE NOTES	
MATERIAL	SEE NOTES	
CUSTOMER DRAWING		SCALE 7:1 SHEET 1 OF 1 REV A1

<b>STE</b> TE Connectivity			
NAME AMPMODU 2mm SHROUDED HEADER, DUAL ROW, RIGHT ANGLE, 0.76 Au, TUBE			
SIZE	CAGE CODE	DRAWING NO	RESTRICTED TO
A2	00779	C= 2842168	-

# Mouser Electronics

Authorized Distributor

Click to View Pricing, Inventory, Delivery & Lifecycle Information:

[TE Connectivity:](#)

[1-2842168-2](#)