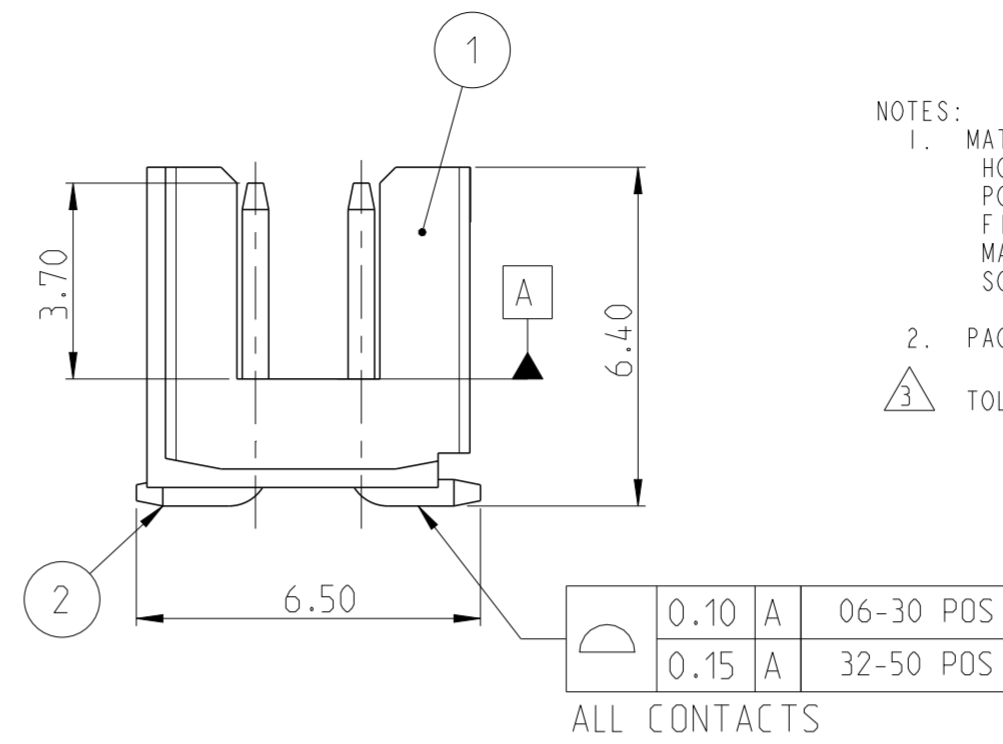
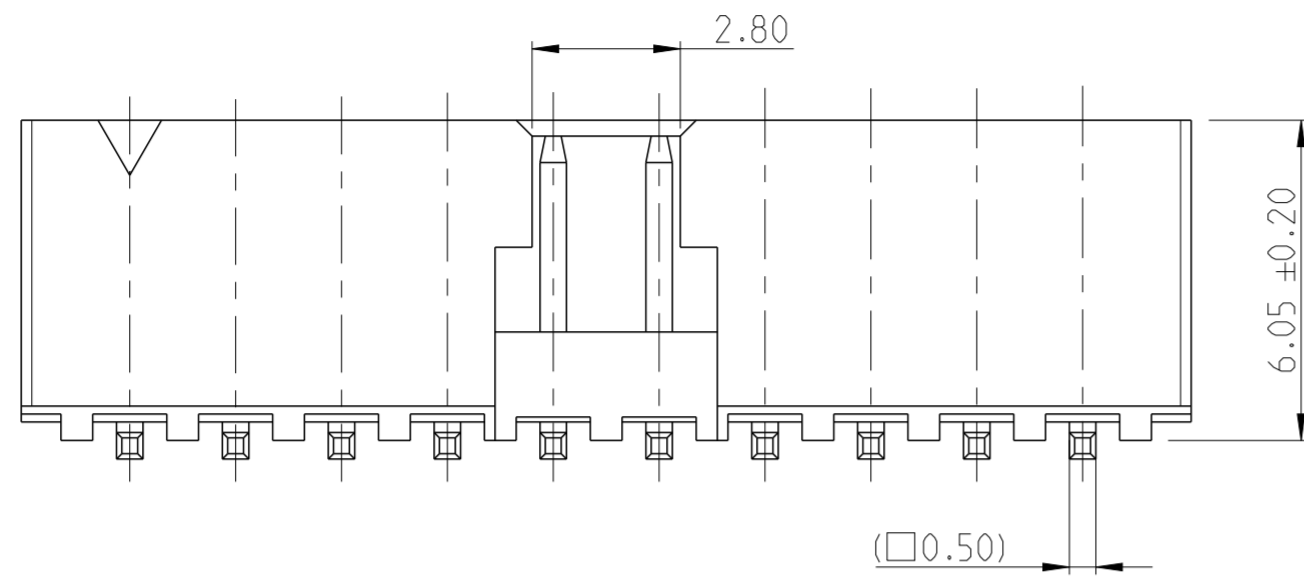
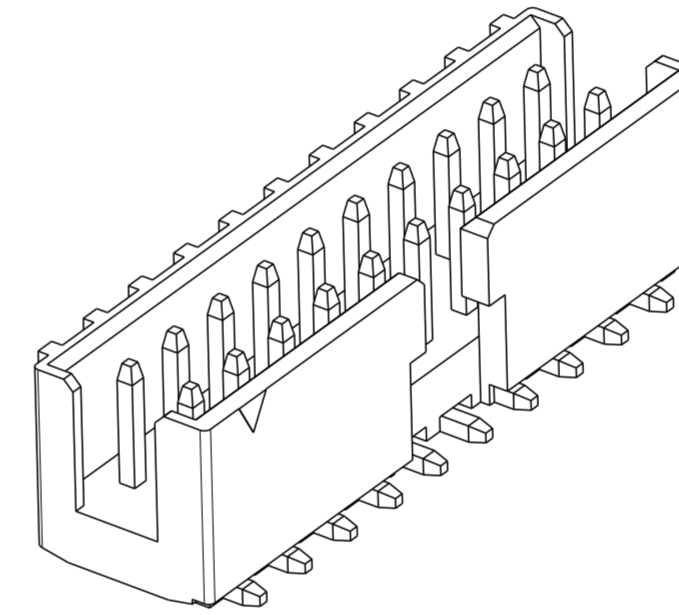
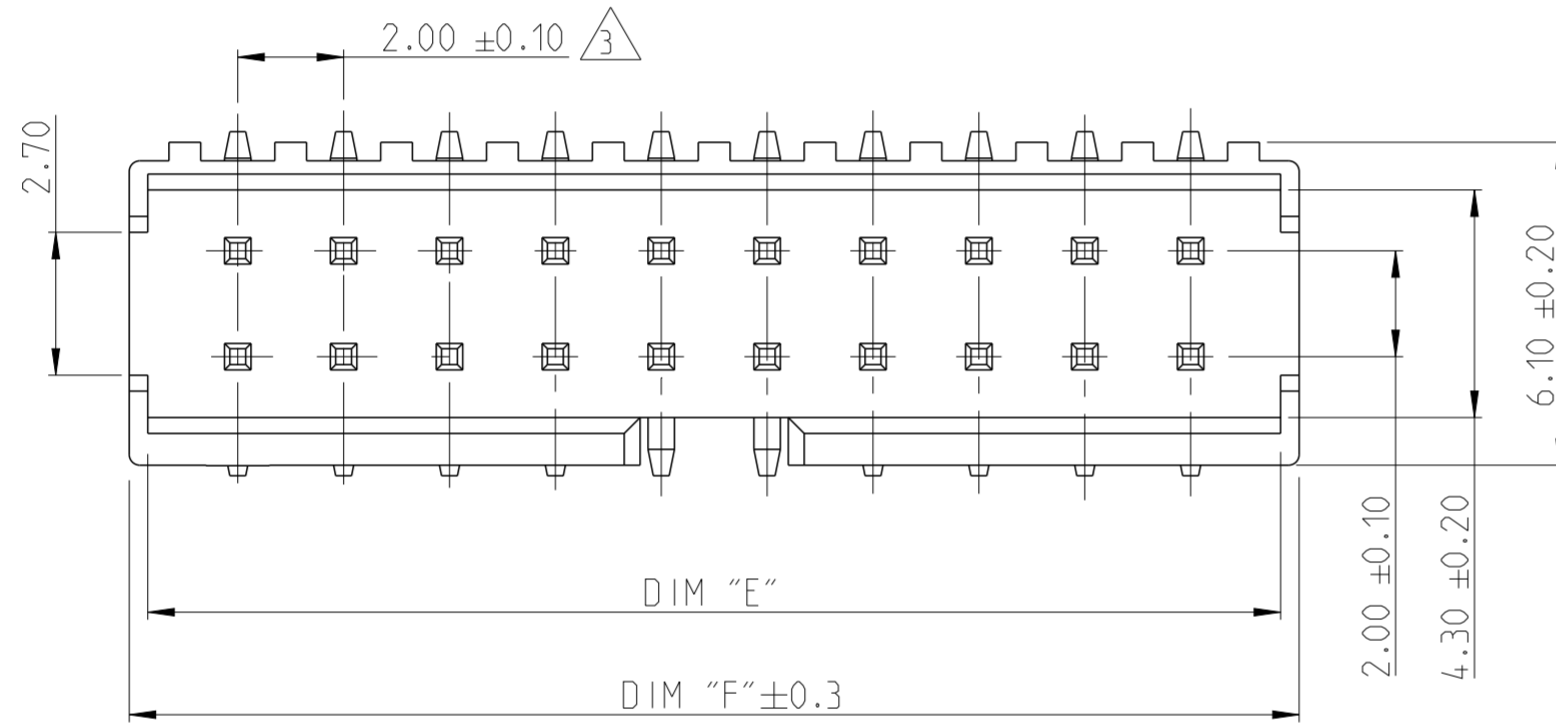


| REVISIONS | | | | | |
|-----------|-----|-----------------------|-----------|-----|------|
| P | LTR | DESCRIPTION | DATE | DWN | APVD |
| | A | RELEASE TO PRODUCTION | 06MAY2020 | AY | PS |
| | | | | | |
| | | | | | |

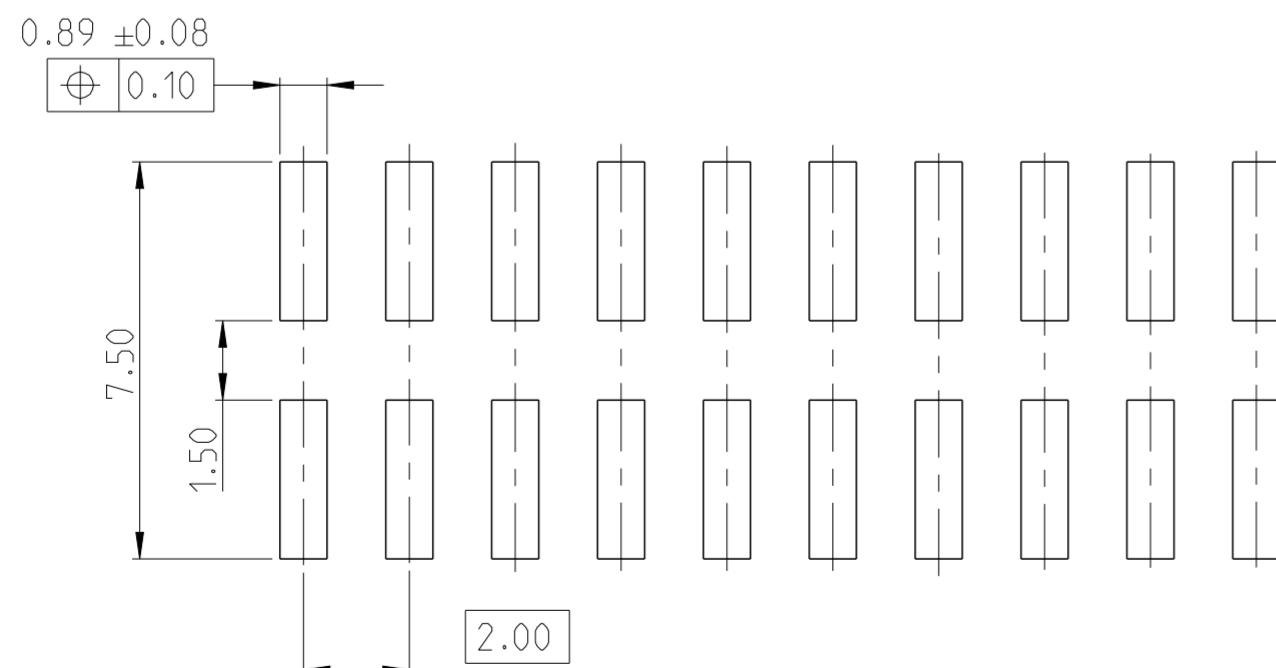


- NOTES:
- MATERIAL
 HOUSING : HIGH TEMPERATURE THERMOPLASTIC, UL94-V0; COLOR- BLACK
 POST : COPPER ALLOY
 FINISH :
 MATING SIDE: MIN. 0.76 μm GOLD OVER NICKEL UNDER PLATING.
 SOLDER SIDE: MIN. 2.0 μm TIN OVER NICKEL UNDER PLATING.
 - PACKAGING: TUBE
- TOLERANCE NOT CUMULATIVE.



2-2373378-0 AS SHOWN

| | | | |
|---------|---------|------|-------------|
| 52.10 | 51.40 | 50 | 5-2373378-0 |
| 50.10 | 49.40 | 48 | 4-2373378-8 |
| 48.10 | 47.40 | 46 | 4-2373378-6 |
| 46.10 | 45.40 | 44 | 4-2373378-4 |
| 44.10 | 43.40 | 42 | 4-2373378-2 |
| 42.10 | 41.40 | 40 | 4-2373378-0 |
| 40.10 | 39.40 | 38 | 3-2373378-8 |
| 38.10 | 37.40 | 36 | 3-2373378-6 |
| 36.10 | 35.40 | 34 | 3-2373378-4 |
| 34.10 | 33.40 | 32 | 3-2373378-2 |
| 32.10 | 31.40 | 30 | 3-2373378-0 |
| 30.10 | 29.40 | 28 | 2-2373378-8 |
| 28.10 | 27.40 | 26 | 2-2373378-6 |
| 26.10 | 25.40 | 24 | 2-2373378-4 |
| 24.10 | 23.40 | 22 | 2-2373378-2 |
| 22.10 | 21.40 | 20 | 2-2373378-0 |
| 20.10 | 19.40 | 18 | 1-2373378-8 |
| 18.10 | 17.40 | 16 | 1-2373378-6 |
| 16.10 | 15.40 | 14 | 1-2373378-4 |
| 14.10 | 13.40 | 12 | 1-2373378-2 |
| 12.10 | 11.40 | 10 | 1-2373378-0 |
| 10.10 | 9.40 | 8 | 2373378-8 |
| 8.10 | 7.40 | 6 | 2373378-6 |
| DIM "F" | DIM "E" | POS. | TE PN. |



RECOMMENDED PCB PATTERN

| | |
|-------------|----------|
| CONTACT PIN | 2 |
| HOUSING | 1 |
| DESCRIPTION | ITEM NO. |

| | | |
|--|--|--------------------------------|
| THIS DRAWING IS A CONTROLLED DOCUMENT. | | DWN 11NOV2019 ANKIT YADAV |
| | | CHK 25NOV2019 KARTHIK JK |
| | | APVD 27NOV2019 PRASHANTH S. |
| DIMENSIONS: mm | | PRODUCT SPEC |
| TOLERANCES UNLESS OTHERWISE SPECIFIED: | | 108-64040 |
| 0 PLC ± | | APPLICATION SPEC |
| 1 PLC ± | | 114-32259 |
| 2 PLC ±0.25 | | WEIGHT |
| 3 PLC ± | | - |
| 4 PLC ± | | CUSTOMER DRAWING |
| ANGLES ±2° | | SCALE 5:1 |
| FINISH | | SHEET 1 OF 1 |
| SEE NOTES | | REV A |

| | | | |
|---|-----------|------------|---------------|
| TE Connectivity | | | |
| NAME AMPMODU 2mm SHROUDED HEADER DUAL ROW, VERTICAL SMD, 0.76 Au,TUBE | | | |
| SIZE | CAGE CODE | DRAWING NO | RESTRICTED TO |
| A2 | 00779 | C-2373378 | - |

Mouser Electronics

Authorized Distributor

Click to View Pricing, Inventory, Delivery & Lifecycle Information:

[TE Connectivity:](#)

[1-2373378-0](#)