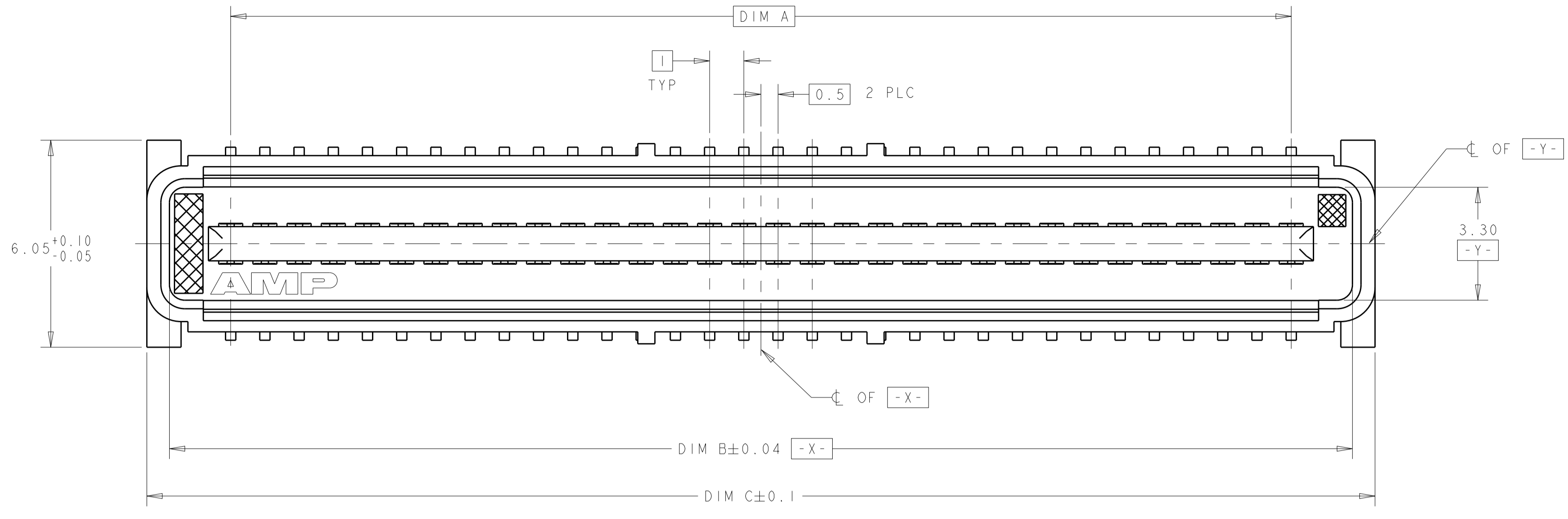
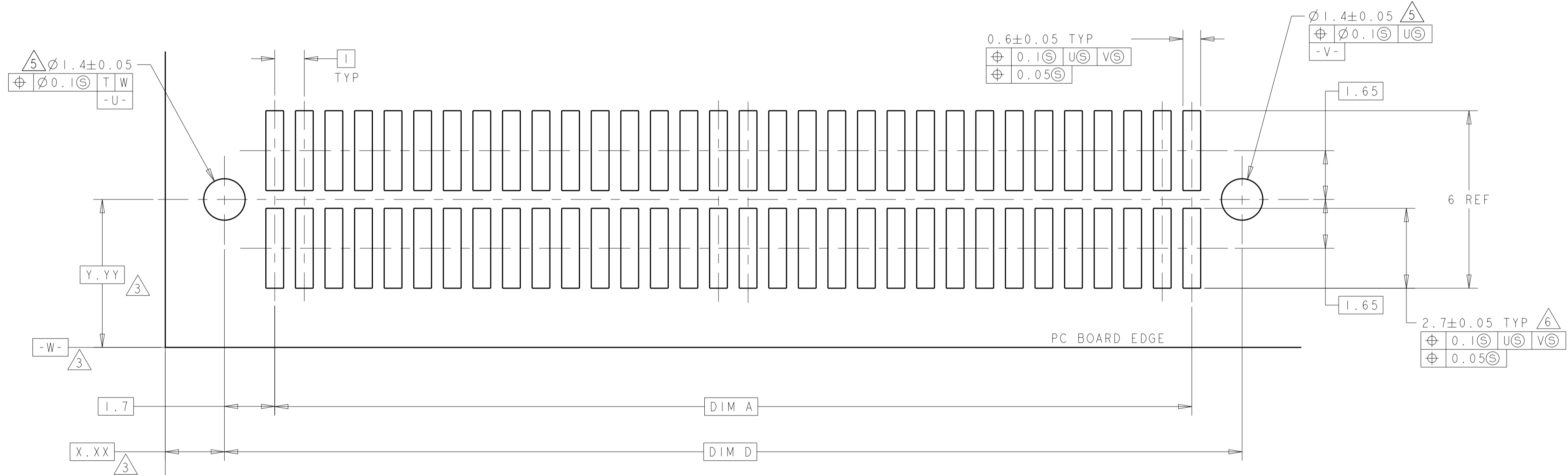
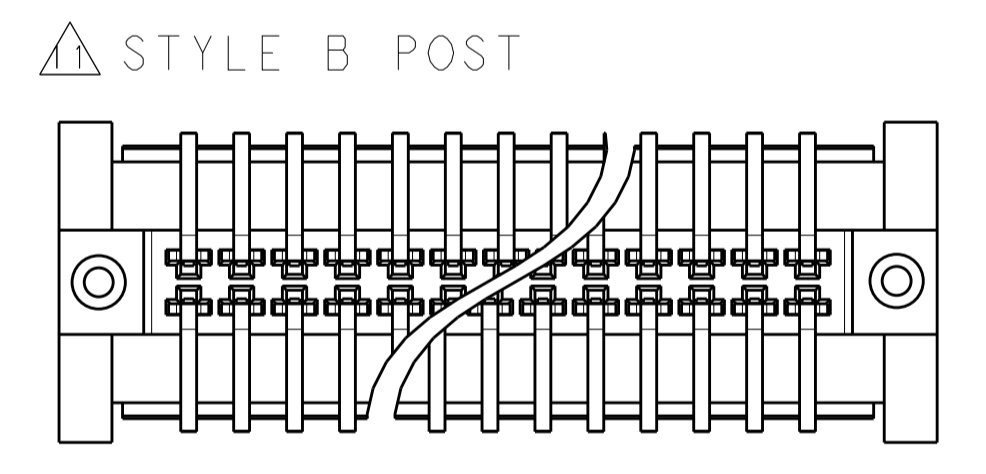
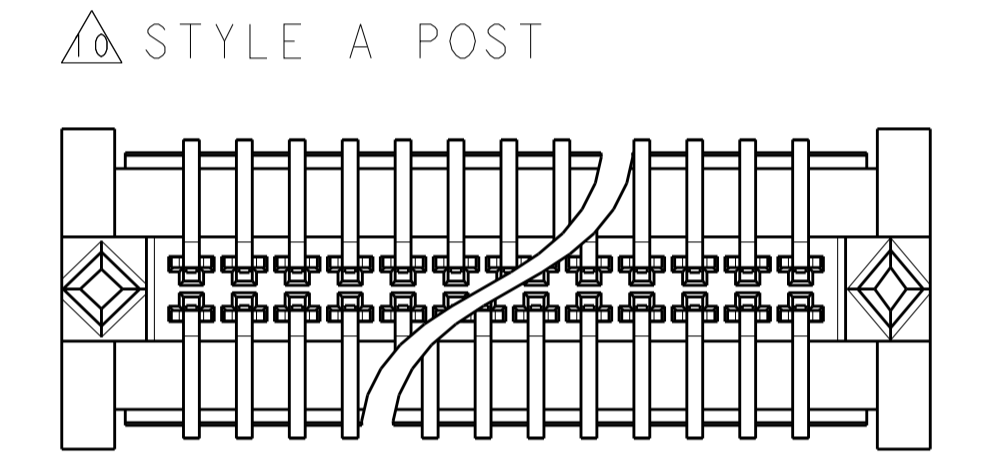
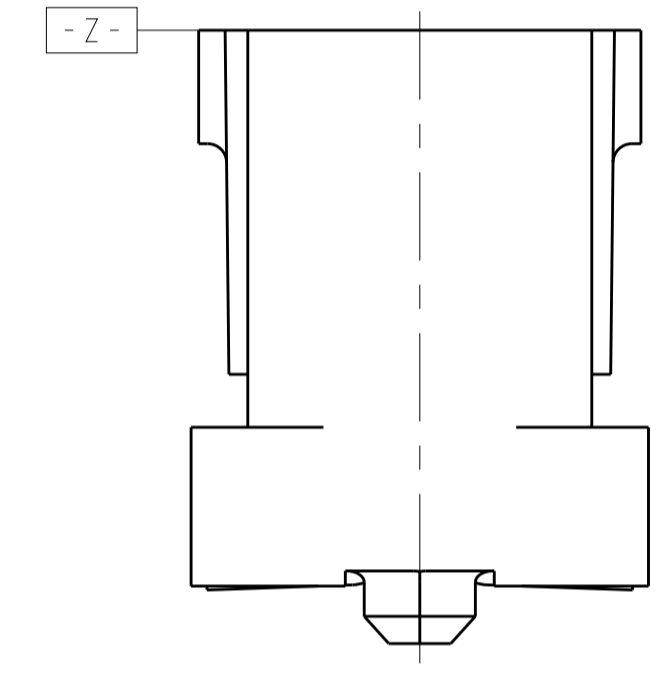
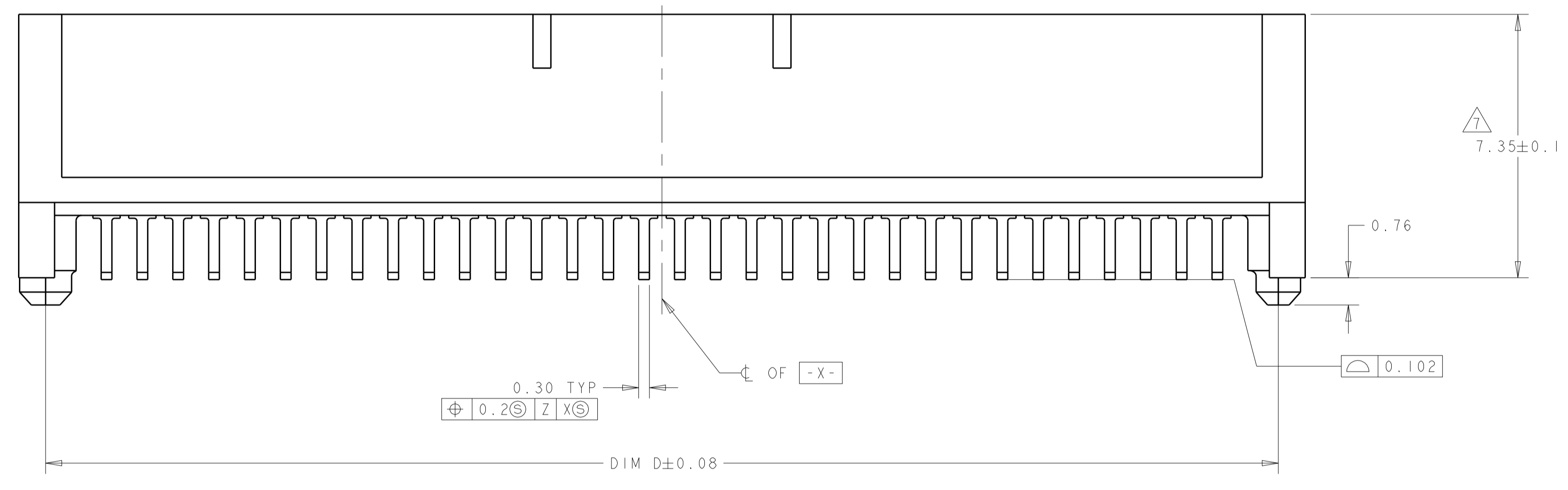


REVISIONS				
P.	LTM	DESCRIPTION	DATE	OWN APVD
G		REV PER ECR-14-016951	11FEB2015	J.T W.H



- HOUSING MATERIAL: LIQUID CRYSTAL POLYMER, COLOR; BLACK. CONTACT MATERIAL: PHOSPHOR BRONZE.
  - CONTACT FINISH: NICKEL UNDERPLATE ALL OVER, MATING SURFACES PLATED TO MEET PLI PERFORMANCE REQUIREMENTS OF INDUSTRY SPECIFICATION EIA-700AAAB, SOLDER TAILS PLATED TIN-LEAD.
  - DATUM LOCATIONS AND BASIC DIMENSIONS TO BE ESTABLISHED BY THE CUSTOMER. CONSULT AMP ENGINEERING WHEN PLACING MULTIPLE CONNECTORS ON A PC BOARD.
  - PACKAGED IN TAPE ON REEL PER EIA-481.
  - 1.5 MIN DIAMETER HOLE SHOULD BE USED IF USING POST STYLE "A" AND PLACING ON PCB WITH VACUUM PLACEMENT EQUIPMENT.
  - SHORTER SOLDER LANDS MAY BE USED PER EIA 700AAAB, HOWEVER 2.7 LENGTH ASSURES OPTIMUM SOLDER FILLET REGARDLESS OF MANUFACTURER OF CONNECTOR.
  - REFERRED TO AS DIM N IN EIA 700AAAB SPECIFICATION.
  - CONTACT FINISH: 0.002 MINIMUM BRIGHT TIN-LEAD (93-7) ON SOLDER AREA, 0.00127 MINIMUM GOLD ON MATING AREA, BOTH OVER 0.00127 MINIMUM NICKEL ON ENTIRE CONTACT.
- OBSELETE PART NUMBER.
- SQUARE AND DIAMOND SHAPED POSTS
  - ROUND SHAPED POSTS



RECOMMENDED PC BOARD LAYOUT

POST STYLE	FINISH	DIM D	DIM C	DIM B	DIM A	STACK HGTS	POS	PART NO
1	8	44.4	45.9	44.58	41	9, 11, 14	84	3-120526-2
1	2	34.4	35.9	34.58	31	9, 11, 14	64	3-120526-1
1	2	44.4	45.9	44.58	41	9, 11, 14	84	2-120526-2
1	2	34.4	35.9	34.58	31	9, 11, 14	64	2-120526-1
1	8	44.4	45.9	44.58	41	9, 11, 14	84	1-120526-2
1	2	34.4	35.9	34.58	31	9, 11, 14	64	1-120526-1
9	2	44.4	45.9	44.58	41	9, 11, 14	84	120526-2
9	2	34.4	35.9	34.58	31	9, 11, 14	64	120526-1

THIS DRAWING IS A CONTROLLED DOCUMENT. DWN J. REED 27/11/97  
 CHK L. VO 27/11/97  
 APVD - NAME -

DIMENSIONS: mm  
 TOLERANCES UNLESS OTHERWISE SPECIFIED:  
 0 PLC ±  
 1 PLC ±0.03  
 2 PLC ±0.03  
 3 PLC ±0.03  
 4 PLC ±  
 ANGLES 40° 30'

MATERIAL 1 SEE TABLE

PRODUCT SPEC 502-1079  
 APPLICATION SPEC 114-25045  
 WEIGHT -  
 CUSTOMER DRAWING

SCALE 10:1 SHEET 1 OF 1 REV G

**TE** TE Connectivity  
 PLUG ASSY, 1.0mm FH(IEEE1386)  
 CONNECTOR

SIZE A1 CAGE CODE DRAWING NO. C=120526 RESTRICTED TO

# Mouser Electronics

Authorized Distributor

Click to View Pricing, Inventory, Delivery & Lifecycle Information:

[TE Connectivity:](#)

[120526-1](#)