

BRUSHLESS DC FANS

F412R

FEATURES

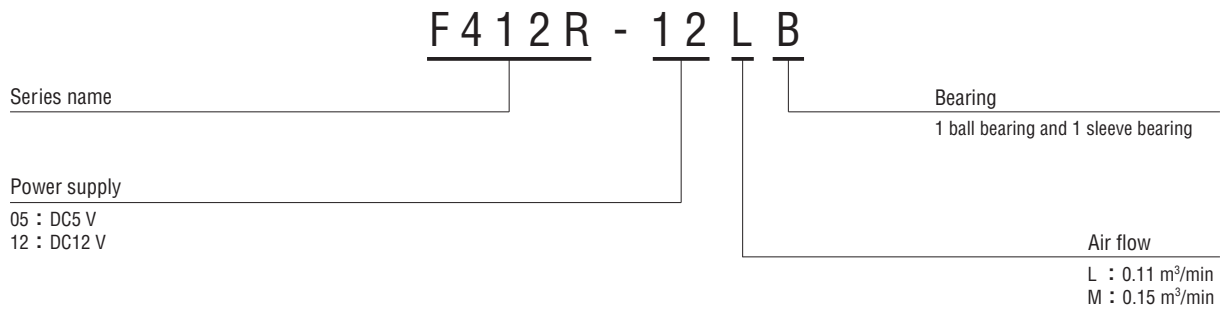
- Low noise 16 dB (A)
- Light weight (approx. 20 g)

STRUCTURE

- Frame and impeller
ABS/PBT alloy
- Bearing
1 ball bearing and 1 sleeve bearing



PART NUMBER DESIGNATION



LIST OF PART NUMBERS

Bearing	Power supply	Part number
B	DC5 V	F412R-05LB
	DC12 V	F412R-12LB
	DC5 V	F412R-05MB
	DC12 V	F412R-12MB

※ Verify the above part numbers when placing orders.

F412R

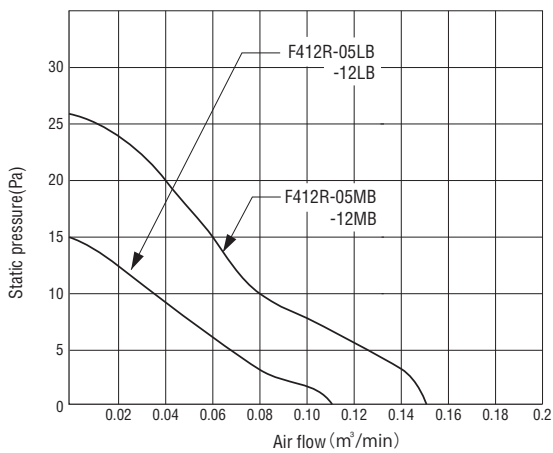
BRUSHLESS DC FANS

STANDARD SPECIFICATIONS

Item	F412R-05LB	F412R-05MB	F412R-12LB	F412R-12MB
Rated voltage	DC5 V		DC12 V	
Voltage range	4.5 ~ 5.7 V	4.2 ~ 5.7 V	10.2 ~ 13.8 V	10.2 ~ 13.8 V
Rated current	0.08 A	0.10 A	0.04 A	0.06 A
Rotating speed	4200 min ⁻¹	5400 min ⁻¹	4200 min ⁻¹	5400 min ⁻¹
Air flow	0.11 m ³ /min	0.15 m ³ /min	0.11 m ³ /min	0.15 m ³ /min
Static pressure	15 Pa	26 Pa	15 Pa	26 Pa
Noise	16 dB (A)	23 dB (A)	16 dB (A)	23 dB (A)
Use environment	-10 ~ +60 °C (35 ~ 85 %RH)			
Storage environment	-20 ~ +70 °C (35 ~ 85 %RH)			
Net weight	Approx. 20 g			

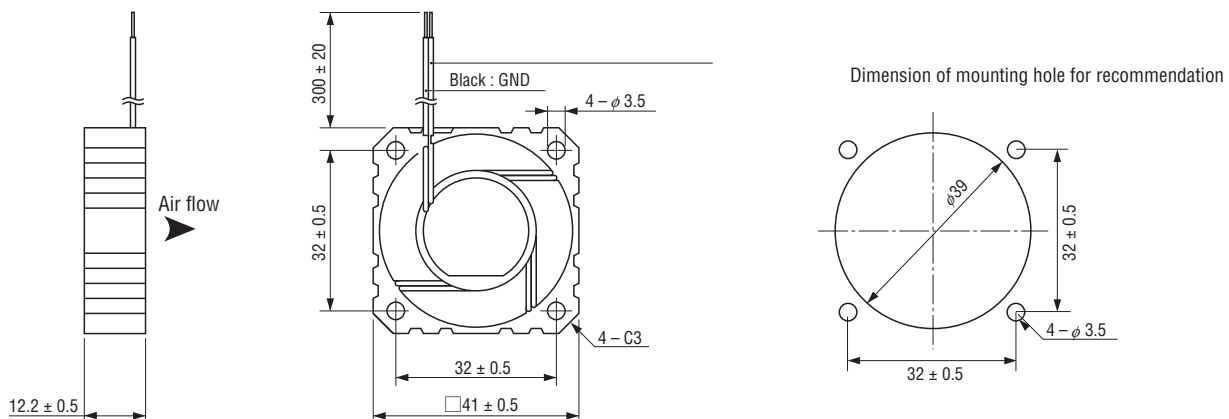
AIR FLOW PERFORMANCE CURVES

※ The specifications above are typical values measured on the conditions of no-loading running with rated voltage in the circumstances of 25 °C ± 2 °C, 35~ 85 %RH. Please contact us if you would like to check the specifications in different circumstances.



OUTLINE DIMENSIONS

(Unit: mm)



Mouser Electronics

Authorized Distributor

Click to View Pricing, Inventory, Delivery & Lifecycle Information:

[Nidec:](#)

[F412R-12MB](#) [F412R-05MB](#) [F412R-05LB](#) [F412R-12LB](#)