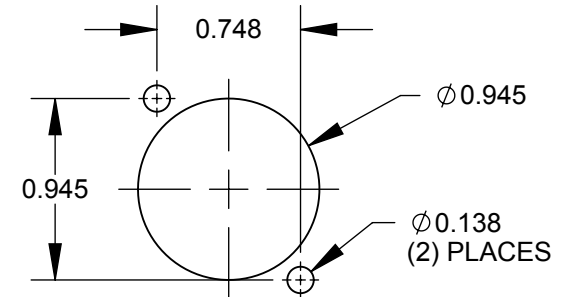
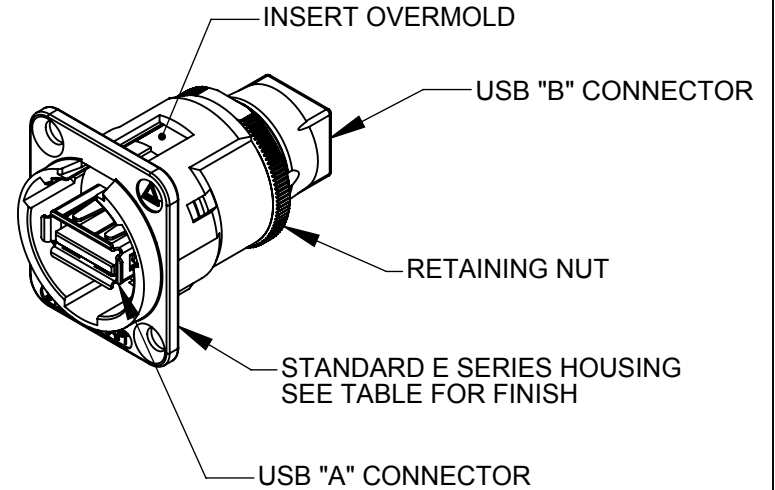
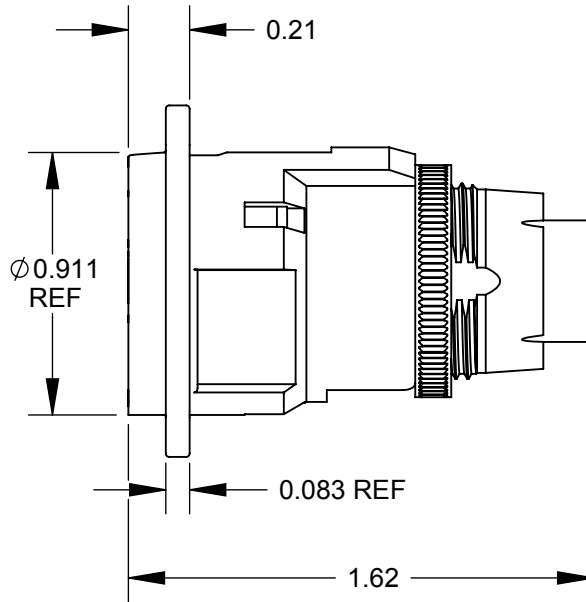


✓  $\varnothing 0.138$  THRU  
 $\varnothing 0.230 \times 82^\circ$   
 (2) PLACES  
 REF



**NOTES:**

- MATERIALS:**  
 INSERT OVERMOLD - THERMOPLASTIC, BLACK  
 RETAINING NUT - BRASS, NICKEL PLATED  
 HOUSING - ZINC ALLOY
- THIS PRODUCT IS RoHS COMPLIANT.

PART NUMBER	HOUSING FINISH
EHUSBABX	NICKEL
EHUSBABBX	BLACK CHROME

RECOMMENDED  
PANEL CUT-OUT

**CUSTOMER DRAWING**

☆ STAR SYMBOL DENOTES CRITICAL DIMENSION  UNLESS OTHERWISE SPECIFIED 1. ALL DIMENSIONS IN INCHES - TWO PLACE DECIMALS $\pm 0.01$ - THREE PLACE DECIMALS $\pm 0.005$ - ANGLES $\pm 1^\circ$					THIS DRAWING DESCRIBES A DESIGN CONSIDERED PROPRIETARY IN NATURE, DEVELOPED AND MANUFACTURED BY SWITCHCRAFT INC. AND IS RELEASED ON A CONFIDENTIAL BASIS FOR IDENTIFICATION PURPOSES ONLY.				
					SIZE	WIDTH	MULT	LBS/M	TEMPER
FINISH			MATERIAL						
SPEC No.			SPEC No.						
FIRST USED ON			SCALE						
			1.5:1						
DATE DRAWN	BY	CHKD	APVD						
5/5/09	RS	RS	TJK						
			5/5/09	7/15/09					
REV			ECO NUMBER		DATE				
A			26076		7/15/06				
			BY	APVD					
			RS	TJK					
REVISIONS									
DO NOT SCALE DRAWING									
NAME			PART No.		REV				
E SERIES CONNECTOR, USB A FEMALE TO B FEMALE, RoHS			EHUSBAB_X SERIES		A				



# Mouser Electronics

Authorized Distributor

Click to View Pricing, Inventory, Delivery & Lifecycle Information:

[Switchcraft:](#)

[EHUSBABBX](#) [EHUSBABX](#) [EHUSBABXPKG](#) [EHUSBABBXPKG](#)